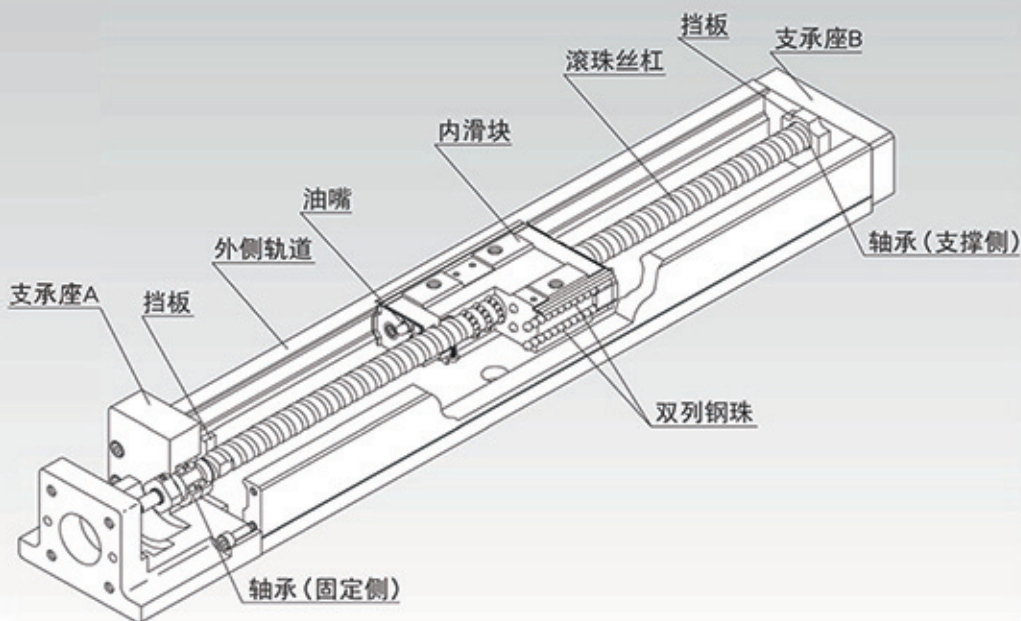


目錄 Index BSQ8系列 (圓形固定側)

- 支撐座選購導引 Order Guidance for Support unit 002
- BSQ8系列 (圓形固定側) SupportUniBSQ8(fixed-side reund type) 003
- BK系列 (方形固定側) Support Unit BK (fixed-side rectangular type) 004
- BF系列 (方形支撐側) Support Unit BF (Supportcd-side rectangular type)005
- EK系列 (凸形固定側) Support Unit EK (fixed-side rectangular type)006
- EK系列 (凸形固定側) Support Unit EK (fixed-side rectangular type)007
- EF系列 (凸形支撐側) Support Unit EF (Supportcd-side rectangular typ)008
- FK系列 (圓形固定側) Support Unit FK (fixed-side reund type)009
- FF系列 (圓形支撐側) Support Unit FF (Supportcd-side rectangular type) 010
- FF系列 (圓形支撐側) Support Unit FF (Supportcd-side rectangular type) 011
- AK系列 (固定側) Support Unit AK (fixed-side rectangular type)012
- AK系列 (固定側) Support Unit AK (fixed-side rectangular type)013
- AF系列(支撐側)Support Unit AF (Supportcd-side rectangular type)014
- 鎖緊螺母Lock nut 015
- 建議軸端加工尺寸 (固定側) Recommended shaft end shape016
- 建議軸端加工尺寸 (固定側) Recommended shaft end shape017
- 支撐座個廠牌型號對照表 018
- 監務測試 (30小時) Salt Spray Test (30Hours)019
- 我們的檢測設備 Our testing equipment 020
- 支承單元 Bearing unit 021

LM滾動導軌+滾珠絲杠=一體式智能組合單元



LM滾動導軌智能組合單元KR型的結構

支撐座-訂購導引

Order Guidance for Support Unit

適用螺桿 外徑 Applicable BallScrew OD	軸向負荷 Allowable Axial load (kgf)	靜負荷 Static load (kgf)	極限轉速 Limiting RPM (RPM)	固定側 Fixed-side			支撐側 Supported-side	
				適用型號 Applicable model	C5 使用軸承 B earings 1對/1pair	低轉速、低 負載 C7 使用軸承 B earings 2個/2pcs	適用型號 Applicable model	使用軸承 B earings 1個/1pc
φ 6	80	75	50000	FK4 EK4	724 A DF P5	-	-	-
φ 8	100 150	90 170	50000	FK5 EK5 FK6 EK6	705 A DF P5 706 A DF P5	605 ZZ/Z3 606 ZZ/Z3	FF6 EF6	606 ZZ/Z3
φ 10- φ 12	200	190	40000	FK8 EK8	708A DF P5	608 ZZ/Z3	FF6 EF8	606 ZZ/Z3
φ 10- φ 15	300	430	30000	B K10K10 EK10 AK10	7000 A DF P5	6000 ZZ/Z3	BF10 FF10 EF10 AF10	608 ZZ/Z3
φ 14- φ 18	350	450	30000	B K12K12 EK12 AK12	7001A DF P5	6001ZZ/Z3	BF12 FF12 EF12 AF12	6000 ZZ/Z3
φ 20	400	570	25000	B K15K15 EK15 AK15	7002A DF P5	6002ZZ/Z3	BF15 FF15 EF15 AF15	6002ZZ/Z3
φ 25- φ 28	600 500 700	1630 1040 2260	14000 20000 12000	B K17K17 B K20 EK20 AK20 FK20	7203 B DF P5 7004 A DF P5 7204 B DF P5	6203 ZZ/Z3 6004 ZZ/Z3 6204 ZZ/Z3	BF17 FF17 BF20 EF20 AF20 FF20	6203 ZZ/Z3 6004 ZZ/Z3 6204 ZZ/Z3
φ 30- φ 36	800	2820	9000	B K25K25 AK25	7205 B DF P5	6205 ZZ/Z3	BF25 FF25 AF25	6205 ZZ/Z3
φ 40	1000	4070	8000	B K30K30	7206 B DF P5	6206 ZZ/Z3	BF 30 FF30	6206 ZZ/Z3
φ 45	1500	5540	7000	B K35	7207 B DF P5	6207 ZZ/Z3	BF35	6207 ZZ/Z3
φ 50	2000	6850	6000	B K40	7208 B DF P5	6208 ZZ/Z3	BF40	6208 ZZ/Z3

備注(Note):

1. 安裝方式若采固定端+固定端,軸向負荷值須再*2 (軸向負荷及極限轉速欄數值,僅供參考,實際數值請參閱各廠牌軸承型錄)
 If mounting type by Fixed-side and Fixed-side,the axial load need to multiplied by two.(The digit of axial load and RPM in the table is for reference only,please refer to each brand's bearing catalogue for actual information)

BF系列(方型支撐側)

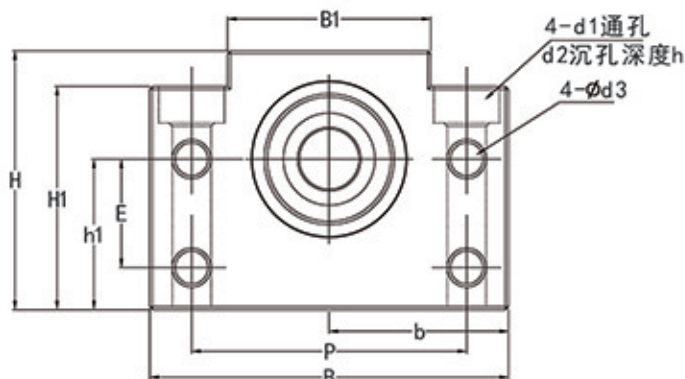
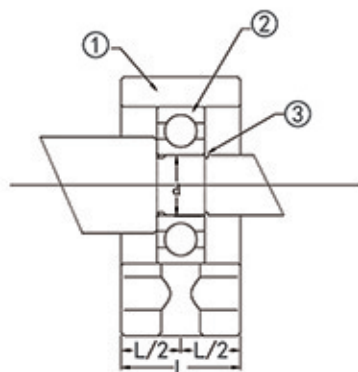
Support Unit BF

(Supported-side rectangular type)



編號/Part No.	部件名/Part Name	數量/Qty
1	軸承座本體/Housing	1
2	軸承/Bearing	1
3	C型扣環/Snap ring	1

BF



單位/Unit:mm

型號 Model No.	軸徑 Shaft diameter r	L	B	H	b	h1	B1	H1	E	P	d3	d1	d2	h	使用C型扣 環 Snap ring	重量 Weight (kgs)
					±0.02	±0.02										
BF10	8	20	60	39	30	22	34	32.5	15	46	5.5	6.6	10.8	5	S 08	0.29
BF12	10	20	60	43	30	25	34	32.5	18	46	5.5	6.6	10.8	1.5	S 10	0.3
BF15	15	20	70	48	35	28	40	38	18	54	5.5	6.6	11	6.5	S 15	0.38
BF17	17	23	86	64	43	39	50	55	28	68	6.6	9	14	8.5	S 17	0.74
BF20	20	26	88	60	44	34	52	50	22	70	6.6	9	14	8.5	S 20	0.76
BF25	25	30	106	80	53	48	64	70	33	85	9	11	17.5	11	S 25	1.42
BF30	30	32	128	89	64	51	76	78	33	102	11	14	20	13	S 30	1.97
BF35	35	32	140	96	70	52	88	79	35	114	11	14	20	13	S 35	2.22
BF40	40	37	160	110	80	60	100	90	37	130	14	18	26	17.5	S 40	3.27

備注(Note):

C7級使用(6字頭)深溝球軸承軸向最大間隙0.005-0.01mm.

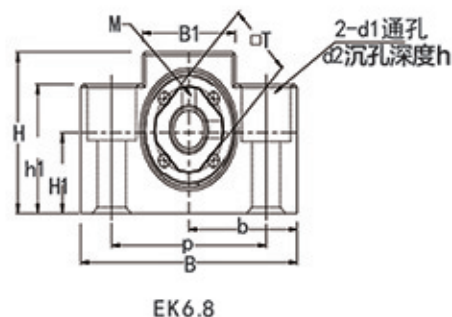
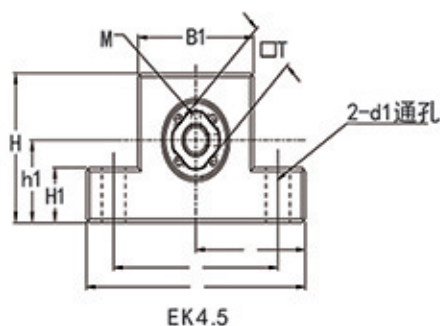
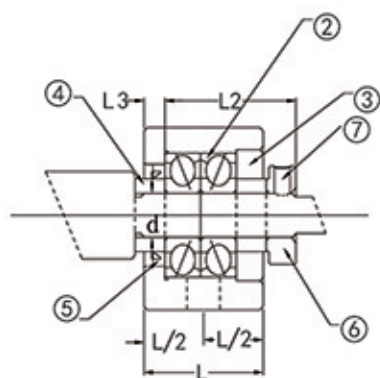
(The use of (prefix 6) deep groove ball bearing maximum axial clearance of 0.005-0.01mm.)



EK系列(凸型固定側) Support Unit EK (fixed-side rectangular type)

編號 / Part No.	部件名 / Part name	數量 / Qty
1	軸承座本體 / Housing	1
2	軸承 / Bearing	1組 / set
3	壓板 / Holding lid	1
4	隔離圈 / Collar	2
5	軸封 / Seal	2
6	鎖緊螺帽 / Lock nut	1組 / set
7	內六角止付螺母 Hexagon socket-head screws	1

EK



單位/Unit:mm

型號 Model No.	軸徑 Shaft diameter d	L	L1	L2	L3	B	H	b	h1	B1	H1	P	d1	d2	h	m	T	重量 Weight (kgs)
								±0.02	±0.02									
EK4	4	15	5.5	18.5	2	34	19	17	10	18	7	26	4.5	-	-	M3	10	0.06
EK5	5	16.5	5.5	19.5	2.5	36	21	18	11	20	8	28	4.5	-	-	M3	11	0.08
EK6	6	20	5.5	22	3.5	42	25	21	13	18	20	30	5.5	9.5	11	M3	12	0.14
EK8	8	23	7	26	4	52	32	26	17	25	26	38	6.6	11	12	M3	14	0.24

備注(Note):

- C7級使用(6字頭)深溝球軸承軸向最大間隙0.005-0.01mm。(The use of C7(prefix 6) deep groove ball bearing maximum axial clearance of 0.005-0.01mm.)
- C5級使用(7字頭)角接觸軸承經預壓處理,軸向0間隙。(The use of C5(prefix 7) by preloading angular contact bearings,axial clearance 0.)
- 軸承採用德國品牌,採用DF組裝最適宜滾珠絲杆使用。(The bearing is made of German brand, which is assembled by DF.)

EK系列(凸型固定側)

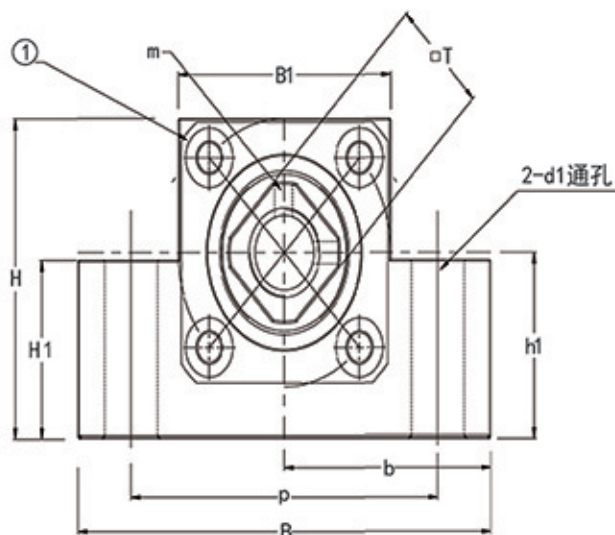
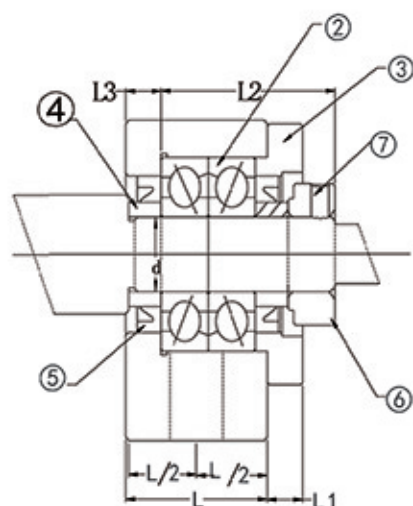
Support Unit EK

(fixed-side rectangular type)



編號 / Part No.	部件名 / Part name	數量 / Qty
1	軸承座本體 / Housing	1
2	軸承 / Bearing	1組 / set
3	壓板 / Holding lid	1
4	間隔圈 / Collar	2
5	軸封 / Seal	2
6	鎖緊螺帽 / Lock nut	1組 / set
7	內六角止付螺母	1

EK



單位/Unit:mm

型號 Model No.	軸徑 Shaft diameter d	L	L1	L2	L3	B	H	b		B1	H1	P	C1	C2	d1	d2	h	m	T	重量 Weight (kgs)
								±0.02	±0.02											
EK10	10	24	6	29.5	6	70	43	35	25	36	24	52	-	-	9	-	-	M3	16	0.46
EK12	12	24	6	29.5	6	70	43	35	25	36	24	52	-	-	9	-	-	M4	19	0.44
EK15	15	25	6	36	5	80	49	40	30	41	25	60	-	-	11	-	-	M4	22	0.55
EK20	20	42	10	50	10	95	58	47.5	30	56	25	75	-	-	11	-	-	M4	30	1.35
EK25	25	48	12	59	14	105	68	52.5	35	66	25	85	30	9	11	-	-	M6	35	1.92

備注(Notes):

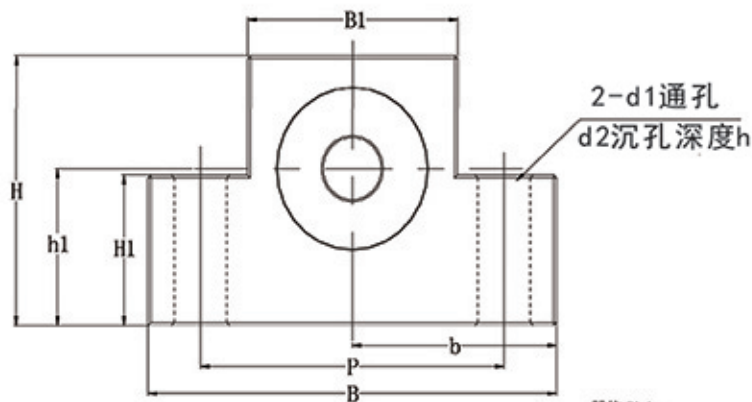
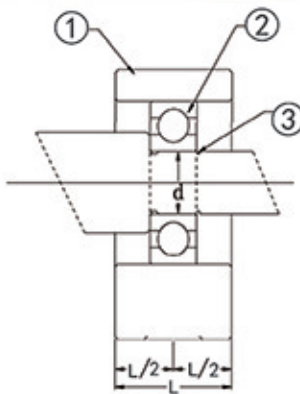
1. C7級使用(6字頭)深溝球軸承軸向最大間隙0.005-0.01mm。(The use of C7(prefix 6) deep groove ball bearing maximum axial clearance of 0.005-0.01 mm.)
2. C5級使用(7字頭)角接觸軸承經預壓處理,軸向0間隙。(The use of C5(prefix 7) by preloading angular contact bearings, axial clearance 0.)
3. 軸承採用德國品牌,採用DF組裝最適宜滾珠絲杆螺絲使用。(The bearing is made of German brand, which is assembled by DF.)



EF系列(凸型支撐側) Support Unit EF (Supported-side rectangular type)

編號/Part No.	部件名/Part Name	數量/Qty
1	軸承座本體/Housing	1
2	軸承/Bearing	1
3	C型扣環/Snap ring	1

EF



單位/Unit:mm

型號 Model No.	軸徑 Shaft diameter d	L	B	H	b	h1	B1	H1	P	d1	d2	h	使用C型扣環 Snap ring	重量 Weight (kgs)
					±0.02	±0.02								
EF4	3	10	34	19	17	10	18	7	26	4.5	-	-	S 03	
EF5	4	10	36	21	18	11	20	8	28	4.5	-	-	S 04	
EF6	6	12	42	25	21	13	18	20	30	5.5	9.5	11	S 06	0.1
EF8	6	14	52	32	26	17	25	26	38	6.6	11	12	S 06	0.16
EF10	8	20	70	43	35	25	36	24	52	9	-	-	S 08	0.35
EF12	10	20	70	43	35	25	36	24	52	9	-	-	S 10	0.35
EF15	15	20	80	49	40	30	41	25	60	9	-	-	S 15	0.4
EF20	20	26	95	58	47.5	30	56	25	75	11	-	-	S 20	0.65
EF25	25	30	105	68	52.5	35	66	25	85	11	-	-	S 25	0.95

單位/Unit:mm

型號 Model No.	軸徑 Shaft diameter d	L	B	H	b	h1	B1	H1	P	d1	d2	h	使用C型扣環 Snap ring	重量 Weight (kgs)
					±0.02	±0.02								
EF1022	8	20	70	40	35	22	36	21	52	9	-	-	S 08	0.32
EF1223	10	20	70	41	35	23	36	22	52	9	-	-	S 10	0.33
EF1526	15	20	80	46	40	26	41	21	60	9	-	-	S 15	0.38
EF1528	15	20	80	48	40	28	41	23	60	9	-	-	S 15	0.39

備注(Note):

C7級使用(6字頭)深溝球軸承軸向最大間隙0.005-0.01mm.
(The use of (prefix 6) deep groove ball bearing maximum axial clearance of 0.005-0.01mm.)

FF系列(圓型支撐側)

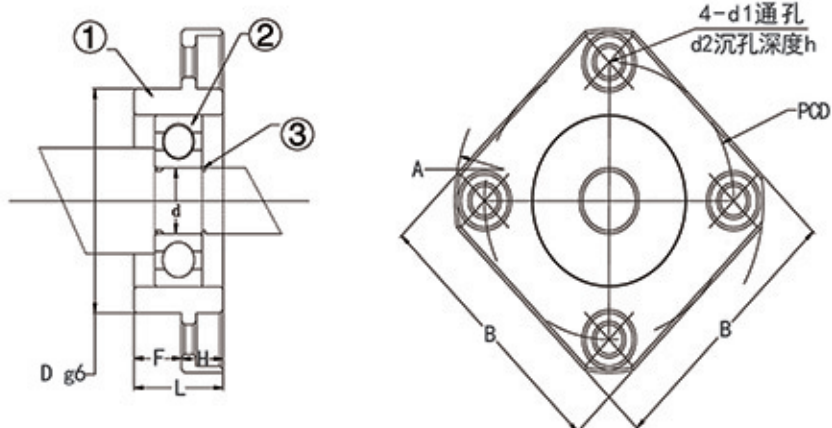
Support Unit FF

(Supported-side round type)



編號 / Part No.	部件名 / Part name	數量 / Qty
1	軸承座本體 / Housing	1
2	軸承 / Bearing	1組 / set
3	C型扣環 / Snap ring	1

FF



單位/Unit:mm

型號 Model No.	軸徑 Shaft diameter d	L	H	F	D g6	A	P. C. D	B	d1	d2	h	使用C型扣環 Snap ring	重量 Weight (kgs)
FF6	6	10	6	4	22	36	28	28	3.4	6.5	4	S 06	0.08
FF10	8	12	7	5	28	43	35	35	3.4	6.5	4	S 08	0.1
FF12	10	15	7	8	34	52	42	42	4.5	8	4	S 10	0.15
FF15	15	17	9	8	40	63	50	52	5.5	9.5	5.5	S 15	0.22
FF17	17	20	11	9	50	77	62	61	6.6	11	6.5	S 17	0.35
FF20	20	20	11	9	57	85	70	68	6.6	11	6.5	S 20	0.45
FF25	25	24	14	10	63	98	80	79	9	14	8.5	S 25	0.66
FF30	30	27	18	9	75	117	95	93	11	17	11	S 30	1.05

備注(Note):

C7級使用(6字頭)深溝球軸承軸向最大間隙0.005-0.01mm,
(The use of (prefix 6) deep groove ball bearing maximum axial clearance of 0.005-0.01mm.)

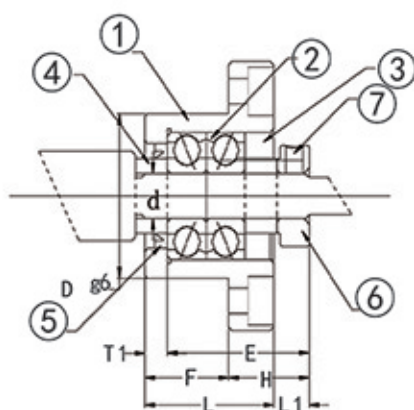


FK系列(圓型固定側)

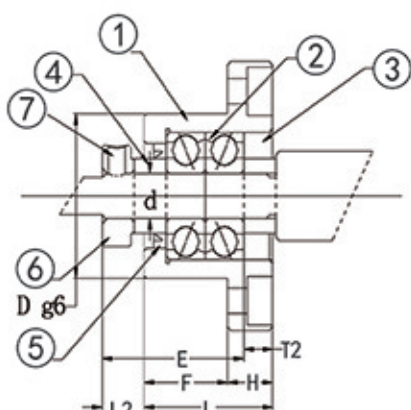
Support Unit FK
(fixed-side round type)

編號/Part No.	部件名/Part Name	數量/Qty	
1	軸承座本體/Housing	1	
2	軸承/Bearing	1組/1set	
3	壓板/Holding plate	1	
4	間隔環/Collar	2	
5	油封/Seal	4-5	0
		6-8	1
6	鎖緊螺帽/Lock nut	1	
7	內六角止付螺絲附銅墊塊 Hexagon socket-head Setscrew	4	1
		5-8	2

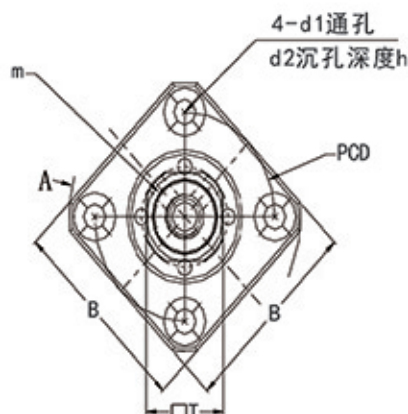
FK



安裝方法A
Mounting method A



安裝方法B
Mounting method B



FK系列4-8

單位/Unit:mm

型號 Model No.	軸徑 Shaft diameter d	L	H	F	E	D g6	A	P. C. D	B	安裝方法A		安裝方法B		d1	d2	h	m	T	重量 Weight (kgs)
										L1	T1	L2	T2						
FK4	4	15	6	9	18.5	18	32	24	25	5.5	2	6.5	3	3.4	6.5	4	M3	10	0.06
FK5	5	16.5	6	10.5	19.5	20	34	26	26	5.5	2.5	7	4	3.4	6.5	4	M3	11	0.07
FK6	6	20	7	13	22	22	36	28	28	5.5	3.5	8.5	6.5	3.4	6.5	4	M3	12	0.08
FK8	8	23	9	14	26	28	43	35	35	7	4	10	7	3.4	6.5	4	M3	14	0.15

備注(Note):

- C7級使用(6字頭)深溝球軸承軸向最大間隙0.005-0.01mm。(The use of C7(prefix 6) deep groove ball bearing maximum axial clearance of 0.005-0.01mm.)
- C5級使用(7字頭)角接觸軸承經預壓處理,軸向0間隙。(The use of C5(prefix 7) by preloading angular contact bearings, axial clearance 0.)
- 軸承採用德國品牌,採用DF組裝最適宜滾珠絲桿使用。(The bearing is made of German brand, which is assembled by DF.)

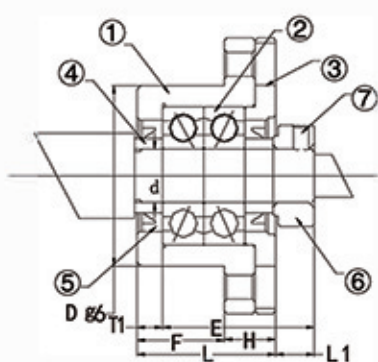
FK系列(圓型固定側)

Support Unit FK (fixed-side reund type)

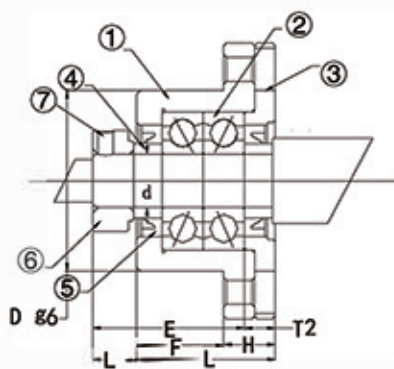


編號/Part No.	部件名/Part Name	數量/Qty
1	軸承座本體/Housing	1
2	軸承/Bearing	1組/1set
3	壓板/Holding plate	1
4	間隔環/Collar	2
5	油封/Seal	2
6	鎖緊螺帽/Lock nut	1
7	內六角止付螺絲附銅墊塊 Hexagon socket-head Setscrew	2

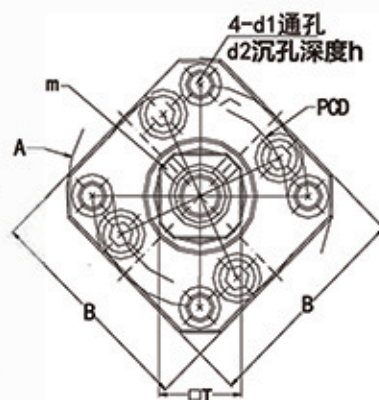
FK



安裝方法A
Mounting method A



安裝方法B
Mounting method B



單位/Unit:mm

型號 Model No.	軸徑 Shaft diameter d	L	H	F	E	D g6	A	P. C. D	B	安裝方法A		安裝方法B		d1	d2	h	m	T	重量 Weight (kgs)
										L1	T1	L2	T2						
FK10	10	27	10	17	29.5	34	52	42	42	7.5	5	8.5	6	4.5	8	4	M3	16	0.25
FK12	12	27	10	17	29.5	36	54	44	44	7.5	5	8.5	6	4.5	8	4	M4	19	0.26
FK15	15	32	15	17	36	40	63	50	52	10	6	12	8	5.5	9.5	6	M4	22	0.4
FK17	17	45	22	23	47	50	77	62	61	11	9	14	12	6.6	11	10	M4	24	0.85
FK20	20	52	22	30	50	57	85	70	68	8	10	12	14	6.6	11	10	M4	30	1.2
FK25	25	57	27	30	59	63	98	80	79	13	10	20	17	9	15	13	M6	35	1.6
FK30	30	62	30	32	61	75	117	95	93	11	12	17	18	11	17.5	15	M6	40	2.38

備注(Note):

- 1.C7級使用(6字頭)深溝球軸承軸向最大間隙0.005-0.01mm。(The use of C7(prefix 6) deep groove ball bearing maximum axial clearance of 0.005-0.01mm.)
- 2.C5級使用(7字頭)角接觸軸承經預壓處理,軸向0間隙。(The use of C5(prefix 7) by preloading angular contact bearings,axial clearance 0.)
- 3.軸承採用德國品牌,採用DF組裝最適宜滾珠絲杆螺絲使用。(The bearing is made of German brand, which is assembled by DF.)

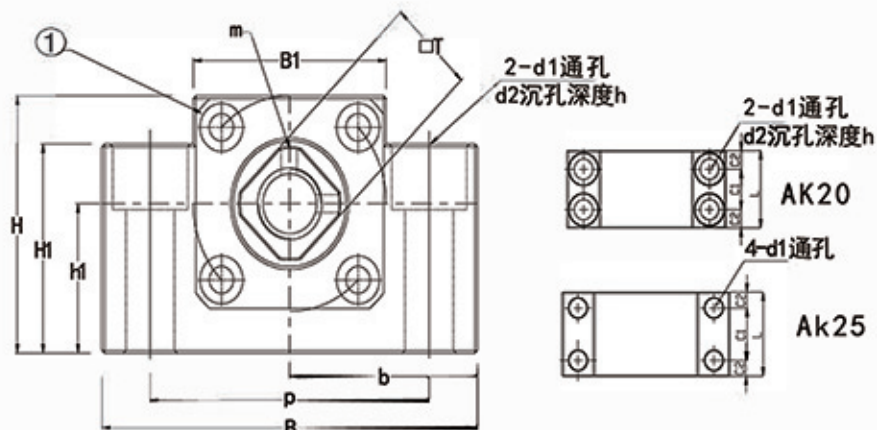
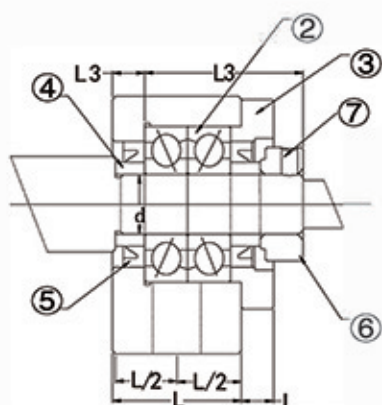
AK系列(方型固定側)

Support Unit AK (fixed-side rectangular type)



編號/Part No.	部件名/Part Name	數量/Qty
1	軸承座本體/Housing	1
2	軸承/Bearing	1組/1set
3	壓板/Holding plate	1
4	間隔環/Collar	2
5	油封/Seal	2
6	鎖緊螺帽/Lock nut	1
7	內六角止付螺絲附銅墊塊 Hexagon socket-head Setscrew	2

AK



單位/Unit:mm

型號 Model No.	軸徑 Shaft diameter d	L	L1	L2	L3	B	H	b	h1	B1	H1	P	C1	C2	d1	d2	h	m	T	重量 Weight (kgs)
								±0.02	±0.02											
AK10	10	24	6	29.5	6	70	43	35	25	36	35	52	-	-	9	14	11	M3	16	0.5
AK12	12	24	6	29.5	6	70	43	35	25	36	35	52	-	-	9	14	11	M4	19	0.5
AK15	15	25	6	36	5	80	49	40	30	41	40	60	-	-	11	17	15	M4	22	0.65
AK20	20	42	10	50	10	95	58	47.5	30	56	45	75	22	10	11	17	15	M4	30	1.45
AK25	25	48	12	59	14	105	68	52.5	35	66	25	85	30	9	11	-	-	M6	35	1.92

備注(Note):

- C7級使用(6字頭)深溝球軸承軸向最大間隙0.005-0.01mm。(The use of C7(prefix 6) deep groove ball bearing maximum axial clearance of 0.005-0.01mm.)
- C5級使用(7字頭)角接觸軸承經預壓處理,軸向0間隙。(The use of C5(prefix 7) by preloading angular contact bearings, axial clearance 0.)
- 軸承採用德國品牌,採用DF組裝最適宜滾珠絲杆使用。(The bearing is made of German brand, which is assembled by DF.)

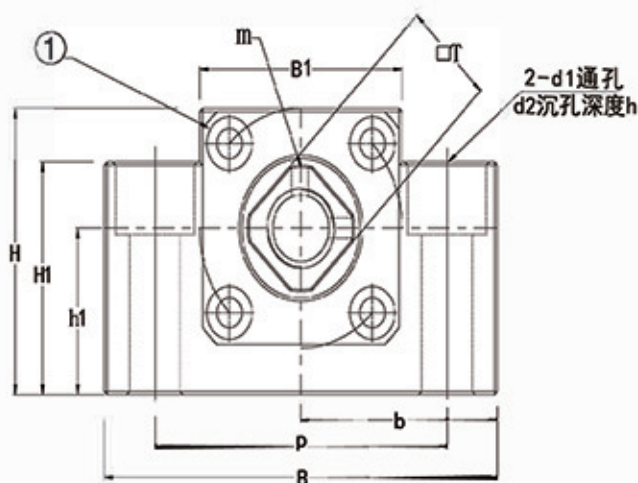
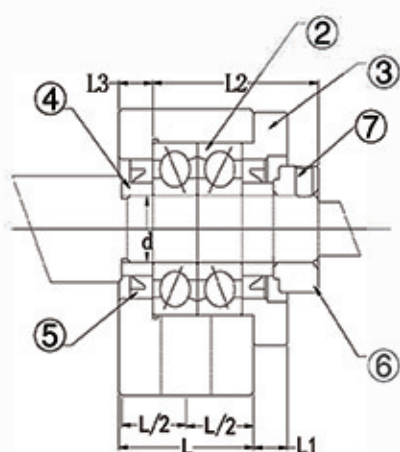
AK系列(方型固定側)

Support Unit AK (fixed-side rectangular type)

編號/Part No.	部件名/Part Name	數量/Qty
1	軸承座本體/Housing	1
2	軸承/Bearing	1組/1set
3	壓板/Holding plate	1
4	間隔環/Collar	2
5	油封/Seal	2
6	鎖緊螺帽/Lock nut	1
7	內六角止付螺絲附銅墊塊 Hexagon socket-head Setscrew	2



AK



單位/Unit:mm

型號 Model No.	軸徑 Shaft diameter d	L	L1	L2	L3	B	H	b		h1	B1	H1	P	C1	C2	d1	d2	h	m	T	重量 Weight (kgs)
								±0.02	±0.02												
AK1022	10	24	6	29.5	6	70	40	35	22	36	32	52	-	-	9	14	11	M3	16	0.48	
AK1223	12	24	6	29.5	6	70	41	35	23	36	33	52	-	-	9	14	11	M4	19	0.48	
AK1526	15	25	6	36	5	80	46	40	26	41	36	60	-	-	11	17	15	M4	22	0.61	
AK1528	15	25	6	36	5	80	48	40	28	41	38	60	-	-	11	17	15	M4	22	0.63	

備注(Note):

- C7級使用(6字頭)深溝球軸承軸向最大間隙0.005-0.01mm。(The use of C7(prefix 6) deep groove ball bearing maximum axial clearance of 0.005-0.01mm.)
- C5級使用(7字頭)角接觸軸承預壓處理,軸向0間隙。(The use of C5(prefix 7) by preloading angular contact bearings, axial clearance 0.)
- 軸承採用德國品牌,採用DF組裝最適宜滾珠絲桿使用。(The bearing is made of German brand, which is assembled by DF.)

AF系列(方型支撐側)

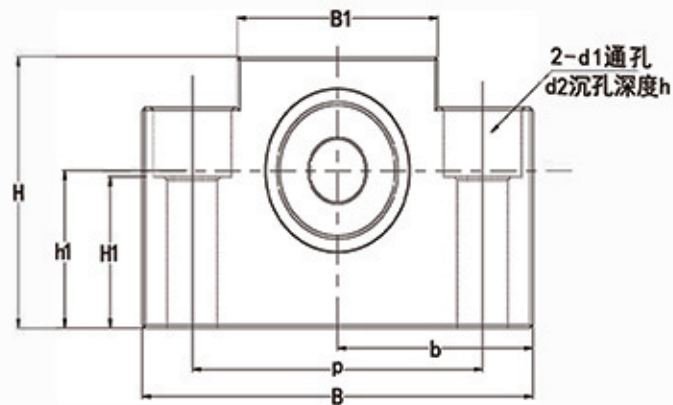
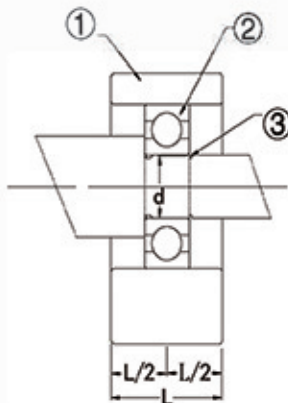
Support Unit AF

(Supported-side rectangular type)



編號/Part No.	部件名/Part Name	數量/Qty
1	軸承座本體/Housing	1
2	軸承/Bearing	1
3	C型扣環/Snap ring	1

AF



單位/Unit:mm

型號 Model No.	軸徑 Shaft diameter d	L	B	H	b		B1	H1	P	d1	d2	h	使用C型扣環 Snap ring	重量 Weight (kgs)
					±0.02	±0.02								
AF10	8	20	70	43	35	25	36	35	52	9	14	11	S 08	0.37
AF12	10	20	70	43	35	25	36	35	52	9	14	11	S 10	0.37
AF15	15	20	80	49	40	30	41	40	60	9	14	11	S 15	0.45
AF20	20	26	95	58	47.5	30	56	45	75	11	17	15	S 20	0.75
AF25	25	30	105	68	52.5	35	66	25	85	11	-	-	S 25	0.95

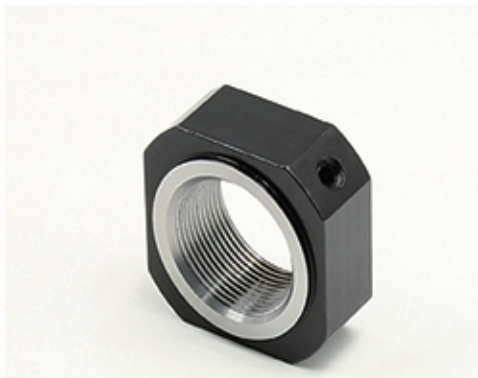
備注(Note):

C7級使用(6字頭)深溝球軸承軸向最大間隙0.005-0.01mm.
(The use of (prefix 6) deep groove ball bearing maximum axial clearance of 0.005-0.01mm.)

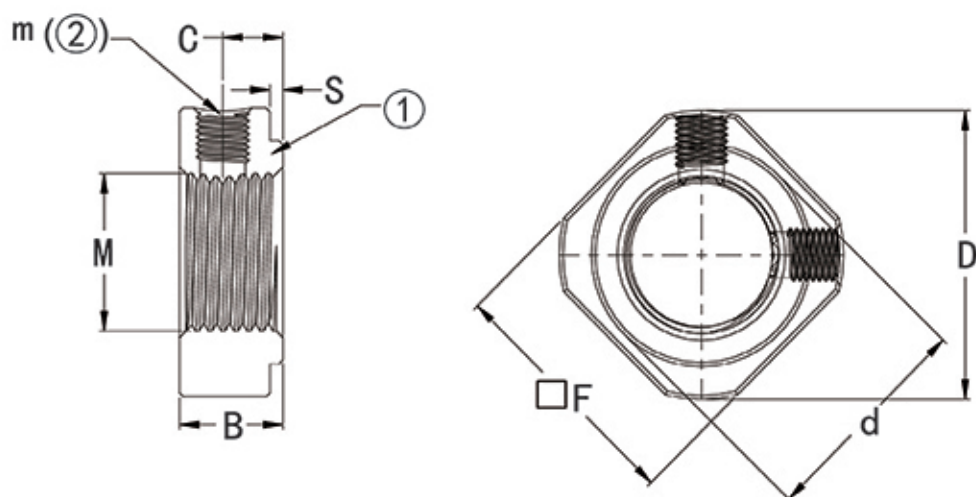
鎖緊螺母

Lock Nut

編號/Part No.	部件名/Part Name	數量/Qty
1	鎖緊螺母/Lock nut	1
2	內六角止付螺絲附銅墊塊 Hexagon socket-head Setscrews	2 (1)



Lock Nut



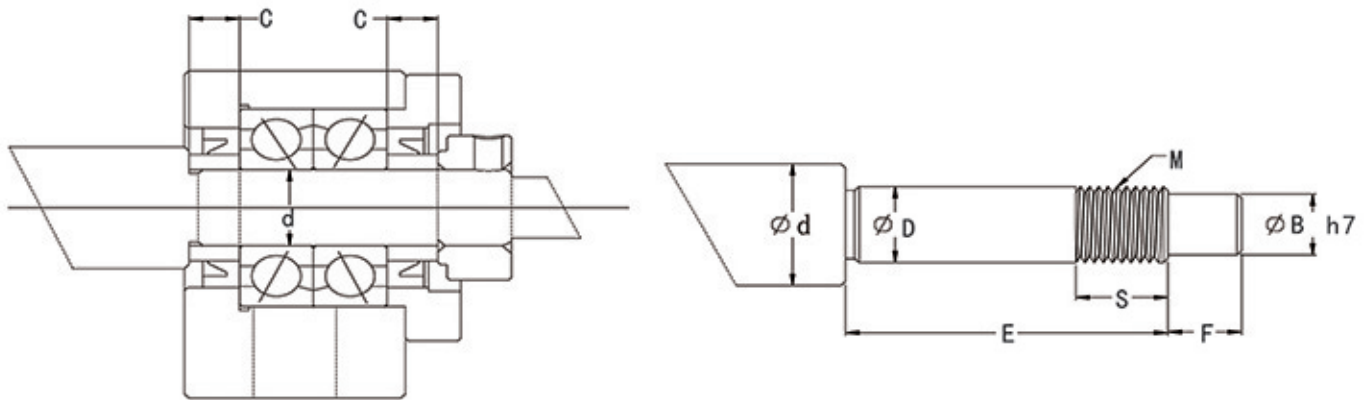
單位/Unit : mm

型號 Model No.	MX螺距細牙 螺紋	D	d	F	B	C	^m 內六角止付螺絲附銅墊
RN4	M4x0.5	11.5	5	10	5	2.7	M3 (x1)
RN5	M5x0.5	12.5	9	11	5	2.7	M3 (x2)
RN6	M6x0.75	13.5	10	12	5	2.7	M3 (x2)
RN8	M8x1.0	16	13	14	6.5	4	M3 (x2)
RN10	M10x1.0	19	15	16	8	5.5	M3 (x2)
RN12	M12x1.0	22	17	19	8	5.5	M4 (x2)
RN15	M15x1.0	25	21	22	8	4.75	M4 (x2)
RN17	M17x1.0	29	21	24	13	9	M4 (x2)
RN20	M20x1.0	35	26	30	11	7	M4 (x2)
RN25	M25x1.5	43	33	35	15	10	M6 (x2)
RN30	M30x1.5	48	39	40	20	14	M6 (x2)
RN35	M35x1.5	60	47	50	21	14	M6 (x2)
RN40	M40x1.5	62	48	50	25	18	M8 (x2)

備注(Note): M3-M8帶1個頂絲, M10-M40帶2個頂絲, 精度為0.01。

建議軸端加工尺寸（固定側）

Recommended shaft end shape(Fixed-side)
for Support Units types

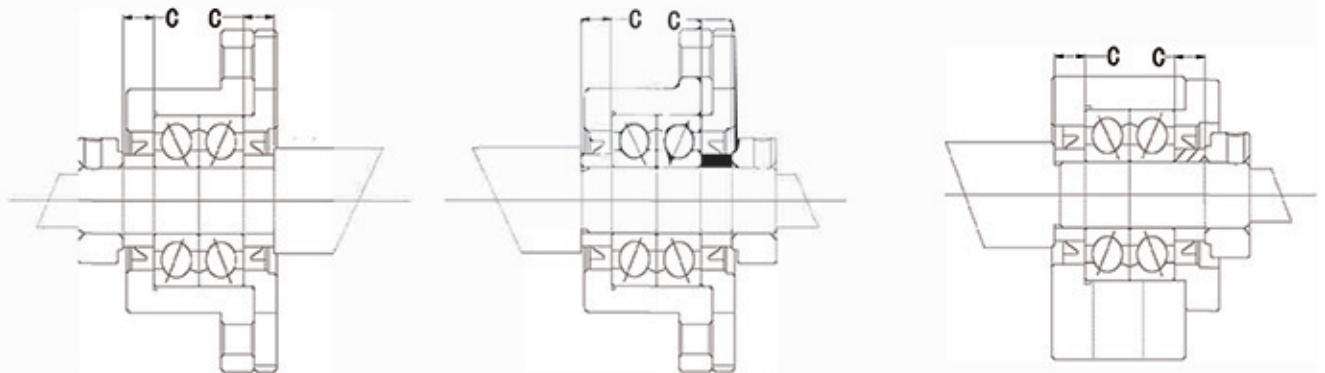
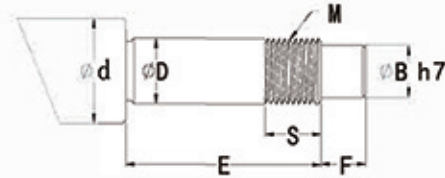


單位/Unit:mm

型號 Support unit model No.	滾珠螺桿軸外徑 Ball screw shaft OD	軸端部外徑 Shaft support portion OD				公稱螺紋 Metric screw thread	套筒長度 Length of Sieve	
BK型 Type BK	d	D	B	E	F	M	S	C
BK10	12/14/15	10 -0.008 -0.015	8	36	15	M10×1.0	12	5.5
BK12	14/15/16	12 -0.008 -0.017	10	36	15	M12×1.0	12	5.5
BK15	18/20	15 -0.008 -0.017	12	40	20	M15×1.0	12	6
BK17	20/25	17 -0.008 -0.017	15	53	23	M17×1.0	17	7
BK20	25/28	20 -0.010 -0.020	17	53	25	M20×1.0	15	8
BK25	32/36	25 -0.010 -0.020	20	66	30	M25×1.5	20	9
BK30	36/40	30 -0.010 -0.020	25	73	38	M30×1.5	25	9
BK35	45	35 -0.012 -0.025	30	82	45	M35×1.5	26	12
BK40	50	40 -0.012 -0.025	35	94	50	M40×1.5	30	15

建議軸端加工尺寸 (固定側)

Recommended shaft end shape(Fixed-side)
for Support Units types

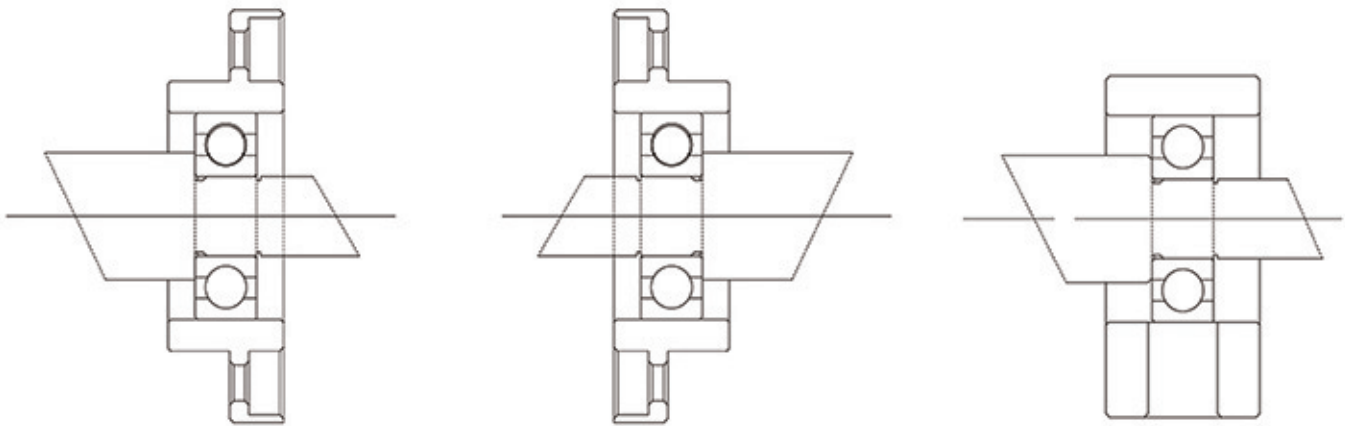
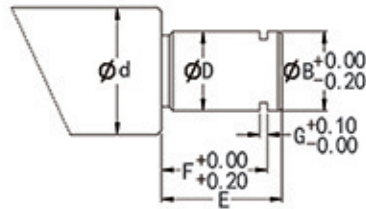


單位/Unit:mm

型號 Support unit model No.			滾珠螺桿軸外徑 Ball screw shaft OD	軸端部外徑 Shaft support portion OD				公稱螺紋 Metric screw thread	套筒長度 Length of Sieve	
FK	EK	AK	d	D	B	E	F	M	S	C
FK4	EK4	-	6	4 -0.008 -0.015	3	24	5	M4×0.5	7	3.5
FK5	EK5	-	8	5 -0.008 -0.015	4	24	6	M5×0.5	7	4.5
FK6	EK6	-	8	6 -0.008 -0.015	4	28	8	M6×0.75	8	5
FK8	EK8	-	10/12	8 -0.008 -0.015	6	32	9	M8×1.0	10	5.5
FK10	EK10	AK10	12/14/15	10 -0.008 -0.015	8	36	15	M10×1.0	12	5.5
FK12	EK12	AK12	14/15/16	12 -0.008 -0.017	10	36	15	M12×1.0	12	5.5
FK15	EK15	AK15	18/20	15 -0.008 -0.017	12	48	20	M15×1.0	13	10
FK17	-	-	20/25	17 -0.008 -0.017	15	59	23	M17×1.0	17	10
FK20	EK20	AK20	25/28	20 -0.010 -0.020	17	64	25	M20×1.0	16	11
FK25	-	AK25	32/36	25 -0.010 -0.020	20	76	30	M25×1.5	20	14
FK30	-	-	36/40	30 -0.010 -0.020	25	73	38	M30×1.5	25	9

建議軸端加工尺寸（固定側）

Recommended shaft end shape(Fixed-side)
for Support Units types



單位/Unit:mm

型號 Support unit model No.				滾珠螺桿軸外徑 Ball screw shaft OD	軸端部外徑 Shaft support portion OD					
FF	EF	BF	AF	d	D	B	E	F	G	
FF6	EF6	-	-	8	6 -0.008 -0.015	5.7	9	6.8	0.8	
-	EF8	-	-	10	8 -0.008 -0.015	5.7	9	6.8	0.8	
FF10	EF10	BF0	AF10	12/14/15	10 -0.008 -0.015	7.6	10	7.9	0.9	
FF12	EF12	BF2	AF12	14/15/16	12 -0.008 -0.017	9.6	11	9.15	1.15	
FF15	EF15	BF15	AF15	18/20	15 -0.008 -0.017	14.3	13	10.15	1.15	
FF17	-	BF17	-	20/25	17 -0.008 -0.017	16.2	16	13.15	1.15	
FF20	EF20	BF20	AF20	25/28/30	20 -0.010 -0.020	19	19(16)	15.35(13.35)	1.35	
FF25	-	BF25	AF25	30/32/36	25 -0.010 -0.020	23.9	20	16.35	1.35	
FF30	-	BF30	-	36/40	30 -0.010 -0.020	28.6	21	17.75	1.75	
-	-	BF35	-	40/45	35 -0.010 -0.025	33	22	18.75	1.75	
-	-	BF40	-	50	40 -0.010 -0.025	38	23	19.95	1.95	

支撐座各廠牌型號對照表

Ballscrew support unit equivalent interchangeable
for major manufacturer

BUN & THK
BK10
BK12
BK15
BK17
BK20
BK25
BK30
BK35
BK40

BUN & THK	KURODA	NSK	MISUMI
EK05	-	-	-
EK06	BUK-6	WBK06-01A	BSW06
EK08	BUK-8F	WBK08-01A	BSW08
EK10	-	-	-
EK12	-	-	-
EK15	-	-	-
EK20	-	-	-

BUN & THK	KURODA	NSK	MISUMI
FK05	-	-	-
FK06	-	WBK06-11	BRW06
FK08	BUM-8	WBK08-11	BRW08
FK10	BUM-10	WBK10-11	BRW10
FK12	BUM-12	WBK12-11	BRW12
FK15	BUM-15	WBK15-11	BRW15
FK17	-	-	-
FK20	BUM-20	WBK20-11	BRW20
FK25	BUM-25	WBK25-11	BRW25
FK30	-	-	-

BF10
BF12
BF15
BF17
BF20
BF25
BF30
BF35
BF40

EF06	-	-	BUN06
EF08	BUK-6S	WBK08S-01	BUN08
EF10	-	-	-
EF12	-	-	-
EF15	-	-	-
EF20	-	-	-

BF12	-	-	BUR06
BF15	-	-	BUR10
BF17	-	-	BUR12
BF20	-	-	BUR15
BF25	-	-	-
BF30	-	-	BUR20
BF35	-	-	BUR25
BF40	-	-	-

BUN	KURODA	NSK	MISUMI
AF10	BUK-10F	WBK10-01A	BSW10
AF12	BUK-12F	WBK12-01A	BSW12
AF15	BUK-15F	WBK15-01A	BSW15
AF17	-	WBK17-01A	-
AF20	BUK-20F	WBK20-01A	BSW20
AF25	BUK-25F	WBK25-01A	BSW25

BUN	NSK
WBK 17DF	WBK 17DF-31
WBK 20DF	WBK 20DF-31
WBK 25DF	WBK 25DF-31
WBK 25DDF	WBK 25DDF-31
WBK 30DF	WBK 30DF-31
WBK 30DFD	WBK 30DFD-31
WBK 35DF	WBK 35DF-31
WBK 35DFD	WBK 35DFD-31
WBK 40DF	WBK 40DF-31
WBK 40DFD	WBK 40DFD-31

BUN	NSK	PMI
LK08	WBK08-01B	-
LK10	WBK10-01B	-
LK12	WBK12-01B	PBKN12
LK15	WBK15-01B	PBKN15
LK20	WBK20-01	PBKN20
AK20	WBK08S-01B	-
LF08	WBK12S-01B	-
LF12	WBK15S-01B	-
LFA12	WBK12SF-01	PBFN12
LFA15	WBK15SF-01	PBFN15
LFA20	WBK20SF-01	PBFN20
LFA25	WBK25SF-01	PBFN25

AF10	BUK-8S	WBK10S-01	BUN10
AF12	BUK-10S	WBK12S-01	BUN12
AF15	BUK-15S	WBK15S-01	BUN15(Ø11)
AF17	-	WBK17S-01	-
AF20	BUK-20S	WBK20S-01	BUN20
AF25	BUK-25S	WBK25S-01	BUN25

備注(Note):

- 1.C7級使用（6字頭）深溝球軸承軸向最大間隙0.005-0.01mm。（The use of C7(prefix 6) deep groove ball bearing maximum axial clearance of 0.005-0.01mm.）
- 2.C5級使用（7字頭）角接觸軸承預壓處理，軸向0間隙。（The use of C5(prefix 7) by preloading angular contact bearings,axial clearance 0.）
- 3.軸承採用德國品牌，採用DF組裝最適宜滾珠絲杆螺桿使用。（The bearing is made of German brand, which is assembled by DF.）

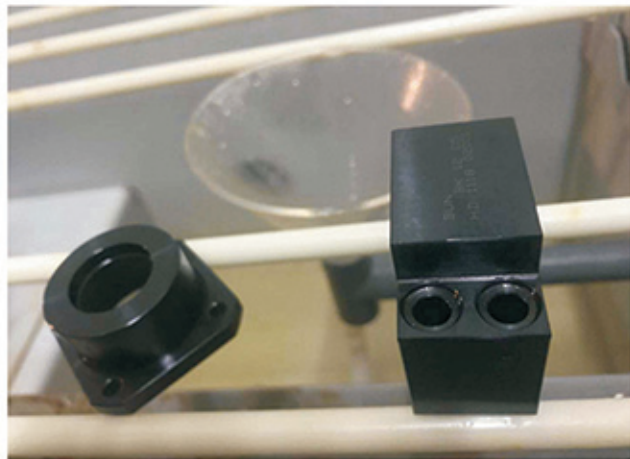
監霧測試 (30小時) Salt Spray Test(30Hours)



目的 Objective

檢測四氧化三鐵支撐座表面
抗監霧腐蝕之能力。

Measuring the Anti-Corrosion
Ability of the Surface of the
Trioxide Supporting Base



說明 Manual

監霧試驗是一種主要利用監霧試驗設備所創造的人工類比監霧環境條件來考核產品或金屬材料耐腐蝕性能的環境試驗。

Salt spray test is a major use of salt spray test equipment created by the artificial analog to assess environmental conditions, salt spray product or metallic materials resistant to corrosion environmental tests.

人工類比監霧環境試驗是利用一種具有一定容積空間的試驗設備——監霧試驗箱，在其容積空間內用人工的方法，造成監霧環境對產品的耐監霧腐蝕性能品質進行考核。






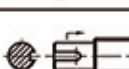
Artificial analogy environmental test using a certain volume of space, test equipment—salt spray test box. By artificial way to evaluation the product quality and corrosion resistance to salt spray environment.


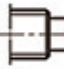




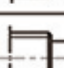
在天然暴露環境下對某產品樣品進行試驗，待其腐蝕可能要1年，而在人工類比監霧環境條件下試驗，祇要20小時，即可得到相似的結果。

Exposure in a natural environment, a productsample under test, until their corrosion may take a year, while in the artificial environment, under the conditions of salt spray test analog, as long as 24 hours, you can ger similar results.

轴端加工

轴端加工

轴端类型	轴端加工代号及特征		图例
	代号	特征	
固定端 (F)	F	联轴器端 + 锁紧螺纹 + 轴承位	
	FM	联轴器端 (轴向螺纹孔) + 锁紧螺纹 + 轴承位	
	FD	联轴器端 (铣单扁) + 锁紧螺纹 + 轴承位	
	FH	联轴器端 (铣双扁) + 锁紧螺纹 + 轴承位	
	FX	联轴器端 (铣四方) + 锁紧螺纹 + 轴承位	
	FU	联轴器端 (键槽) + 锁紧螺纹 + 轴承位	

轴端类型	轴端加工代号及特征		图例
	代号	特征	
支撑端 (S)	S	轴承位	
	SM	轴承位 + 轴向螺纹孔	
	SH	轴承位 + 铣单扁	
	SX	轴承位 + 铣双扁	
	SU	轴承位 + 铣四方	
	SC	轴承位 + 键槽	
	SD	轴承位 + 卡簧槽	

轴端加工图



铣卡簧槽



挑螺纹



铣键槽



铣一字槽

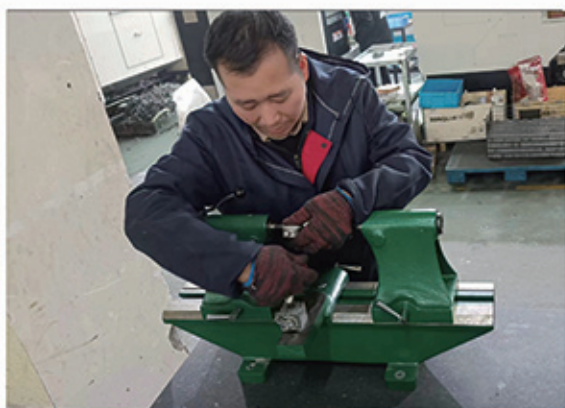
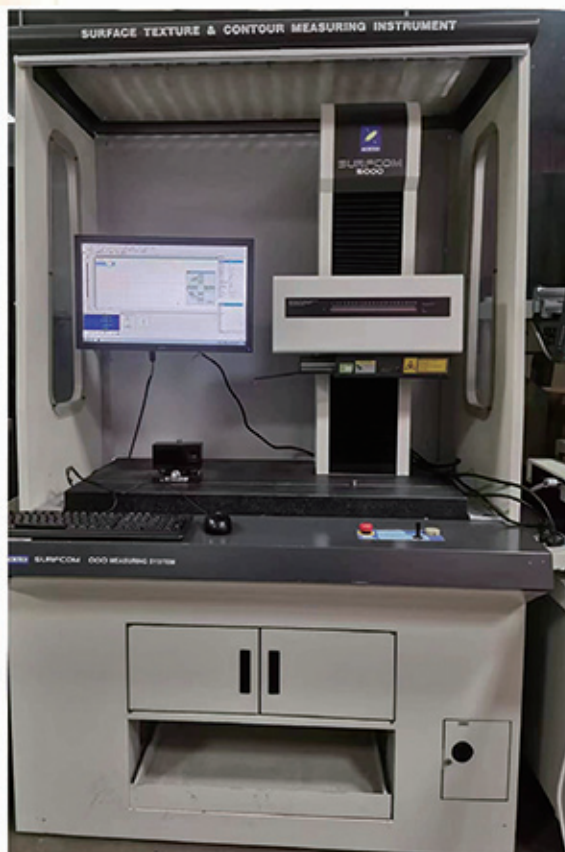
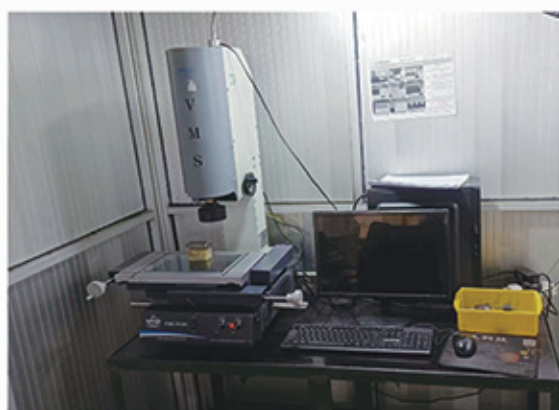
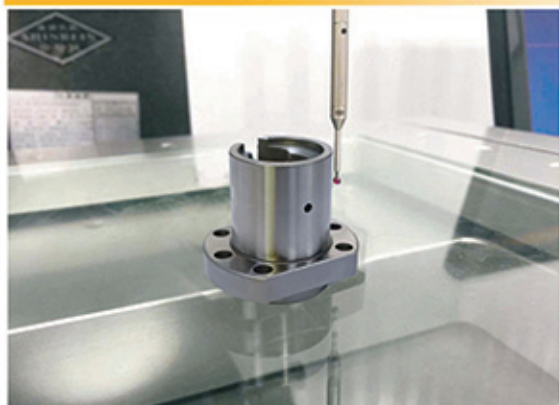


铣内六角



铣扁位

我們的檢測設備 Our testing equipment



說明 Manual

本公司生產這C5級支撐座，採用高精密度斜角滾珠軸承，搭配精心研制軸向預壓，不僅使整個系統剛性提升，更加使機構之軸向往復精度和定位精度表優異，為高精度的設備或機構不可或缺之關鍵，並充分表現小小螺絲釘的角色。

The C5 grade support unit use precision angular contact ball bearings and with axial preload. It is not only can enhance the rigidity for the system, but also can have better positioning repeatability and positioning accuracy for machinery. It is indispensable for high accuracy equipment or machinery.

支承單元 Bearing unit

EK型 BK型 FK型 EF型 BF型 FF型

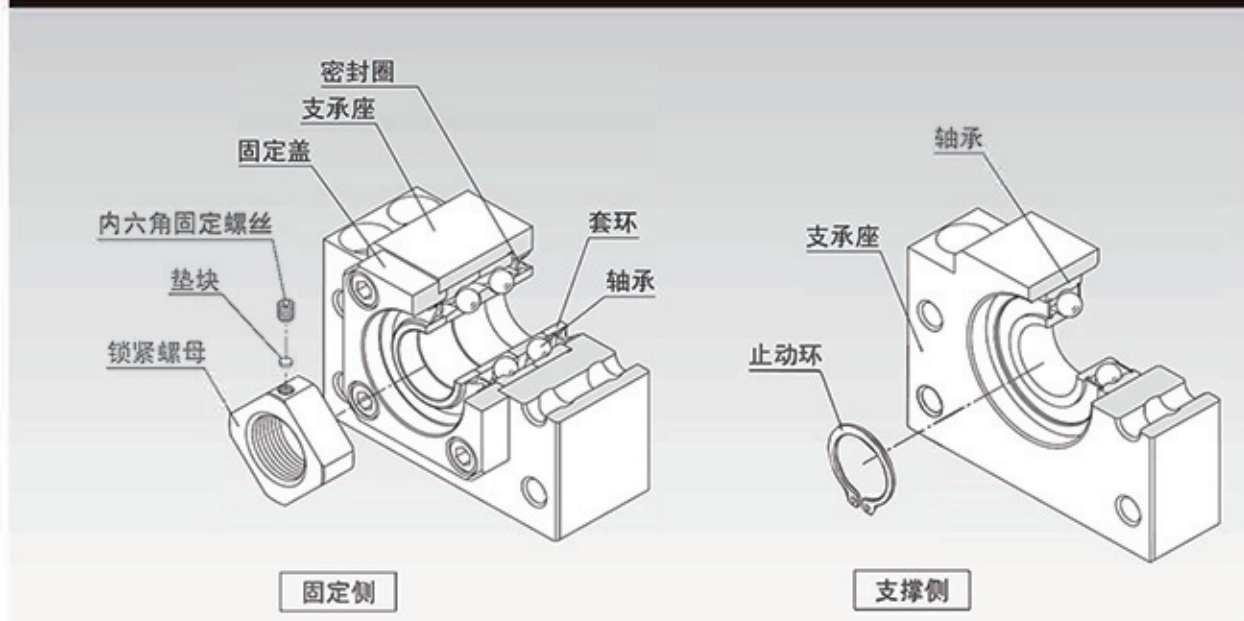


圖1 支承單元的結構

結構與特長 The structure and specialty

支承單元有6個型號，對標準滾珠絲杆庫存品的軸端、成品，提供有標準化的的支承單元EK、FK、EF和FF型，對一般滾珠絲杆提供有標準化的支承單元BK和BF型。固定側的支承單元裝有經預壓調整的JIS5級的角接觸軸承。特別是在EK/FK4、5和6型的微型型號中，裝有專為微型滾珠絲杆所開發的45度接觸角的微型角接觸軸承，可獲得具有高剛性、高精度的穩定旋轉性能。

【支撐側的支承單元使用深溝滾珠軸承】

支承單元EK、FK和BK型的內部軸承中封入適量的鋰基潤滑脂，用特殊密封墊圈進行密封，所以能夠長期使用。

【最佳軸承的採用】

考慮到與滾珠絲杆在剛性上的均衡，使用了高剛性低扭矩的角接觸軸承（接觸角30度、DF組合）。另外，在EK/FK4、5和6型的微型型號中裝有專為微型滾珠絲杆所開發的微型角接觸軸承。此軸承接觸角為45度，球徑小且鋼球數量多，是具有高剛性、高精度的微型角接觸軸承，可獲得穩定的旋轉性能。

【支承單元的形狀】

支承單元有方形和圓形系列，可根據用途進行選擇。

【體積小且安裝簡便】

支承單元為考慮了周圍安裝空間的小型構造。同時，由於裝入了經過調整預壓的軸承，直接就可以進行裝配，不需要進一步加工。因此，既降低了裝配工時，又可提高裝配精度。