

TAIKUN[®] 臺坤

Focus on R&d, Production and Sales
of High-end Planetary Reducers

專注于高端行星減速機的
研發生產及銷售



TAIKUN CO., LTD.

臺灣省臺中市神岡區民權路18-16號
Add: No18-16, Minquan Rd., Shenggang Dist., Taichung City 429, Taiwan
E-mail: info@taikun.tw

TAIKUN CO., LTD.

COMPANY PROFILE

企業簡介

臺坤精密傳動源於專業的日本研發及技術團隊，專注於高端行星減速機的研發生產及銷售，提供優質的產品以及高效的服務，因此我們始終堅持在最佳條件下生產減速機。憑藉我們的質量意識和與之緊密相連的持續改善活動，使客戶日漸倚重和信任我們。高品質的要求才能實現零失誤生產的目標，確保我們的產品在最嚴苛的應用循環中仍能保持很長的壽命。













目前我們擁有XB/ZB系列，XD法蘭系列，XBR/ZBR行星系列，FKT中空旋轉平台系列以及經濟型的PZE/PZF、ZRE/ZRF系列，產品被廣泛應用於軌控機床、機械手、製藥行業、紡織行業、印刷行業、冶金礦山、太陽能、風力發電等眾多行業。

Taikun Precision Transmission is sourced from a professional Japanese R&D and technical team, focusing on the R&D, production and sales of high-end planetary reducers. Providing quality products and efficient service, we always insist on producing gearboxes under the best conditions. With us The quality awareness and continuous improvement activities closely linked to it make customers increasingly rely on and trust us. High quality requirements The goal of zero-error production can be achieved, ensuring that our products remain long-lived in the most demanding application cycles.

At present, we have XB/ZB series, XD flange series, XBR/ZBR corner series, FKT hollow rotating platform series and The economical PZE/PZF and ZRE/ZRF series are widely used in CNC machine tools and robots. Pharmaceutical industry, textile industry, printing industry, metallurgical mines, solar energy, wind power and many other industries.

CONTENTS INDEX

目錄索引

	01 XB/ZB SERIES 行星減速機 Servo Planetary Reducer		78 FKTC SERIES 行星減速機 Servo Planetary Reducer
	19 XD SERIES 行星減速機 Servo Planetary Reducer		87 FKTD SERIES 行星減速機 Servo Planetary Reducer
	29 XBR/ZBR SERIES 行星減速機 Servo Planetary Reducer		96 FKTM SERIES 行星減速機 Servo Planetary Reducer
	39 PZE/PZF SERIES 行星減速機 (經濟型) Servo Planetary Reducer (Economic Type)		103 FKTMD SERIES 行星減速機 Servo Planetary Reducer
	73 ZRE/ZRF SERIES 行星減速機 (經濟型) Servo Planetary Reducer (Economic Type)		108 FKTN SERIES 行星減速機 Servo Planetary Reducer
	69 FKT SERIES 中空旋轉平台 Hollow Rotating Platform		111 JR SERIES 行星角減速機 Planetary Gearbox

XB/ZB SERIES

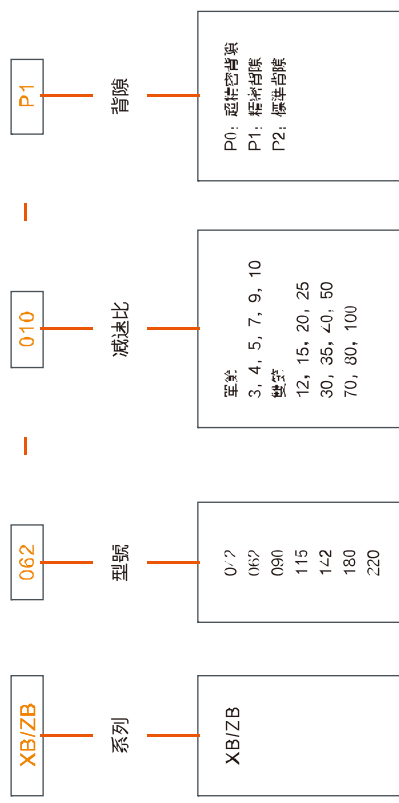
伺服行星減速機
Servo Planetary Reducer



- 最低的回程間隙
- 高效率 (97%)
- 安裝空間小
- 傳動多樣性

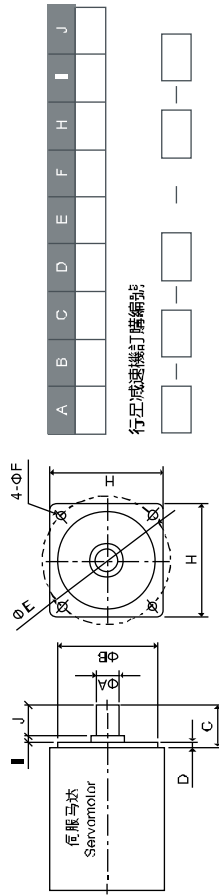
- 輸出靜止告
- 低噪音
- 潤滑免維護
- 簡便方便

型號定義 (示例)



馬達型號：馬達型號及型號
通用範例：XB/ZB062-010-P1 (XB為斜齒，ZB為直齒)

訂貨須知



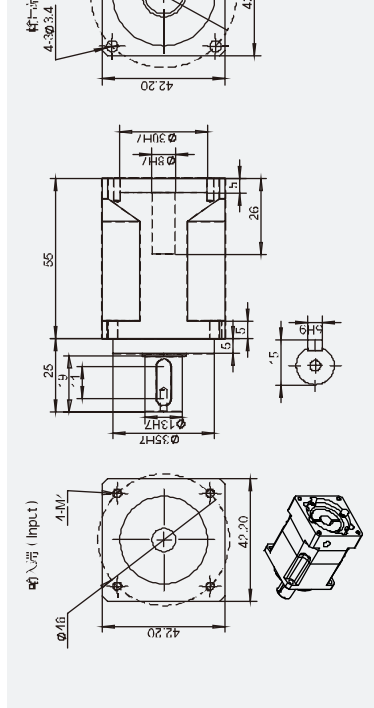
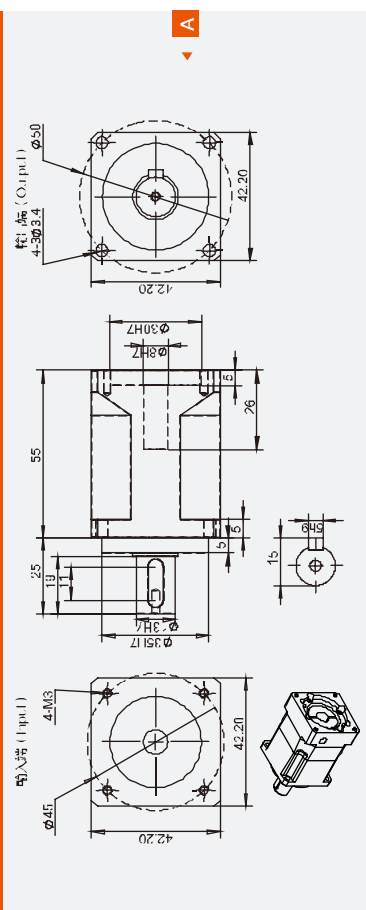
- 機型、型號、馬力
- 減速比或每分鐘回轉數
- 荷重量及連結方式
- 欲安裝的機械名稱
- 入力方式和入力轉速
- 機架型號及安裝尺寸
- Type, mode and horse power
- Speed ratio or R.P.M. of output shaft
- Method of connection and load factor
- Quantity and what kind of machinery
- Speed ratio or R.P.M. of input shaft/Motor
- Motor brand & Model no or frame & motor shaft dimension

減速機性能資料

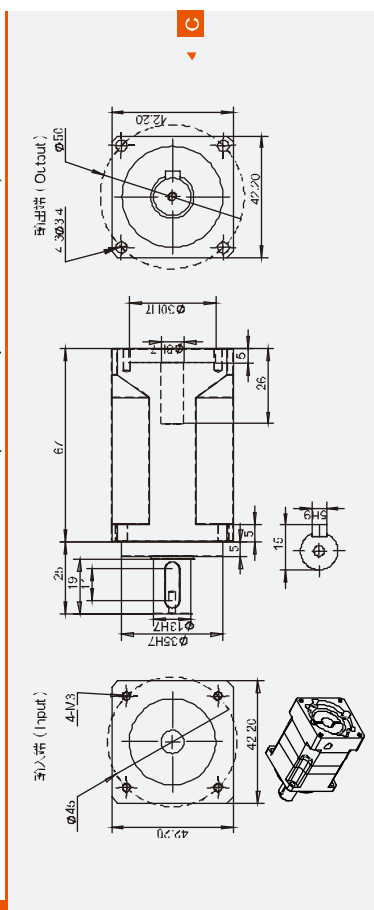
XB042 ZB042	單節										雙節									
	減速比 (i)										減速比 (i)									
輸出額定功率 P ₂	N.m	20	19	22	19	17	17	4	19	20	3	22	20	19	17	22	19	17	80	100
輸出額定轉速 n ₂	rpm	20	19	22	19	17	17	4	19	20	3	22	20	19	17	22	19	17	80	100
輸入額定功率 P ₁	N.m	二節制式行星減速機																		
輸入額定轉速 n ₁	rpm	5000																		
最大輸入轉速 n _{1max}	rpm	10000																		
起動力矩 M ₂	acorn.m	-																		
額定背隙 P1 ²⁾	arcmin	≤3 / ≤6																		
額定背隙 P2 ³⁾	arcmin	≤5 / ≤8																		
容許轉速	rpm / acorn	3																		
容許靜力 F _{1,2} ⁴⁾	N	780																		
容許靜力 F _{1,2} ⁵⁾	N	390																		
容許壽命 ⁶⁾	hr	20000																		
效率 ⁷⁾	%	>97%																		
重量	kg	0.6																		
使用溫度	°C	10°C ~ 190°C																		
潤滑		合成潤滑油																		
防護等級		IP65																		
安裝方式		B2安裝																		
噪音值 (dB)	dB(A)	≤65																		
軸端重量 J	kg-cm ²	0.3	0.3	0.3	0.3	0.3	0.3	0.3	0.3	0.3	0.3	0.3	0.3	0.3	0.3	0.3	0.3	0.3	0.3	0.3

1. 減速比 (i = N₁/N₂)
2. 背隙是在額定力矩之二的特定輸出力矩 (2N) 下測得
3. 軸端重量 (0.01-cm) 時，以作用於輸出中心為止
4. 在容許輸入轉速 (7N ~ 3000rpm) 且無負載的情況下測得
5. 連續運轉時，使用壽命為 10000hr
6. 以減速機額定轉速 i=10 時 (1000轉速) 3000-rpm 最高轉速測得
7. 最大靜力矩 T2D ~ 60% c T2\N.m
8. 以上數值為共同參數，如有任何參數與本資料不符者，請以實際參數為準
9. 以上參數僅供參考，如有任何參數與本資料不符者，請以實際參數為準
10. 如有未註明者，請與 TAIKUN 聯絡

DIMENSIONS / 尺寸 (單節, 減速比 i=3~10) (1-STAGE, RATIO i=3~10)



DIMENSIONS / 尺寸 (雙節, 減速比 i=12~100) (1-STAGE, RATIO i=12~100)



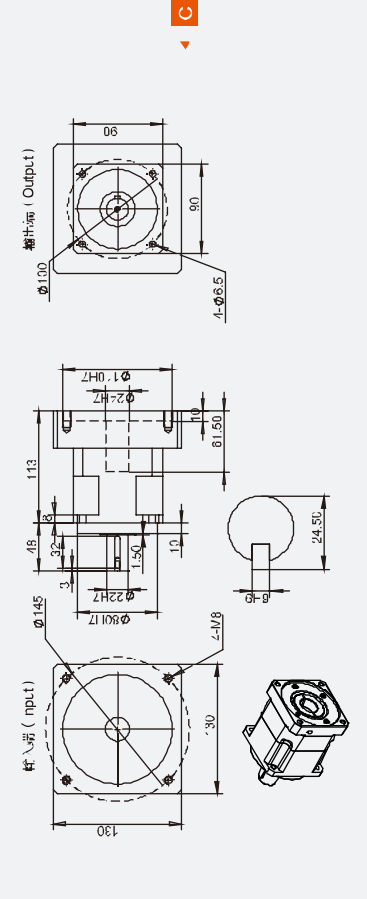
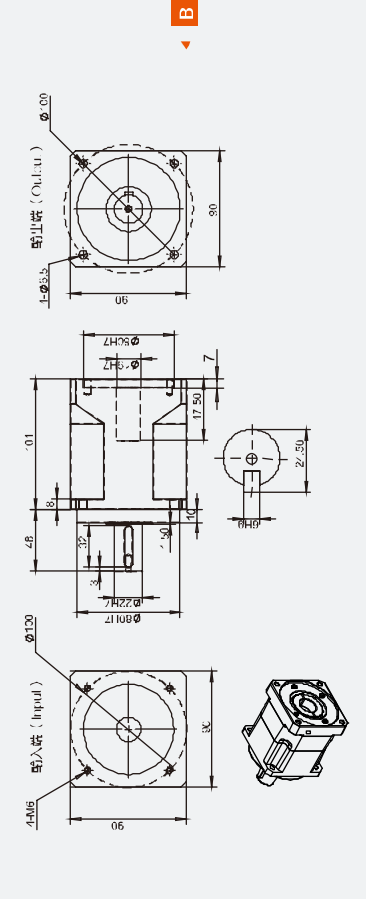
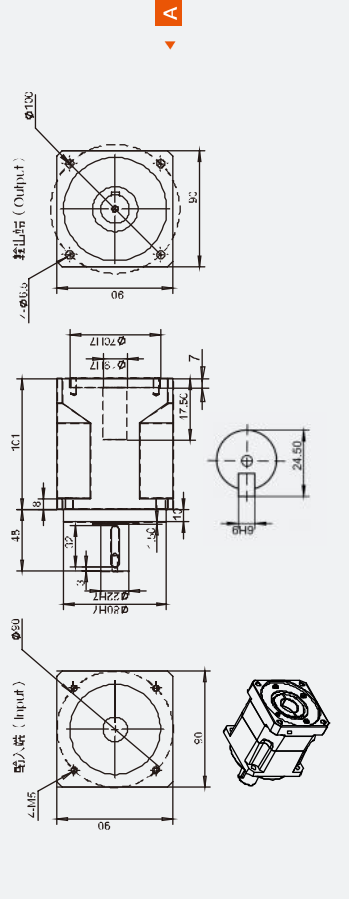
* 以上圖紙尺寸僅供參考，實際尺寸以產品為準，如有任何參數與本資料不符者，請以實際參數為準。

減速機性能資料

XB090 ZB090	二節										雙節										
	減速比 (i)										減速比 (i)										
輸出轉動力 T_h	N·m	30	140	160	140	120	100	100	130	130	140	150	160	140	120	100	80	100			
輸出扭矩 T_o	N·m	二節輸出轉動力										二節輸出轉動力									
輸出轉入轉速 n_H	rpm	4000										4000									
最大轉入轉速 n_{Hmax}	rpm	5000										5000									
迴轉慣性 J_H	kg·cm ²	~1 / -										~3 / -									
靜態背隙 $P1^{\text{①}}$	arcmin	≤3 / ≤6										≤5 / ≤10									
動態背隙 $P2^{\text{②}}$	arcmin	≤5 / ≤8										~7 / ~10									
容許轉矩	Nm / arcmin	14										14									
容許動力 $F_{1.5}$	N	3350										3350									
容許轉動力 $F_T^{\text{③}}$	N	1675										1675									
容許壽命	hr	20000										20000									
效率 η	%	>97%										>94%									
重量	kg	3.5										3.6									
使用溫度	°C	10°C ~ 190°C										10°C ~ 190°C									
潤滑		合成潤滑油										合成潤滑油									
防護等級		IP65										IP65									
安裝方式		B5安裝										B5安裝									
噪音 (1m)	dB(A)	≤60										≤60									
軸端重量 J	kg·cm ²	C.61	0.43	0.47	0.45	C.44	0.44	0.13	C.3	0.13	0.13	0.13	0.13	C.3	0.13	0.13	0.13	0.13			

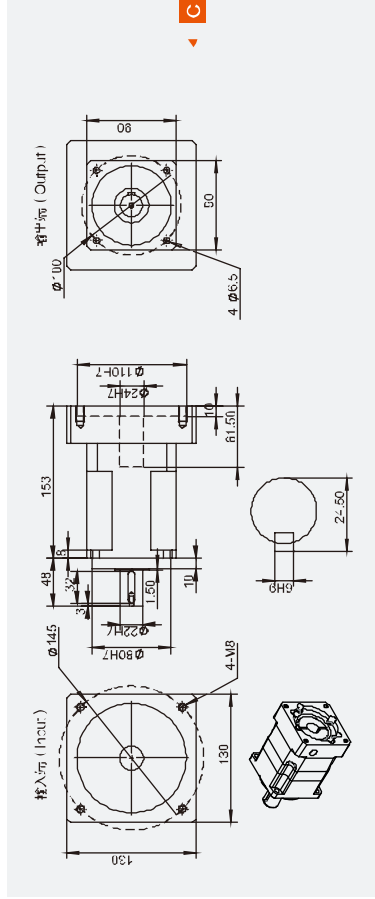
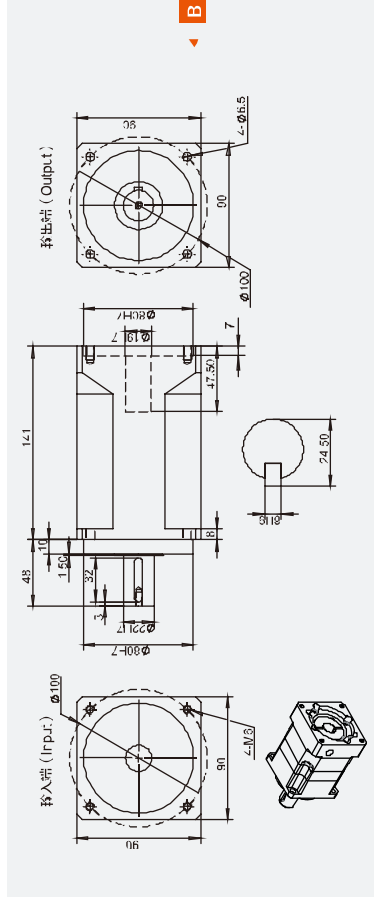
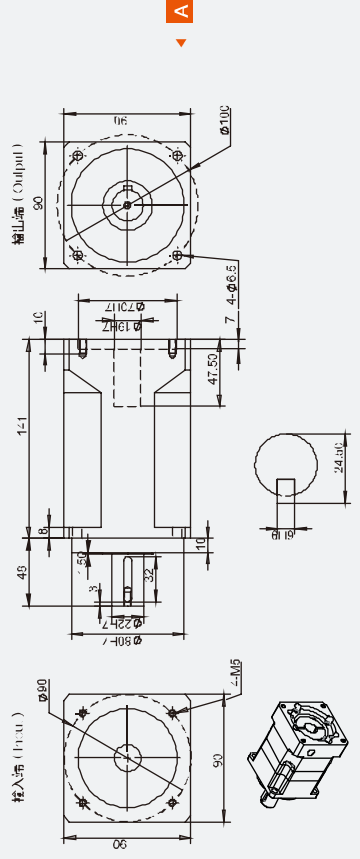
1. 減速比 (i = N_H / N_{out})
2. 容許轉矩為出力之二的特定輸出力矩 (2N) 下測得
3. 輸出轉速 (0.1rpm) 時，以作用於輸出中心為止
4. 在容許轉矩輸入轉速 (1N ~ 3000rpm) 且無負載的情況下測得
5. 連續運轉時，使用壽命為 10000hr
6. 以減速機額定轉速為 10 轉/分 (1000rpm) 為標準
7. 最大容許力矩 T2D ~ 60% of T2N
8. 以上數值為共同參數，如有任何參數與本廠標準不符者，請以實際參數為準
9. 以上參數僅供參考，如有任何參數與本廠標準不符者，請以實際參數為準
10. 如有未註明者，皆與 TAIKUN 規格一致。

DIMENSIONS / 尺寸 (單節, 減速比 i=3-10) (1-STAGE, RATIO i=3-10)



以上圖紙尺寸僅供參考，實際尺寸以產品為準，以上圖紙尺寸以實際參數為準。

DIMENSIONS / 尺寸 (雙節, 減速比=12~100) (1-STAGE, RATIO=12~100)

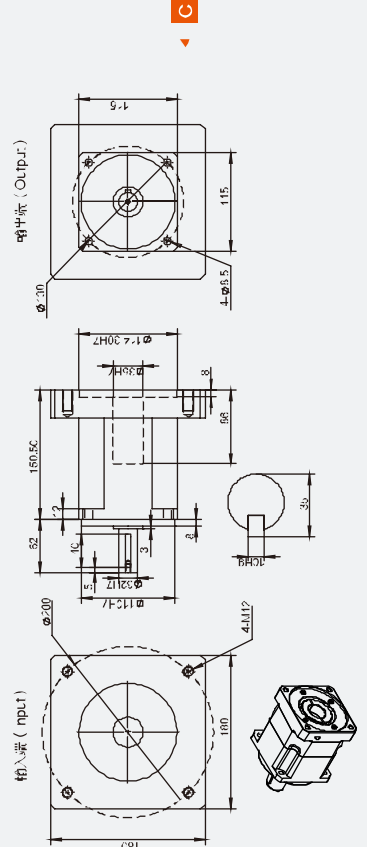
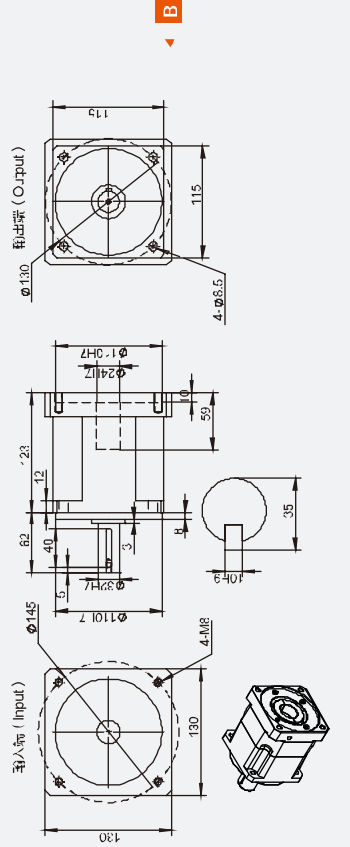
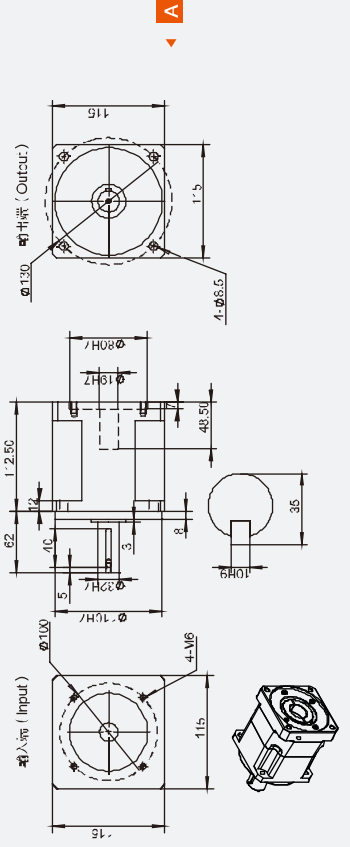


* 以上圖紙尺寸僅供參考，實際尺寸請參閱零件圖紙，圖紙尺寸以零件圖紙為準。

減速機性能資料

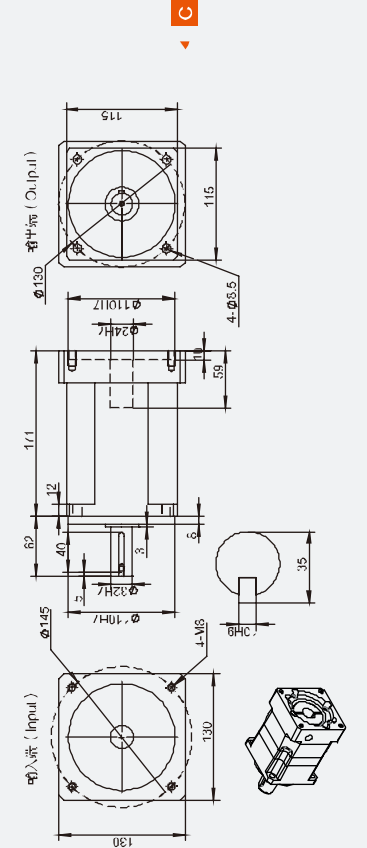
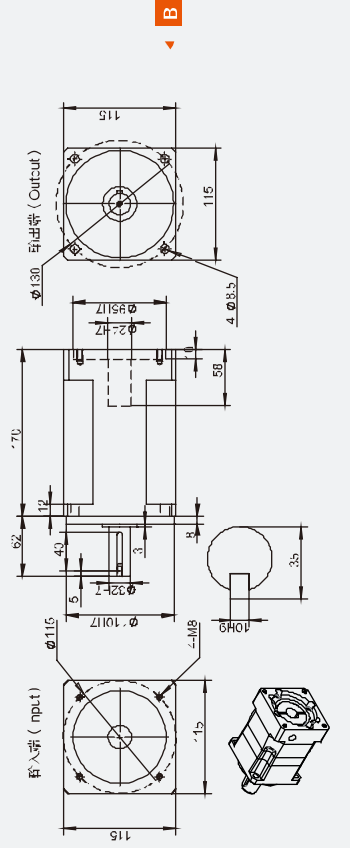
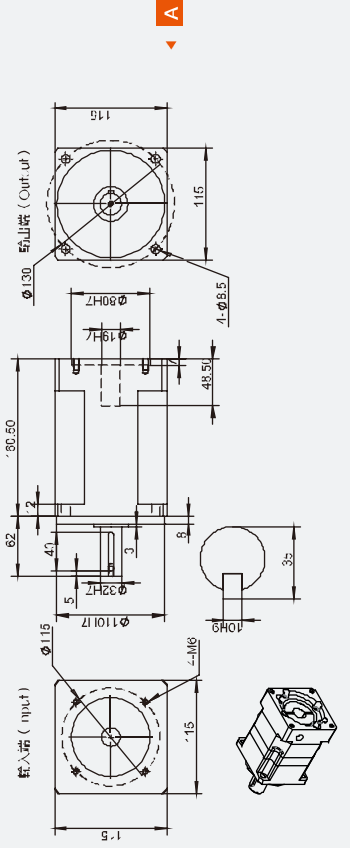
XB115 ZB115	二節										雙節																																																																																																																																																																																																																																																																																																																																																																																																																																																																																														
	減速比 (i)										減速比 (i)																																																																																																																																																																																																																																																																																																																																																																																																																																																																																														
	3	4	5	7	9	10	12	15	20	25	30	35	40	50	70	80	100	30	40	50	70	90	110	130	150	180	210	250	300	360	450	540	630	720	810	900	1080	1260	1500	1800	2100	2500	3000	3600	4500	5400	6300	7200	8100	9000	10800	12600	15000	18000	21000	25000	30000	36000	45000	54000	63000	72000	81000	90000	108000	126000	150000	180000	210000	250000	300000	360000	450000	540000	630000	720000	810000	900000	1080000	1260000	1500000	1800000	2100000	2500000	3000000	3600000	4500000	5400000	6300000	7200000	8100000	9000000	10800000	12600000	15000000	18000000	21000000	25000000	30000000	36000000	45000000	54000000	63000000	72000000	81000000	90000000	108000000	126000000	150000000	180000000	210000000	250000000	300000000	360000000	450000000	540000000	630000000	720000000	810000000	900000000	1080000000	1260000000	1500000000	1800000000	2100000000	2500000000	3000000000	3600000000	4500000000	5400000000	6300000000	7200000000	8100000000	9000000000	10800000000	12600000000	15000000000	18000000000	21000000000	25000000000	30000000000	36000000000	45000000000	54000000000	63000000000	72000000000	81000000000	90000000000	108000000000	126000000000	150000000000	180000000000	210000000000	250000000000	300000000000	360000000000	450000000000	540000000000	630000000000	720000000000	810000000000	900000000000	1080000000000	1260000000000	1500000000000	1800000000000	2100000000000	2500000000000	3000000000000	3600000000000	4500000000000	5400000000000	6300000000000	7200000000000	8100000000000	9000000000000	10800000000000	12600000000000	15000000000000	18000000000000	21000000000000	25000000000000	30000000000000	36000000000000	45000000000000	54000000000000	63000000000000	72000000000000	81000000000000	90000000000000	108000000000000	126000000000000	150000000000000	180000000000000	210000000000000	250000000000000	300000000000000	360000000000000	450000000000000	540000000000000	630000000000000	720000000000000	810000000000000	900000000000000	1080000000000000	1260000000000000	1500000000000000	1800000000000000	2100000000000000	2500000000000000	3000000000000000	3600000000000000	4500000000000000	5400000000000000	6300000000000000	7200000000000000	8100000000000000	9000000000000000	10800000000000000	12600000000000000	15000000000000000	18000000000000000	21000000000000000	25000000000000000	30000000000000000	36000000000000000	45000000000000000	54000000000000000	63000000000000000	72000000000000000	81000000000000000	90000000000000000	108000000000000000	126000000000000000	150000000000000000	180000000000000000	210000000000000000	250000000000000000	300000000000000000	360000000000000000	450000000000000000	540000000000000000	630000000000000000	720000000000000000	810000000000000000	900000000000000000	1080000000000000000	1260000000000000000	1500000000000000000	1800000000000000000	2100000000000000000	2500000000000000000	3000000000000000000	3600000000000000000	4500000000000000000	5400000000000000000	6300000000000000000	7200000000000000000	8100000000000000000	9000000000000000000	10800000000000000000	12600000000000000000	15000000000000000000	18000000000000000000	21000000000000000000	25000000000000000000	30000000000000000000	36000000000000000000	45000000000000000000	54000000000000000000	63000000000000000000	72000000000000000000	81000000000000000000	90000000000000000000	108000000000000000000	126000000000000000000	150000000000000000000	180000000000000000000	210000000000000000000	250000000000000000000	300000000000000000000	360000000000000000000	450000000000000000000	540000000000000000000	630000000000000000000	720000000000000000000	810000000000000000000	900000000000000000000	1080000000000000000000	1260000000000000000000	1500000000000000000000	1800000000000000000000	2100000000000000000000	2500000000000000000000	3000000000000000000000	3600000000000000000000	4500000000000000000000	5400000000000000000000	6300000000000000000000	7200000000000000000000	8100000000000000000000	9000000000000000000000	10800000000000000000000	12600000000000000000000	15000000000000000000000	18000000000000000000000	21000000000000000000000	25000000000000000000000	30000000000000000000000	36000000000000000000000	45000000000000000000000	54000000000000000000000	63000000000000000000000	72000000000000000000000	81000000000000000000000	90000000000000000000000	108000000000000000000000	126000000000000000000000	150000000000000000000000	180000000000000000000000	210000000000000000000000	250000000000000000000000	300000000000000000000000	360000000000000000000000	450000000000000000000000	540000000000000000000000	630000000000000000000000	720000000000000000000000	810000000000000000000000	900000000000000000000000	1080000000000000000000000	1260000000000000000000000	1500000000000000000000000	1800000000000000000000000	2100000000000000000000000	2500000000000000000000000	3000000000000000000000000	3600000000000000000000000	4500000000000000000000000	5400000000000000000000000	6300000000000000000000000	7200000000000000000000000	8100000000000000000000000	9000000000000000000000000	10800000000000000000000000	12600000000000000000000000	15000000000000000000000000	18000000000000000000000000	21000000000000000000000000	25000000000000000000000000	30000000000000000000000000	36000000000000000000000000	45000000000000000000000000	54000000000000000000000000	63000000000000000000000000	72000000000000000000000000	81000000000000000000000000	90000000000000000000000000	108000000000000000000000000	126000000000000000000000000	150000000000000000000000000	180000000000000000000000000	210000000000000000000000000	250000000000000000000000000	300000000000000000000000000	360000000000000000000000000	450000000000000000000000000	540000000000000000000000000	630000000000000000000000000	720000000000000000000000000	810000000000000000000000000	900000000000000000000000000	1080000000000000000000000000	1260000000000000000000000000	1500000000000000000000000000	1800000000000000000000000000	2100000000000000000000000000	2500000000000000000000000000	3000000000000000000000000000	3600000000000000000000000000	4500000000000000000000000000	5400000000000000000000000000	6300000000000000000000000000	7200000000000000000000000000	8100000000000000000000000000	9000000000000000000000000000	10800000000000000000000000000	12600000000000000000000000000	15000000000000000000000000000	18000000000000000000000000000	21000000000000000000000000000	25000000000000000000000000000	30000000000000000000000000000	36000000000000000000000000000	45000000000000000000000000000	54000000000000000000000000000	63000000000000000000000000000	72000000000000000000000000000	81000000000000000000000000000	90000000000000000000000000000	108000000000000000000000000000	126000000000000000000000000000	150000000000000000000000000000	180000000000000000000000000000	210000000000000000000000000000	250000000000000000000000000000	300000000000000000000000000000	360000000000000000000000000000	450000000000000000000000000000	540000000000000000000000000000	630000000000000000000000000000	720000000000000000000000000000	810000000000000000000000000000	900000000000000000000000000000	1080000000000000000000000000000	1260000000000000000000000000000	1500000000000000000000000000000	1800000000000000000000000000000	2100000000000000000000000000000	2500000000000000000000000000000	3000000000000000000000000000000	3600000000000000000000000000000	4500000000000000000000000000000	5400000000000000000000000000000	6300000000000000000000000000000	7200000000000000000000000000000	8100000000000000000000000000000	9000000000000000000000000000000	10800000000000000000000000000000	12600000000000000000000000000000	15000000000000000000000000000000	18000000000000000000000000000000	21000000000000000000000000000000	25000000000000000000000000000000	30000000000000000000000000000000	36000000000000000000000000000000	45000000000000000000000000000000	54000000000000000000000000000000	63000000000000000000000000000000	72000000000000000000000000000000	81000000000000000000000000000000	90000000000000000000000000000000	108000000000000000000000000000000	126000000000000000000000000000000	150000000000000000000000000000000	180000000000000000000000000000000	210000000000000000000000000000000	250000000000000000000000000000000	300000000000000000000000000000000	360000000000000000000000000000000	450000000000000000000000000000000	540000000000000000000000000000000	630000000000000000000000000000000	720000000000000000000000000000000	810000000000000000000000000000000	900000000000000000000000000000000	1080000000000000000000000000000000	1260000000000000000000000000000000	1500000000000000000000000000000000	1800000000000000000000000000000000	2100000000000000000000000000000000	2500000000000000000000000000000000	3000000000000000000000000000000000	3600000000000000000000000000000000	4500000000000000000000000000000000	5400000000000000000000000000000000	6300000000000000000000000000000000	7200000000000000000000000000000000	8100000000000000000000000000000000	9000000000000000000000000000000000	10800000000000000000000000000000000	12600000000000000000000000000000000	15000000000000000000000000000000000	18000000000000000000000000000000000	21000000000000000000000000000000000	25000000000000000000000000000000000	30000000000000000000000000000000000	36000000000000000000000000000000000	45000000000000000000000000000000000	54000000000000000000000000000000000	63000000000000000000000000000000000	72000000000000000000000000000000000	81000000000000000000000000000000000	90000000000000000000000000000000000	108000000000000000000000000000000000	126000000000000000000000000000000000	150000000000000000000000000000000000	180000000000000000000000000000000000	210000000000000000000000000000000000

DIMENSIONS / 尺寸 (單節, 減速比=3~10) (1-STAGE, RATIO=3~10)



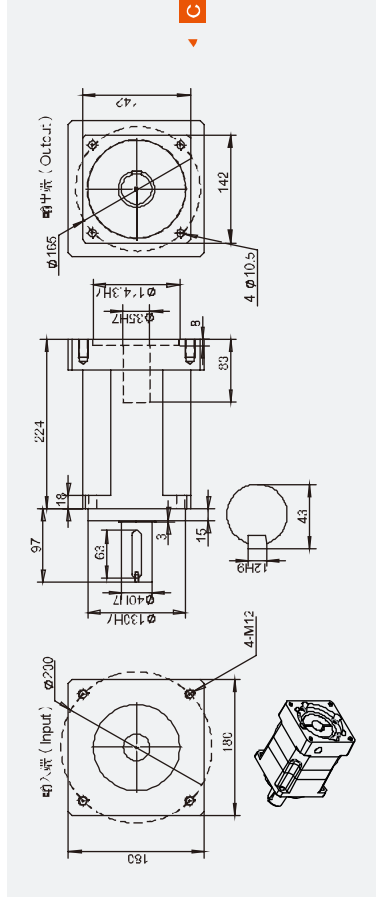
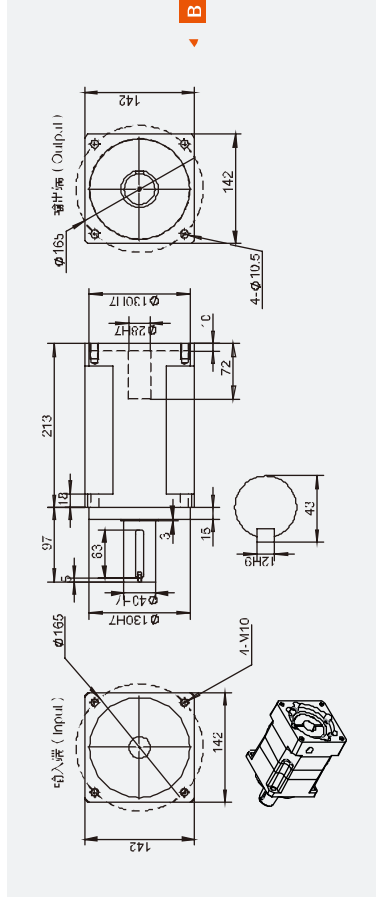
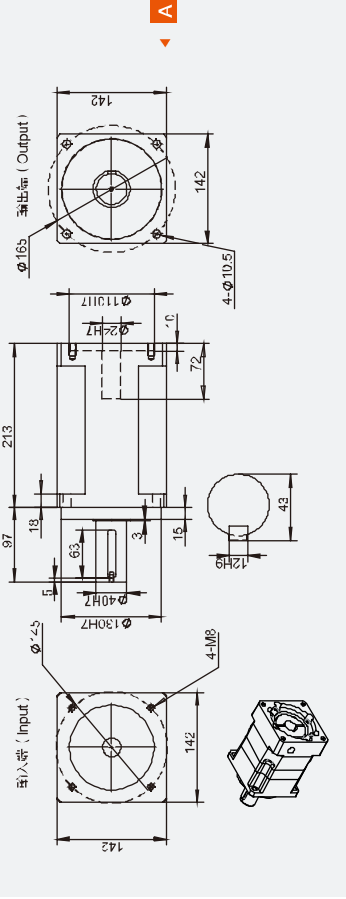
• 以上圖紙尺寸僅供參考，實際產品尺寸請參閱圖紙，圖紙與圖紙以外所給尺寸為準。

DIMENSIONS / 尺寸 (雙節, 減速比=12~100) (1-STAGE, RATIO=12~100)



• 以上圖紙尺寸僅供參考，實際產品尺寸請參閱圖紙，圖紙與圖紙以外所給尺寸為準。

DIMENSIONS / 尺寸 (雙節, 減速比=12~100) (1-STAGE, RATIO=12~100)



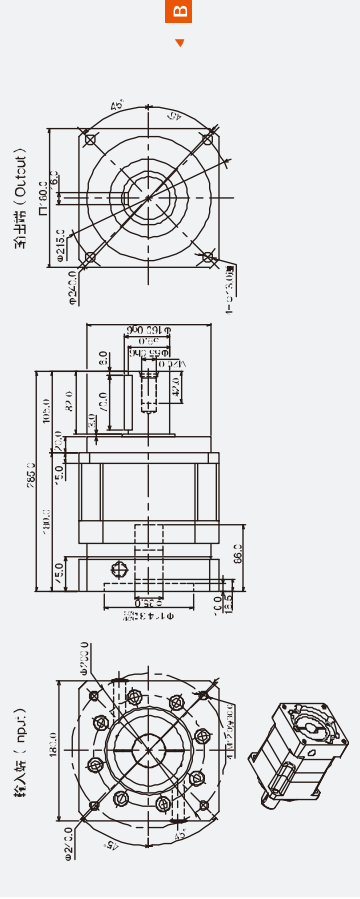
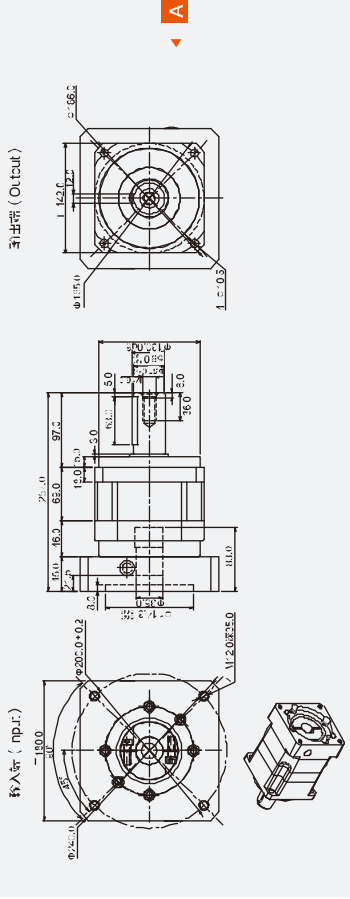
• 以上圖紙尺寸僅供參考，實際尺寸請以產品圖紙為準，圖紙尺寸以毫米為單位。

減速機性能資料

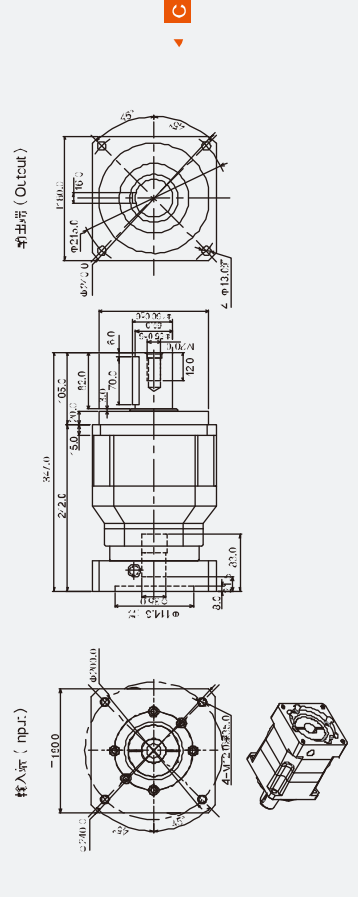
XB180 ZB180	二節										雙節										
	減速比 (i)										減速比 (i)										
額定輸出力矩 I _s	N.m	1050	1200	1000	900	1000	900	70	70	70	15	20	25	30	35	40	50	70	80	100	
額定輸出力矩 I _s	N.m	588	1050	1200	1000	900	588	588	1050	1200	1000	1200	1100	1000	1200	1000	1200	1000	1000	900	
額定輸出轉速 n ₀	rpm	二節輸出/輸出力矩																			
最大輸入轉速 n ₁	rpm	3000																			
最大輸入轉速 n ₂	rpm	5000																			
迴轉慣性矩 J ₀ ¹⁾	g·cm ²	~1 / ~																			
額定溫度 P1 ²⁾	°C	≤3 / ≤10																			
額定溫度 P2 ³⁾	°C	≤5 / ≤8																			
淨重 (kg)	kg	145																			
容許靜力 F _{st} ⁴⁾	N	~500																			
容許動力 F _{st} ⁵⁾	N	785																			
使用壽命 ⁶⁾	hr	20000																			
效率 ⁷⁾	%	>97%																			
二重	K ₂	2 /																			
使用溫度	°C	10°C ~ 130°C																			
減速機		每減速機/組																			
安裝方式		B2安裝方式																			
噪音 L ₁₀ ⁸⁾	dB(A)	≤67																			
輔助電壓 J	V _{DC}	28.38	23.67	23.29	22.48	22.59	22.5	22.5	7.42	7.42	7.42	7.42	7.42	7.42	7.42	7.42	7.42	7.03	7.03	7.03	

- 減速比 (i=N₁/N₂)
- 容許靜力 F_{st} 為最大容許力矩之 2 倍 (容許動力 F_{st} 為最大容許力矩之 1.5 倍)
- 容許動力 F_{st} 為最大容許力矩之 1.5 倍 (容許靜力 F_{st} 為最大容許力矩之 2 倍)
- 在額定輸入轉速 (N=3000rpm) 時，容許靜力 F_{st} 之值如下列
- 連續使用時，使用壽命為 10000hr
- 減速機之容許溫度為 10°C ~ 130°C (容許溫度 30°C 以下)
- 最大容許溫度為 100°C (容許溫度 60°C 以下)
- 以上圖紙尺寸僅供參考，實際尺寸請以產品圖紙為準
- 以高容許溫度為參考，如有任何變更請向本公司洽詢
- 如有任何變更，請向本公司洽詢

DIMENSIONS / 尺寸 (單節, 減速比=3~10) (1-STAGE, RATIO=3~10)



DIMENSIONS / 尺寸 (雙節, 減速比=12~100) (2-STAGE, RATIO=12~100)

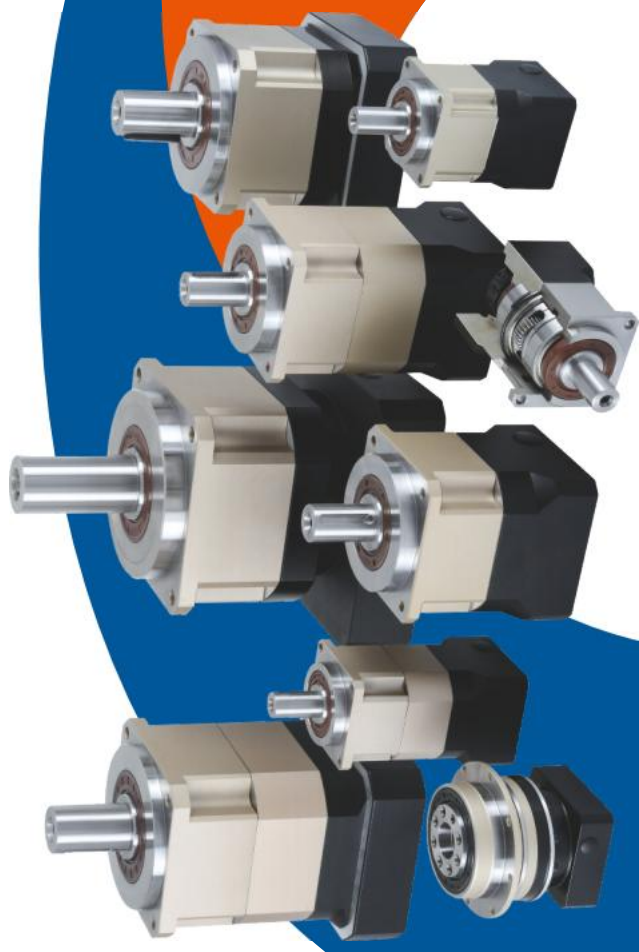


* 以上圖紙尺寸僅供參考，實際產品尺寸請洽本公司，本公司保留修改權與尺寸。

專注于高端行星減速機的 研發生產及銷售

產品廣泛應用於數控機床、機械手、制藥行業、紡織機械、印刷機械、冶金傾山、太陽能、風力發電等多行業。

www.taikun.com



XD SERIES

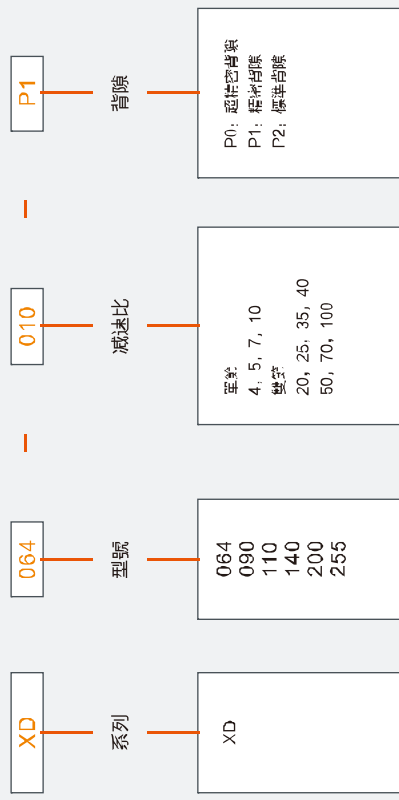
伺服行星減速機
Servo Planetary Reducer



- 最低的回程間隙
- 高效率 (97%)
- 安裝空間小
- 傳動多樣性

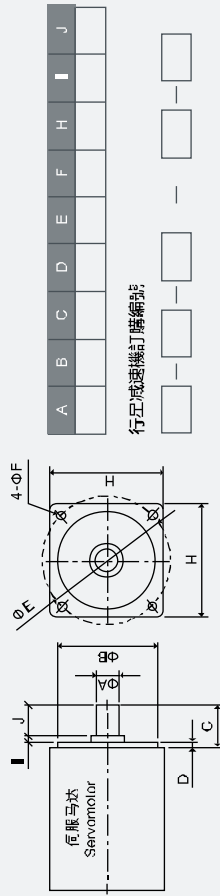
- 輸出轉矩高
- 低噪音
- 潤滑免維護

型號定義 (示例)



馬達型號：馬達製造及型號
適用範例：XD060-010-P1

訂貨須知



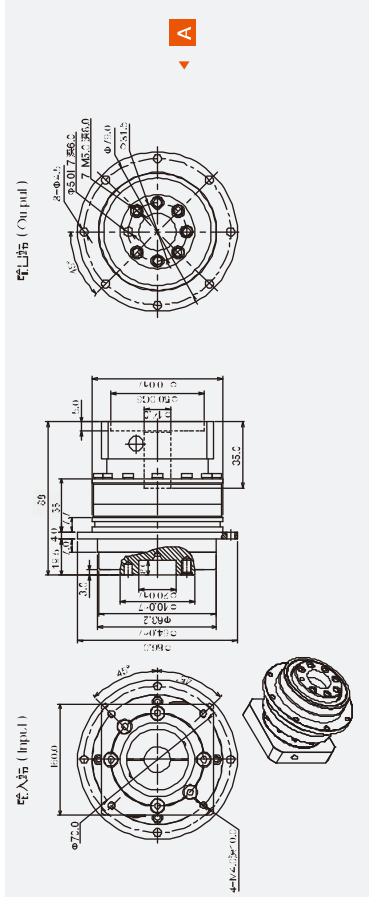
- 機種、型號、馬力
- 減速比或每分鐘轉數
- 荷重及連結方式
- 欲安裝的機械名稱
- 入力方式和入力轉速
- 馬達輸出型號、型號及馬達軸尺寸
- Type, mode and horse power
- Speed ratio or R.P.M. or output shaft
- Method of connection and load factor
- Quantity and what kind of machinery
- Speed ratio or R.P.M. or input shaft Motor
- Motor brand & Model no or frame & motor shaft dimension

減速機性能資料

XD064	二節						雙節					
	減速比 (i)						減速比 (i)					
	4	5	7	10	20	25	35	40	50	70	100	
額定輸出扭矩 T_{out}	N.m	48	60	50	40	48	60	50	48	60	50	40
最大輸出扭矩 T_{max}	N.m	二倍額定輸出扭矩										
額定輸入轉速 n_{in}	rpm	5000										
最大輸入轉速 n_{in}	rpm	10000										
連續輸出扭矩 T_{out}	acorrin	-										
最大輸出扭矩 T_{out}	acorrin	≤ 3										
標定齒輪 PZ2	acorrin	≤ 7										
規格別	Nm / acorrin	13										
最大輸出扭矩 M_{out}	N	125										
容許軸向力 F_{ax}	N	1650										
使用壽命 ¹⁾	hr	30000										
效率 η	%	> 97%										
質量	kg	1.3										
使用溫度	°C	10°C ~ 190°C										
規格		奇形規格別										
脫殼等級		IP65										
安裝方向		任意方向										
噪音值 (3m)	dB(A)	≤ 58										
容許慣性 J_L	kg·cm ²	0.14	0.13	0.13	0.13	0.13	0.03	0.03	0.03	0.03	0.02	0.03

1. 減速比 (i = N_{in}/N_{out})
2. 容許軸向力為自身質量之二的特定輸出扭矩 (2N) 下測得
3. 軸中轉速 1000rpm 時，作用於輸出中心軸
4. 在容許輸入轉速 17N ~ 3000rpm 且無負載的情況下測得
5. 連續運轉時，使用壽命為 10000hr
6. 以減速機額定輸出 = 10 類 = 1000 轉速 3000rpm 為標準測得
7. 最大輸出扭矩 T2D ~ 60% c T2Not
8. 以上數值為共同參數，如有異常所售資料請不參攷
9. 以上參數僅供參考，如有任何疑問不另行通知，請以規格書為準
10. 如有未註明者，請向 TAIKUN 聯絡。

DIMENSIONS / 尺寸 (單節, 減速比 i=4~10) (1-STAGE, RATIO i=4~10)

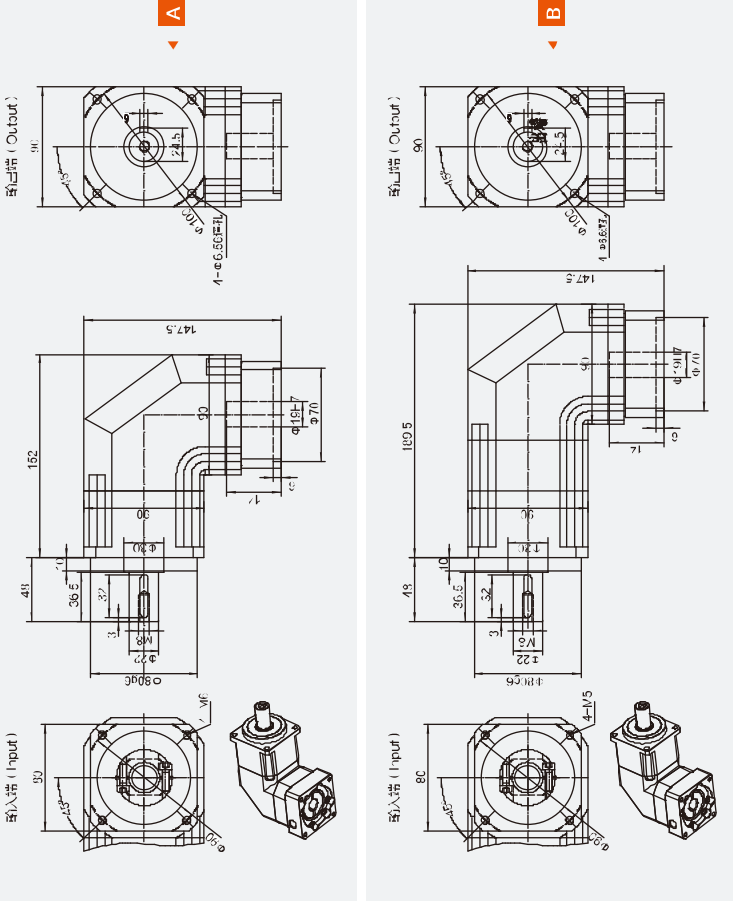


減速機性能資料

XBR090 ZBR090	型號										規格											
	減速比 (i)										減速比 (i)											
	3	4	5	7	9	10	15	20	25	30	35	40	50	70	80	100	30	40	50	70	80	100
額定輸出力矩 T_h	Nm																					
額定輸入轉速 n_{in}	rpm																					
最大輸入轉速 n_{in}	rpm																					
輸出背隙 Δn°	≤ 4																					
輸出背隙 Δn°	≤ 4																					
輸出背隙 Δn°	≤ 6																					
齒輪中心距	mm / acorn																					
齒輪模數 m°	3.25																					
容許背力 F_{ax}°	N																					
容許背力 F_{rx}°	N																					
容許背力 F_{tx}°	N																					
容許背力 F_{ax}°	N																					
效率 %	$> 95\%$																					
重量 kg	6.4																					
使用溫度 $^{\circ}C$	10C ~ 190C																					
潤滑	合成潤滑油																					
防護等級	IP65																					
安裝方式	B 型安裝																					
噪音值 $dB(A)$	≤ 65																					
扭矩單位 J	2.25	2.25	2.25	2.25	2.25	2.25	2.25	2.25	2.25	2.25	2.25	2.25	2.25	2.25	2.25	2.25	2.25	2.25	2.25	2.25	2.25	2.25

1. 減速比 (i=N₁/N₂)
2. 容許背力為用戶之二的容許輸出力矩 (N) 下測得
3. 容許背力 2000mm 時，作用於輸出中心
4. 容許背力輸入轉速 1700-3000rpm 且負載轉速如下列時
5. 連續運轉時，使用壽命為 10000hr
6. 以減速機額定之 10 級 (1000 轉速) 3000rpm 為標準
7. 最大容許力矩 T_D - 60% c T_{2N} 時
8. 以上數值為共同參數，如有任何異常，請與本公司洽詢
9. 以上參數僅供參考，如有任何異常，請與本公司洽詢
10. 如有未註明者，請與 TAIKUN 洽詢

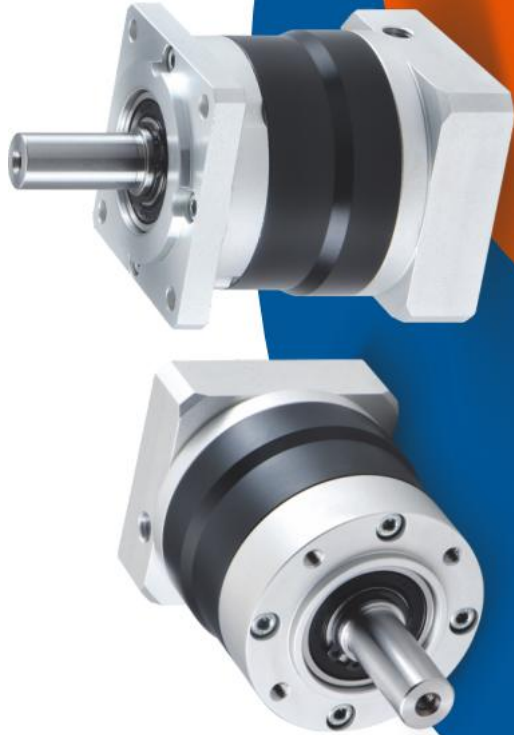
DIMENSIONAL DRAWING / 尺寸圖紙



以上圖紙尺寸僅供參考，實際產品尺寸請洽本公司，所有尺寸均以實際產品為準。

PZE/PZF SERIES

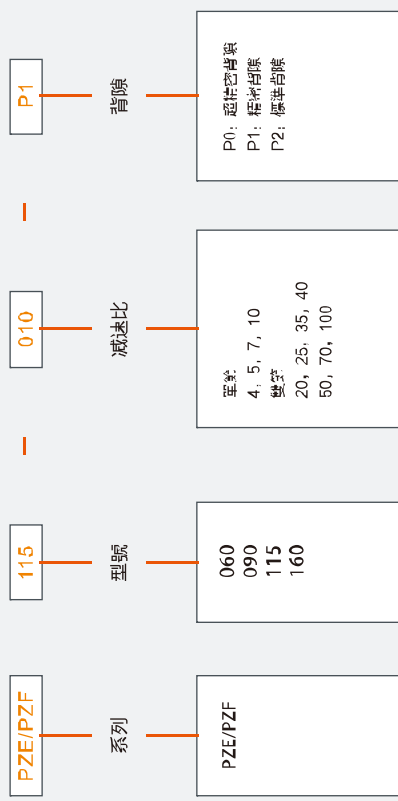
伺服行星減速機
Servo Planetary Reducer



- 最低的回程間隙
- 高效率 (95%)
- 安裝空間小
- 傳動多樣性

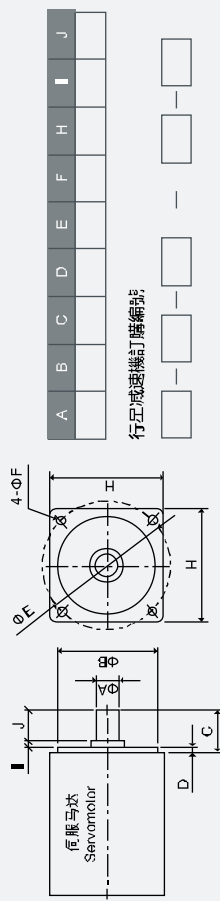
- 輸出靜扭力
- 低噪音
- 潤滑免維護

型號定義 (示例)



馬達型號：馬達製造及型號
選用範例：PZE/PZF115-010-P1

訂貨須知



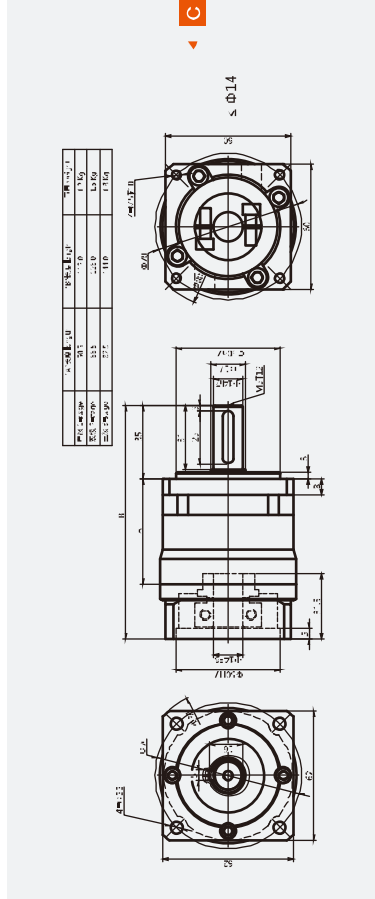
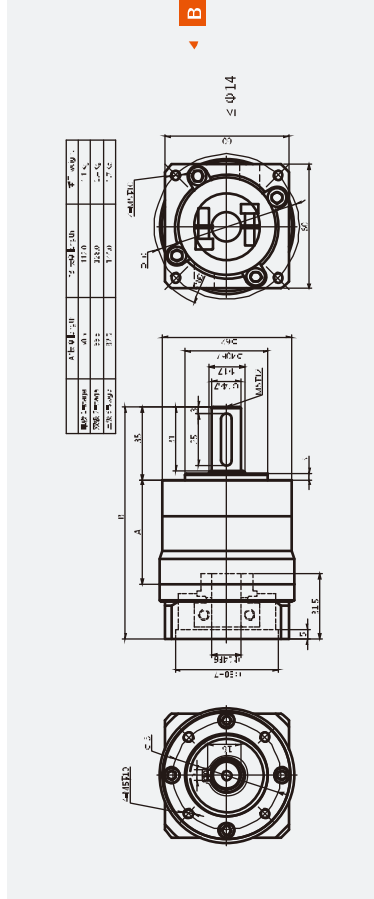
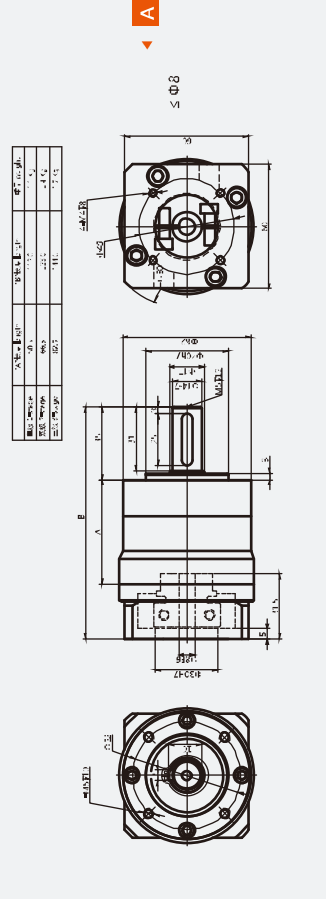
- 機種、型號、馬力
- 減速比或每分鐘轉數
- 荷重及連結方式
- 接口及被安裝的機械名稱
- 入力方式和入力轉速
- 馬達輸出型號、安裝方法及馬達軸尺寸
- Type, mode and horse power
- Speed ratio or R.P.M. or output shaft
- Method of connection and load factor
- Quantity and what kind of machinery
- Speed ratio or R.P.M. or input shaft Motor
- Motor brand & Model no or frame & motor shaft dimension

減速機性能資料

PZE060 PZF060	型號		減速比 ⁽¹⁾							型號						
	5	4	5	7	10	12	16	20	25	28	35	40	50	70		
額定輸出功率 P ₂	Nm	15.8	25.5	27.5	19.2	12	28	29	29.5	31.5	29.5	31.5	29.5	31.5	22.5	
輸出力矩 T ₂	Nm	一併輸出到輸出軸														
額定輸入轉速 n ₁	rpm	4000														
最大輸入轉速 n _{1max}	rpm	5000														
輸出背隙 RV ⁽²⁾	arcmin	-														
靜音背隙 P1 ⁽³⁾	arcmin	-														
動態背隙 P2 ⁽³⁾	arcmin	< 8														
減速比 i	Nm / arcmin	2:3														
齒輪材料 F _{1,2} ⁽⁴⁾	N	400														
容許力矩 T _{2F} ⁽⁵⁾	N	300														
使用壽命 ⁽⁶⁾	hr	20000														
效率 η	%	> 50%														
最低工作溫度	°C	-20°C														
最高工作溫度	°C	190°C														
潤滑		凡士輪滑														
防護等級		IP65														
安裝方式		巨齒方向														
噪音值 ⁽⁷⁾	dB(A)	≤ 58														
空載重量	Nm	0.6	0.6	0.5	0.6	0.6	0.6	0.6	0.3	0.3	0.3	0.3	0.3	0.3	0.3	

- 減速比 (1-N₁/N₂)
- 若額定輸出力矩之二的特定輸出力矩 T₂ 作用於輸出軸
- 輸出轉速 1000rpm 時，作用於輸出軸中心
- 在容許輸入轉速 1700-3000rpm 且負載轉速如下列時
- 運轉時間時，使用壽命為 10000hr
- 以減速機額定輸出力矩 = 10 倍 = 100% 速度 3000rpm 為標準
- 最大輸出力矩 T_{2D} = 60% c T_{2N} 額定
- 以上數值為共同參數，但不同型號之材料將有不同參數
- 以參數為準，如有任何型號不在此範圍內，請以圖樣為準
- 如有其他需求，請與 TAIKUN 聯繫

DIMENSIONAL DRAWING / 尺寸圖紙



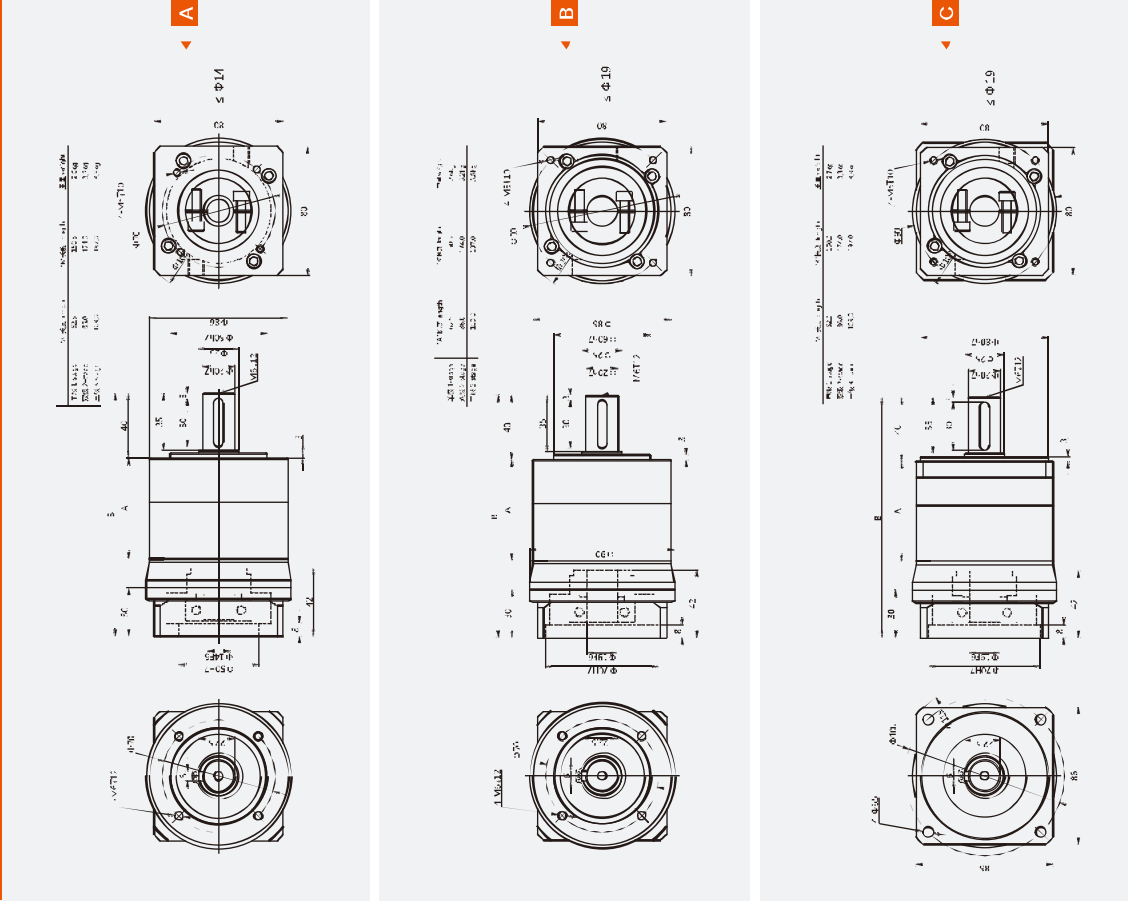
以上圖紙尺寸僅供參考，實際尺寸以圖樣為準，以上圖紙係以圖樣為準。

減速機性能資料

PZE090 PZF090	型號														
	減速比 ⁽¹⁾														
	5	4	5	7	10	12	16	20	25	28	35	40	50	70	
額定輸出力矩 T_h	Nm	60	88	95	60	40	98	98	105	98	105	98	100	75	
輸出力矩 T_{10}	Nm	一倍額定輸出力矩													
額定輸入轉速 n_H	rpm	3500													
最大輸入轉速 n_{10}	rpm	5000													
出軸容許扭動 $\theta^{(2)}$	arcmin	-													
靜音指數 $PI^{(3)}$	arcmin	-													
噪聲指數 $PZ^{(3)}$	arcmin	< 8													
容許剛性 ⁽⁴⁾	Nm / arcmin	/ 5													
容許慣性力矩 $J_{e,4}$	N	105C													
容許慣性力矩 $J_{e,7}$	N	8b)													
使用壽命 ⁽⁵⁾	hr	20000													
效率 ⁽⁶⁾	%	> 50%													
最低工作溫度	°C	-20°C													
最高工作溫度	°C	190°C													
潤滑		凡油潤滑													
防護等級		IP65													
安裝方式		任意方向													
噪音值 ⁽⁷⁾	dB(A)	≤ 60													
空載重量	Nm	0.7	0.7	0.7	0.7	0.7	0.4	0.4	0.4	0.4	0.4	0.4	0.4	0.4	

- 減速比 $(i = N_1 / N_2)$
- 出軸容許扭動為百分之二的容許輸出力矩 $T_h / 2$ 下測得
- 輸出轉速 0.01rpm 時，以輸出軸中心為基準
- 在容許輸入轉速 $n_H = 3000$ rpm 且負載轉速如下測得
- 空載運轉時，使用壽命為 10000hr
- 以減速機額定輸出力矩 $T_h = 100$ Nm 速度 3000rpm 為基準測得
- 最大輸出力矩 $T_{10} = 60\% \times T_h$
- 以上數值為共同參數，如有任何參數與資料不符者，請以圖樣為準
- 以上參數僅供參考，如有任何疑問請洽本公司，請以圖樣為準
- 如有未註明者，請洽 TAIKUN 總經銷。

DIMENSIONAL DRAWING / 尺寸圖紙



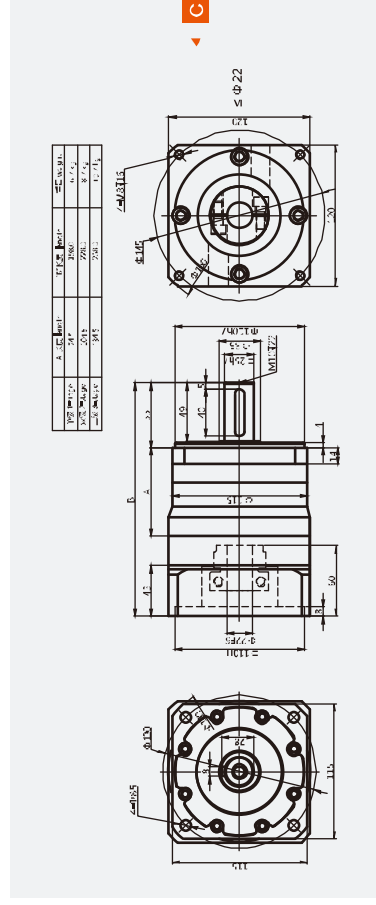
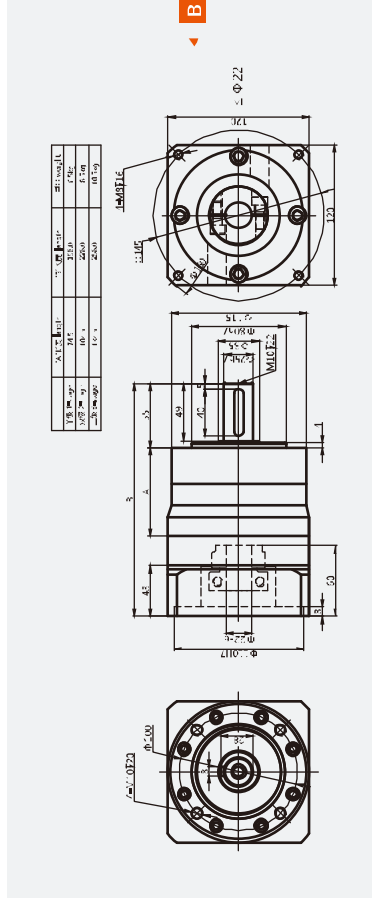
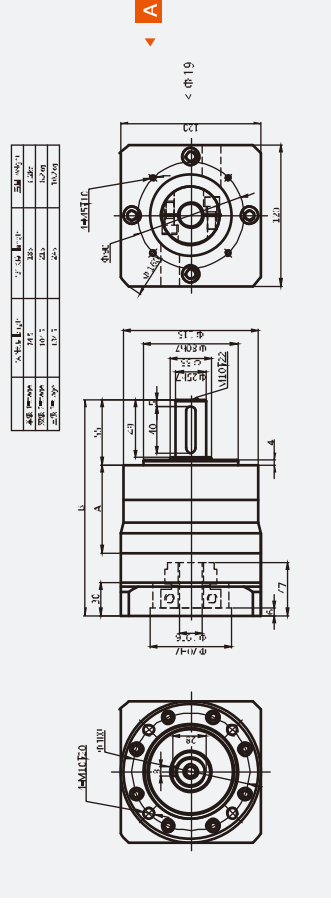
以上圖紙尺寸僅供參考，實際尺寸以圖樣為準，以上圖紙僅供參考，請洽 TAIKUN 總經銷。

減速機性能資料

PZE115 PZF115	型號		變速											
	減速比 ⁽¹⁾		減速比 ⁽²⁾											
額定輸出功率 P ₂	5	4	5	7	10	12	16	20	25	28	35	40	50	70
Nm	150	225	240	160	90	250	250	250	270	250	270	250	270	180
額定輸出扭矩 T ₂	一階齒輪輸出扭矩													
額定輸入轉速 n ₁	3000													
最大輸入轉速 n _{1max}	5000													
輸出背負重 M ₂ ⁽³⁾	-													
額定背負重 P ₁ ⁽⁴⁾	-													
最大背負重 P ₂ ⁽⁵⁾	< 8													
容許轉速 n ₂	16													
容許轉速 n _{2max}	20000													
效率 η	> 50%													
最低工作溫度	-20°C													
最高工作溫度	190°C													
潤滑	凡士頓牌													
防護等級	IP65													
安裝方式	任意方向													
噪音值 ⁽⁶⁾	≤62													
空載扭矩	1.2	1.2	1.2	1.2	1.2	1.2	1.2	1.2	1.2	1.2	1.2	1.2	1.2	1.2

- 減速比 (i=N₁/N₂)
- 若額定輸出功率為 1/2 的特定輸出扭矩 T₂ 下測得
- 輸出轉速 1000rpm 時，作用於輸出中心軸
- 在容許輸入轉速 1700-3000rpm 且負載轉速如下測得
- 連續運轉時，使用壽命為 10000hr
- 以減速機額定輸出為 10 級=1000 轉速 3000rpm 為標準測得
- 最大輸出扭矩 T_{2D} = 60% c T₂ Not
- 以上數值為共同參數，如有任何參數與本廠所標者不同，請以標註為準
- 以上參數僅供參考，如有任何參數不為本廠所標，請以標註為準
- 如有未註明者，請洽 TAIKUN 總廠。

DIMENSIONAL DRAWING / 尺寸圖紙



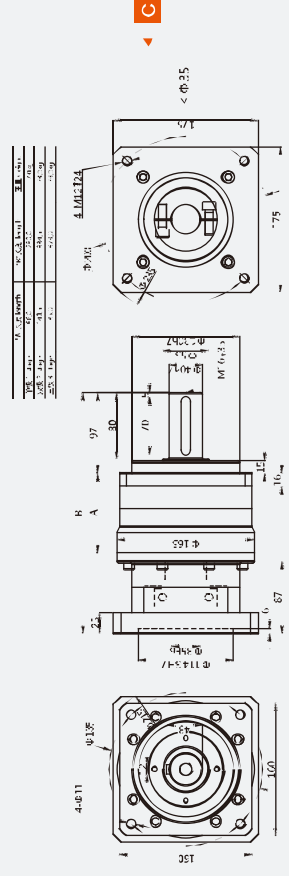
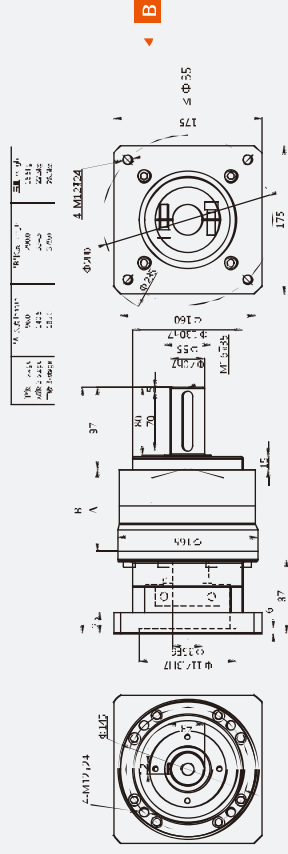
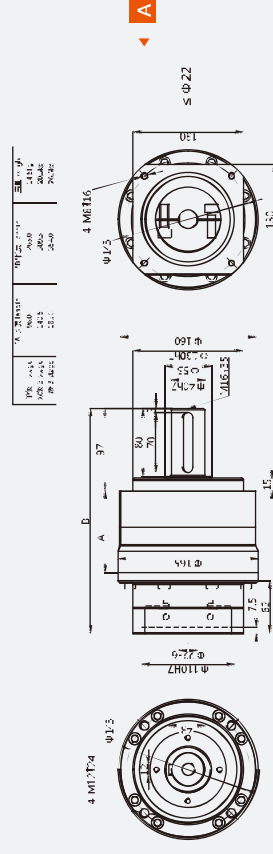
以上圖紙尺寸僅供參考，實際尺寸以產品圖紙為準，以上圖紙係以公制單位及英寸。

減速機性能資料

PZE160 PZF160	型號														
	減速比 ⁽¹⁾														
	5	4	5	7	10	12	16	20	25	28	35	40	50	70	
傳遞額定功率 I _N	310	405	420	270	-	240	680	680	400	680	-	400	310	310	
輸出扭矩 T ₂₀	一體輸出型行星														
額定輸入轉速 n _{in}	2500														
最大輸入轉速 n ₁₀	4500														
輸出容許背負 P ₀ ⁽²⁾	-														
靜音指數 P1 ⁽³⁾	-														
噪聲指數 P2 ⁽³⁾	≤10														
容許轉矩	Nm /kgcm														
容許轉矩 P ₁ ⁽⁴⁾	30														
容許轉矩 P ₂ ⁽⁴⁾	10000														
容許轉矩 P ₃ ⁽⁴⁾	16000														
容許壽命 ⁽⁵⁾	hr														
效率 ⁽⁶⁾	%														
最低工作溫度	°C														
最高工作溫度	°C														
潤滑	凡士潤滑														
防護等級	IP65														
安裝方式	巨齒方向														
噪音值 ⁽⁷⁾	dB(A)														
容許扭矩	3.2	3.2	3.2	3.2	3.2	3.2	2	2	2	2	2	2	2	2	

- 減速比 (1-N_i/N_o)
- 若額定功率為百分之二的特定輸出力矩 (20N₂) 下測得
- 輸出轉速 (000rpm) 時，以作用於輸出中心為宜
- 在容許輸入轉速 (750-3000rpm) 且負載的情況下測得
- 運轉時間時，使用壽命為 10000hr
- 以減速機額定功率為 10 倍 (100%) 速度 (3000rpm) 輸出時測得
- 最大輸出力矩 (2D - 60% c T₂₀)
- 以上數值為共同參數，如有任何參數與本資料不符者，請以實際參數為準
- 以上參數僅供參考，如有任何參數與本資料不符者，請以實際參數為準
- 如有任何參數與本資料不符者，請與 TAIKUN 聯絡。

DIMENSIONAL DRAWING / 尺寸圖紙



以上圖紙尺寸僅供參考，實際尺寸以產品圖紙為準，如有任何參數與本資料不符者，請與 TAIKUN 聯絡。

ZRE/ZRF SERIES

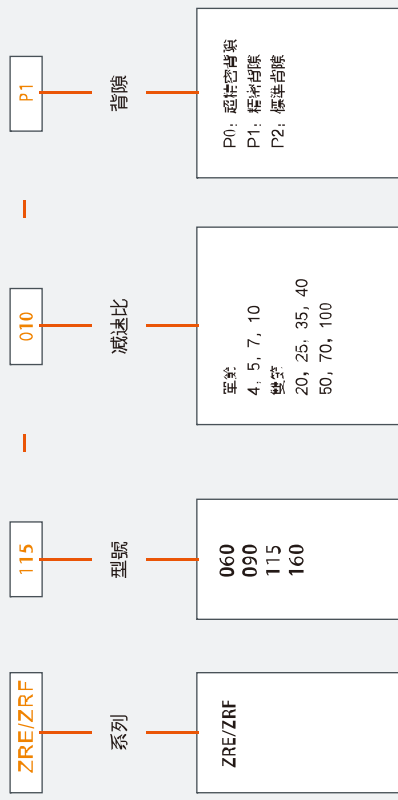
伺服行星減速機
Servo Planetary Reducer



- 最低的回程間隙
- 高效率 (95%)
- 安裝空間小
- 傳動多樣性

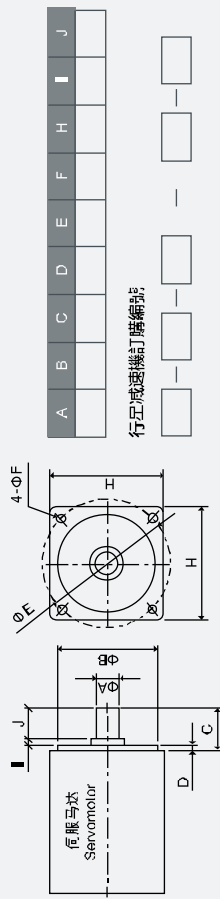
- 輸出靜止告
- 低噪音
- 潤滑免維護

型號定義 (示例)



馬達型號：馬達製造及型號
適用範圍：ZRE/ZRF 115-010-P1

訂貨須知



- 機型、型號、馬力
- 減速比或每分鐘轉數
- 荷重及連結方式
- 接口及被安裝的機械名稱
- 入力方式和入力轉速
- 馬達輸出型號、安裝方法及馬達軸尺寸
- Type, mode and horse power
- Speed ratio or R.P.M. or output shaft
- Method of connection and load factor
- Quantity and what kind of machinery
- Speed ratio or R.P.M. or input shaft Motor
- Motor brand & Model no or frame & motor shaft dimension

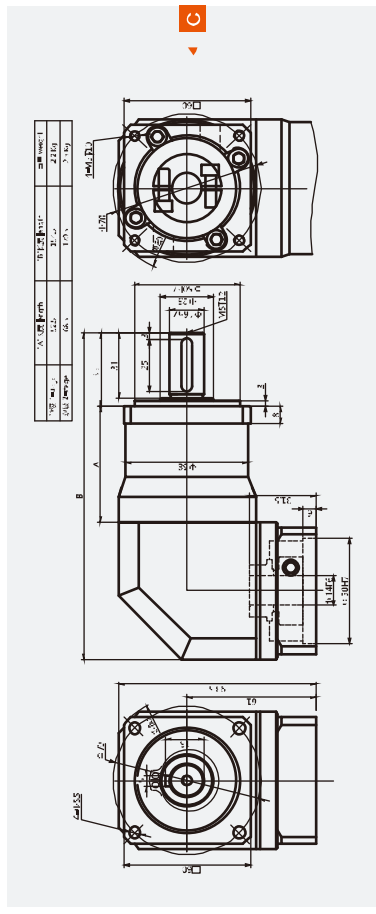
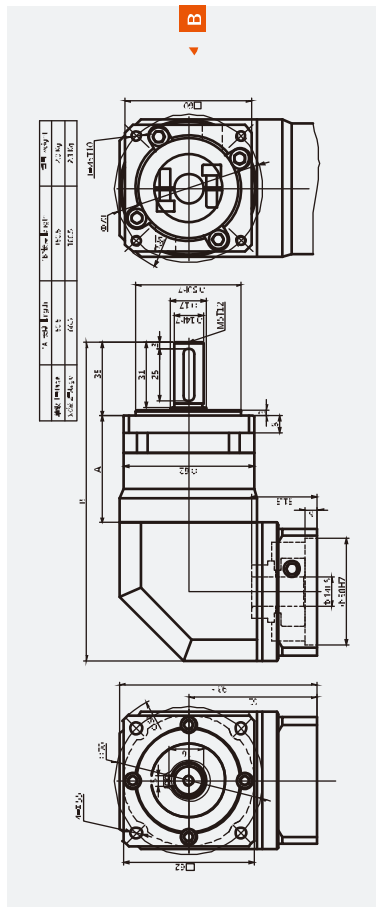
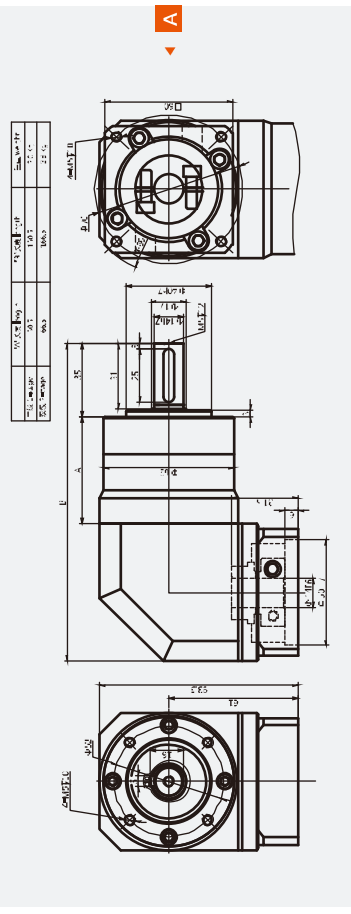
減速機性能資料

ZRE060 ZRF060	型號		減速比 ⁽¹⁾												
	5	4	5	7	10	12	16	20	25	28	35	40	50	70	
額定輸出功率 I _s	Nm	15.8	25.5	27.5	19.2	12	28	29	29.5	31.5	29.5	31.5	29.5	31.5	22.5
輸出力矩 T ₁₀	Nm	一階齒輪輸出力矩													
額定輸入轉速 n _{in}	rpm	4000													
最大輸入轉速 n ₁₀	rpm	5000													
輸出背隙 RV ⁽²⁾	arcmin	-													
輸出背隙 P1 ⁽²⁾	arcmin	-													
總背隙 P2 ⁽²⁾	arcmin	≤10													
減速比 i	Nm / arcmin	2:3													
容許輸出力 F _{1.5} ⁽³⁾	N	400	500												
容許輸出力 F _{1.5'} ⁽³⁾	N	300	380												
容許壽命 ⁽⁴⁾	hr	20000													
效率 η	%	≥94%													
最低工作溫度	°C	-20°C													
最高工作溫度	°C	190°C													
潤滑		凡士輪油													
防護等級		IP65													
安裝方式		任意方向													
旋轉方向		標準、噴入可調													
噪音值 L ₁	dB(A)	≤60													
容許力矩	Nm	0.6	0.6	0.5	0.6	0.6	0.6	0.3	0.3	0.3	0.3	0.3	0.3	0.3	0.3

- 減速比 (i = N_{in} / N_{out})
- 背隙是在受1/10之二階齒輪輸出力矩下測得
- 輸出轉速 2000rpm, 并作作用於輸出中心位置
- 在額定輸入轉速 N_{in} = 3000rpm 且無負載的情況下測得
- 運轉時間時, 使用壽命 10000hr

- 以減速機額定輸出力矩 10 倍 (i = 10) 測試 3000 rpm 齒輪減速機
- 最大加速力矩 T2B = 60% of T2 Not
- 以上黃色區域為參考, 紅色為所選, 藍色為不。參數
- 以上參數僅供參考, 如有任何疑問請不另行通知, 請以原廠為準
- 如有任何需求, 請洽 TAIKUN 廠務。

DIMENSIONAL DRAWING / 尺寸圖紙



以上圖紙尺寸僅供參考, 實際尺寸以產品圖紙為準, 以上圖紙係以英寸及公制。

減速機性能資料

ZRE090 ZRF090	型號														
	減速比 (i)														
	5	4	5	7	10	12	16	20	25	28	35	40	50	70	
傳遞輸出力矩 T_h	N·m	60	88	95	60	40	98	98	105	98	105	98	100	75	
輸出力矩 T_{out}	N·m	一階輸出力矩													
傳遞輸入轉速 n_{in}	rpm	3500													
最大輸入轉速 n_{in}	rpm	5000													
迴轉慣性背負 IO^2	kg·cm ²	-													
靜態背負 PI^2	kg·cm ²	-													
動態背負 $P2^2$	kg·cm ²	≤10													
迴轉慣性 IO	kg·cm	/±													
齒輪材料 $F_{1.4}$	N	105C													
容許輸出力矩 T_{out}	N	8b)													
使用壽命 ⁶⁾	hr	20000													
效率 ⁷⁾	%	>50%													
最低工作溫度	°C	-20°C													
最高工作溫度	°C	190°C													
潤滑		凡士潤滑													
防護等級		IP65													
安裝方式		巨型方向													
旋轉方向		標準, 啮入可調													
噪音值 ⁸⁾	dB(A)	≤62													
容許力矩	Nm	0.7	0.7	0.7	0.7	0.7	0.7	0.7	0.7	0.7	0.4	0.4	0.4	0.4	0.4

1. 減速比 $(i = N_1/N_2)$

2. 背負是在受1/10之二階減速時, 於TN下列時

3. 輸出轉速: 000rpm, 並作用於輸出中心位置

4. 在額定輸入轉速 $V_N = 3000$ rpm 且負載情況下測得

5. 運轉時間時, 使用壽命 10000hr

6. 以減速機額定之10倍(100)或 3000 rpm 齒輪材料

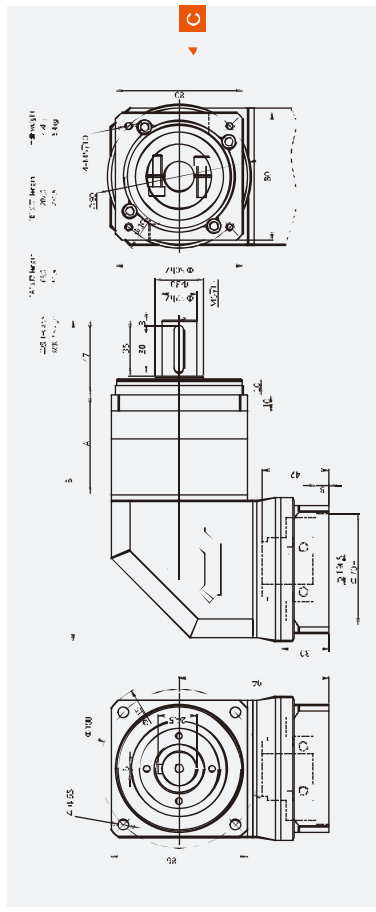
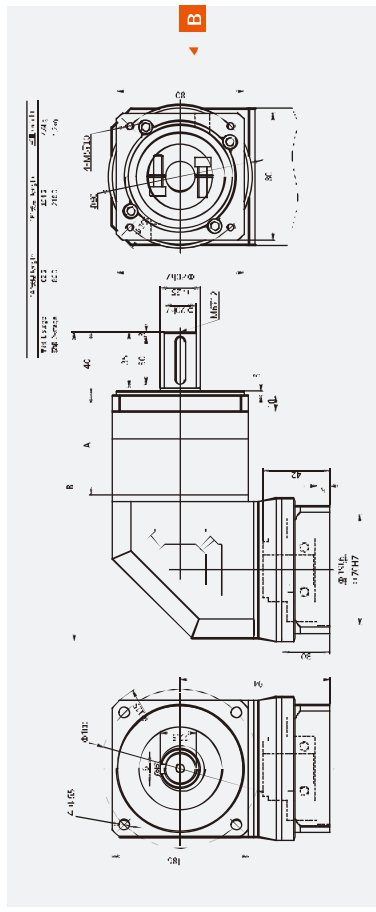
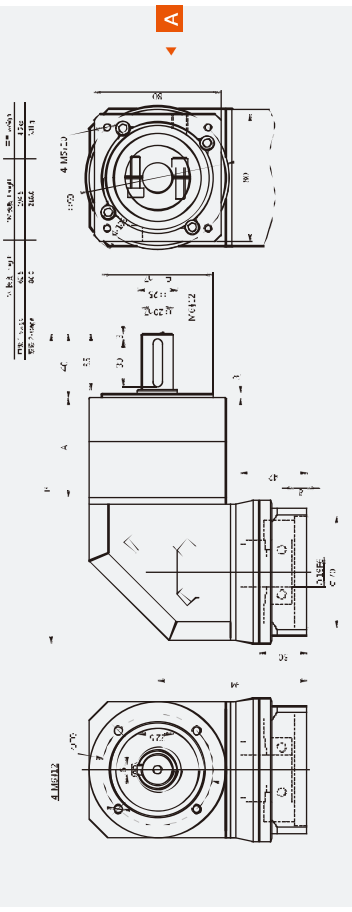
7. 最大加速力矩 $T2B = 60\% \text{ of } T2 \text{ Not}$

8. 以上藍色為共用參數, 紅色為所選型號參數

9. 以上參數僅供參考, 如有任何疑問請向本公司洽詢, 請洽 TAIKUN 服務。

10. 如有其他需求, 請洽 TAIKUN 服務。

DIMENSIONAL DRAWING / 尺寸圖紙



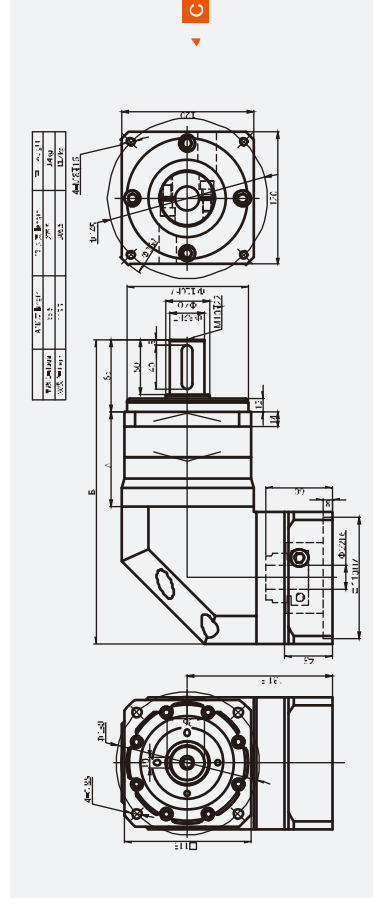
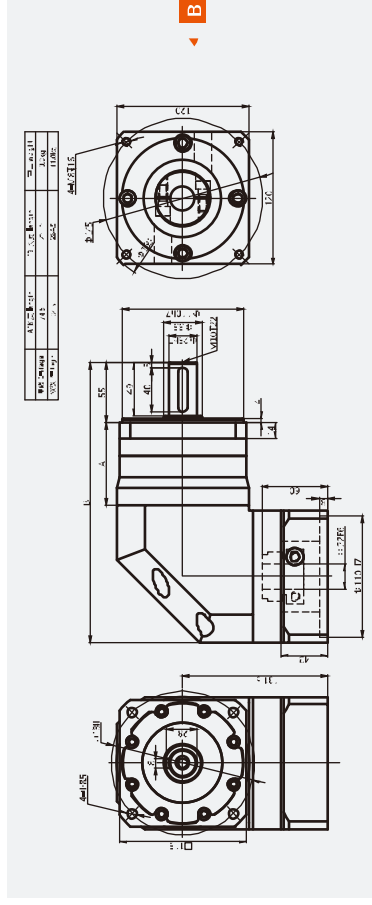
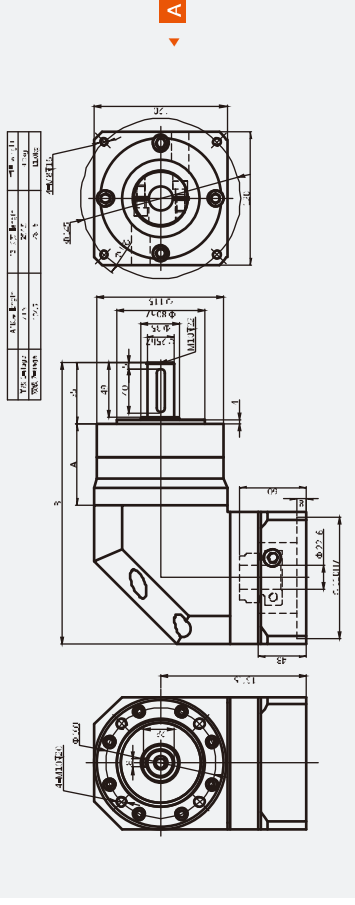
以上圖紙尺寸僅供參考, 實際產品尺寸請洽本公司, 以上圖紙尺寸以實際產品為準。

減速機性能資料

ZRE115 ZRF115	型號		減速比 (i)												型號				
	減速比 (i)												減速比 (i)						
額定輸出功率 P_n	Nm	150	225	240	160	100	90	250	250	250	270	270	250	270	250	270	250	270	180
額定力矩 T_{n2}	Nm	一階輸出扭矩																	
額定輸入轉速 n_{in}	rpm	3000																	
最大輸入轉速 n_{i1}	rpm	5000																	
起動響應時間 $T_{0.9}$	ms	-																	
靜音指數 P1P	ms	-																	
噪聲指數 P2S	ms	≤12																	
容許轉矩	Nm / gear	1.6																	
容許輸出力 $F_{t, max}$	N	2200																	
容許輸出力矩 $T_{F, max}$	Nm	1600																	
使用壽命	hr	20000																	
效率 η	%	≥90%																	
最低工作溫度	°C	-20°C																	
最高工作溫度	°C	190°C																	
潤滑		凡士輪油																	
防護等級		IP65																	
安裝方式		B2安裝																	
輸出方向		輸出、輸入同向																	
噪音值 L_{pA}	dB(A)	≤65																	
容許慣性	Nm	1.2	1.2	1.2	1.2	1.2	1.2	1.2	1.2	1.2	1.2	1.2	1.2	1.2	1.2	1.2	1.2	1.2	1.2

- 減速比 (i = n_{in}/n_{out})
- 容許慣性在輸入/百分之二額定轉矩時，且輸入/輸出同向
- 輸出轉速 700rpm，並作用於輸出軸中心位置
- 在額定輸入轉速 $n_{in} = 3000$ rpm 且負載慣性如下列值
- 運轉時間時，使用壽命 10000hr
- 以減速機額定輸出 10 倍 (10 倍) 或 3000 rpm 容許轉矩條件
- 最大加速力矩 $T_{2B} = 60\% C^2 T_{2N}$
- 以上表格均採用參數，紅色字體為選型時不參數
- 以當參數僅供參考，如有任何疑問請不另行通知，請以實際為準
- 如有任何需求，請洽 TAIKUN 服務

DIMENSIONAL DRAWING / 尺寸圖紙



以上圖紙尺寸僅供參考，實際尺寸以產品圖紙為準，以上圖紙僅供參考，請洽 TAIKUN 服務。

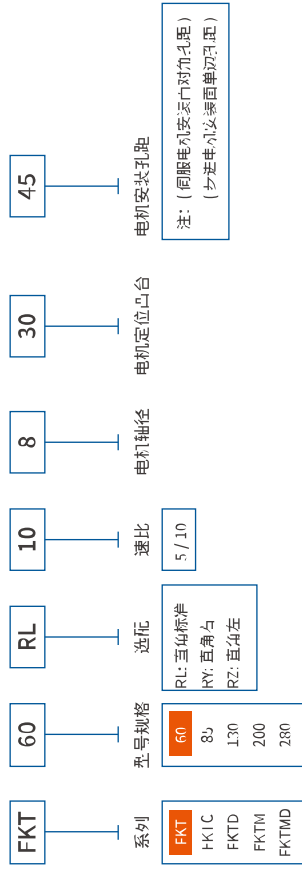
FKT SERIES

中空旋轉平臺
Hollow rotating platform



- 任意角度定位，定位精度高
- 高剛性，高扭矩
- 簡單安裝拆卸
- 直接連接
- 中空結構
- 接死方便
- 節省空間

订货型号表示 Ordering Representation



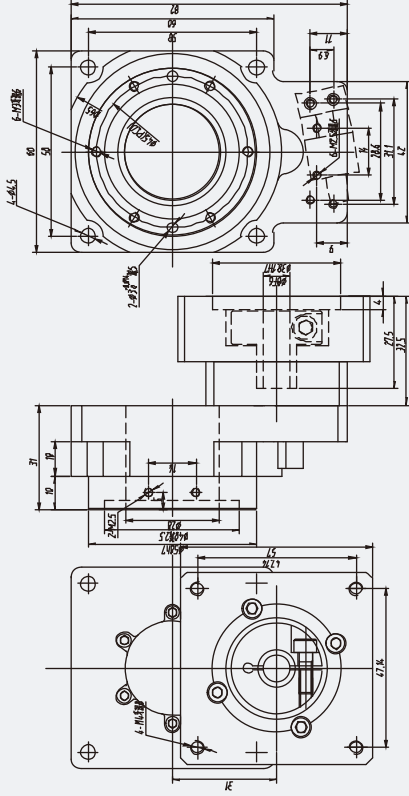
技术参数 Technical Parameter

型号 Model	FKT60	
轴承结构 Bearing structure	交叉滚子轴承 Cross roller bearing	
减速比 Reduction ratio	1	10
额定输出扭矩 Rated output torque	N.m	4
最大输出扭矩 Output torque	N.m	3 倍额定扭矩 3 Times rated torque
定位精度 Positioning accuracy	arc-sec	≤ 0.5
重复定位精度 Repeated positioning accuracy	arc-sec	≤ 5
容许盘面转速 Allowable disk speed	rpm	200(间歇运转) Intermittent operation
适配伺服马达 Adapt to servo motor	w	50-100
适配步进马达 Suitable for stepping motor	n	42 步进 Stepper
容许轴向负载 Allowable axial load	N.m	230
容许惯性力矩 Allowable moment of inertia	N.m/arcmin	5
扭转刚性 Torsional rigidity	N.m/arcmin	2.5
齿隙 Backlash	无齿隙 (可调节结构) No backlash (Adjustable structure)	
精度寿命 Accuracy life	h	30000h(间歇运转) Intermittent operation
防护等级 Protection level	IP	64
润滑方式 Lubrication method	长效润滑 Long-term lubrication	
安装方式 Installation method	任意 Arbitrary	
旋转平台同心度 Concentricity of rotation platform	mm	≤ 0.01
旋转平台平行度 Parallelism of rotation platform	mm	≤ 0.01
传动效率 Transmission efficiency	%	95
噪音 Noise	db	≤ 55
重量 Weight	kg	0.6
设计承重 Design load	kg	7
		5

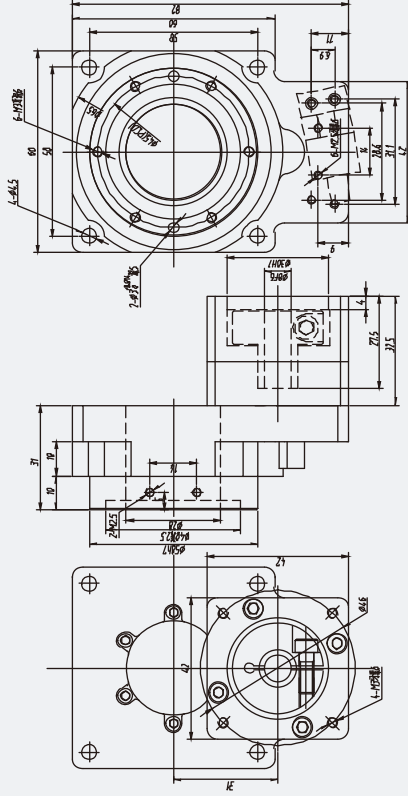
以上产品尺寸仅供参考，具体请以实际产品为准，以上产品均为定制产品，具体尺寸请咨询销售。

外形尺寸图表 Outline dimensional

FKT60-10 配 57 步接口 Ø8

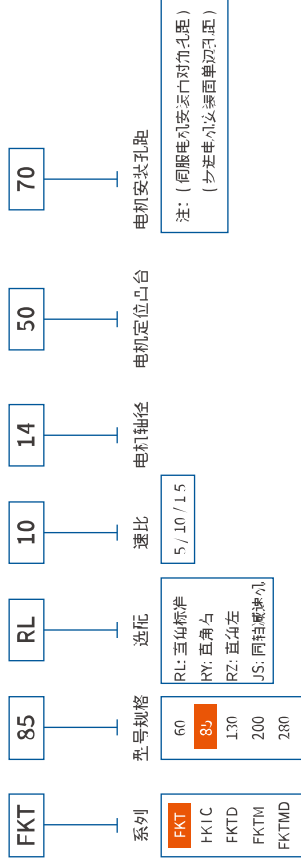


FKT60-10 配 100W 伺服接口 Ø8



• 以上尺寸仅供参考，最终以实际产品为准。如有更改，恕不另行通知。

订货型号表示 Ordering Representation



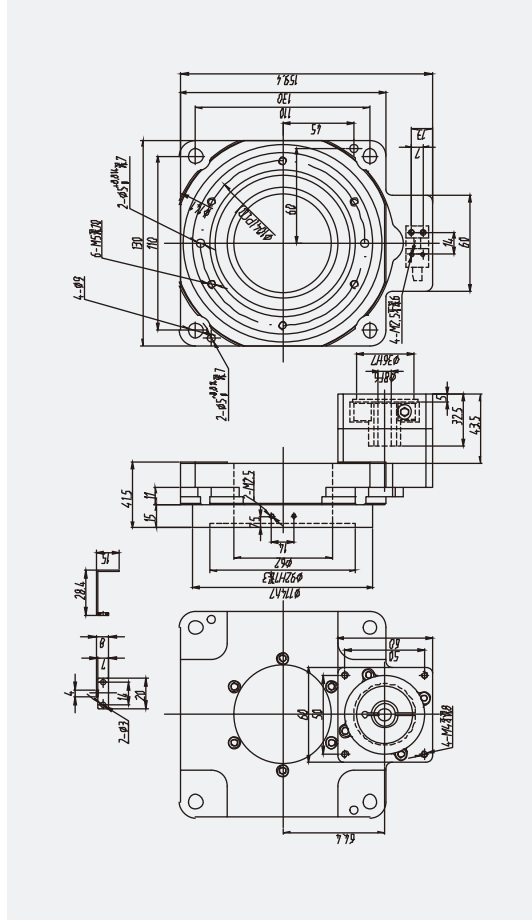
技术参数 Technical Parameter

型号 Model	FKT85	FKT85RL(R)/RZ(JS)
轴承结构 Bearing structure	交叉滚子轴承 Cross roller bearing	
减速比 Reduction ratio	1	10, 15
额定输出扭矩 Rated output torque	N.m	18, 15
最大输出扭矩 Output torque	N.m	3倍额定扭矩 3 Times rated torque
定位精度 Positioning accuracy	arc-min	≤ 0.5
重复定位精度 Repeated positioning accuracy	arc-sec	≤ 5
容许盘面转速 Allowable disk speed	rpm	200(间歇运转) Intermittent operation
适配伺服马达 Adapt to servo motor	w	200-400
适配步进马达 Suitable for stepping motor	n	57 步进 Stepper
容许轴向负载 Allowable axial load	N.m	500
容许惯性力矩 Allowable moment of inertia	N.m/arcmin	20
扭转刚性 Torsional rigidity	N.m/arcmin	10
齿隙 Backlash	h	无齿隙(可调节结构) No backlash (Adjustable structure)
精度寿命 Accuracy life	IP	30000h(间歇运转) Intermittent operation
防护等级 Protection level	IP	64
润滑方式 Lubrication method		长效润滑 Long-term lubrication
安装方式 Installation method		任意 Arbitrary
旋转平台同心度 Concentricity of rotation platform	mm	≤ 0.01
旋转平台平行度 Parallelism of rotation platform	mm	≤ 0.01
传动效率 Transmission efficiency	%	95
噪音 Noise	db	≤ 55
重量 Weight	kg	1.4
设计承重 Design load	kg	28

• 以上尺寸仅供参考，最终以实际产品为准。如有更改，恕不另行通知。

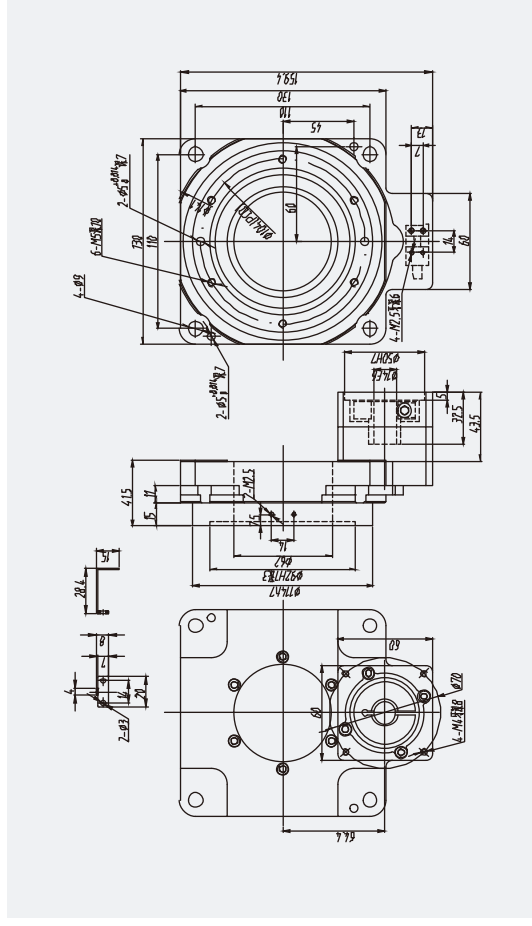
外形尺寸圖表 Outline dimensional

FKT130-10 配 57 步進接口 Ø 8

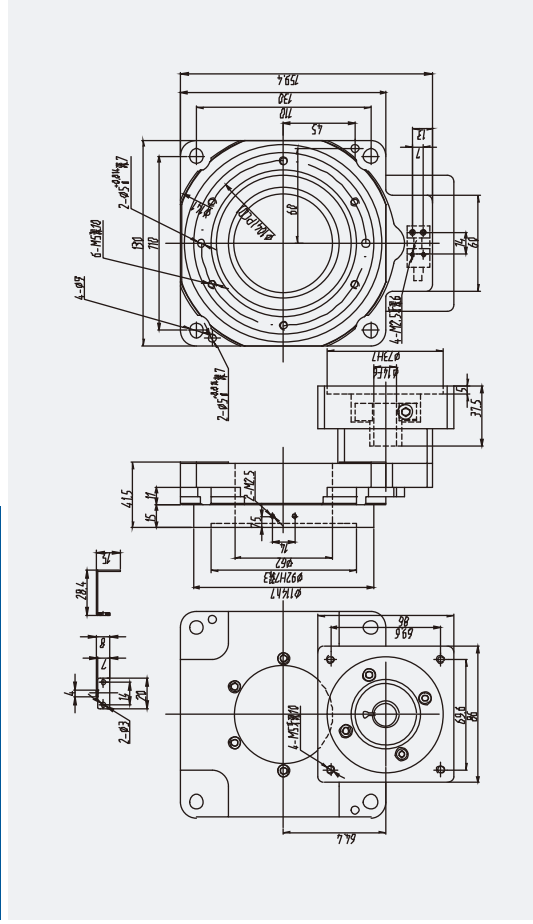


外形尺寸圖表 Outline dimensional

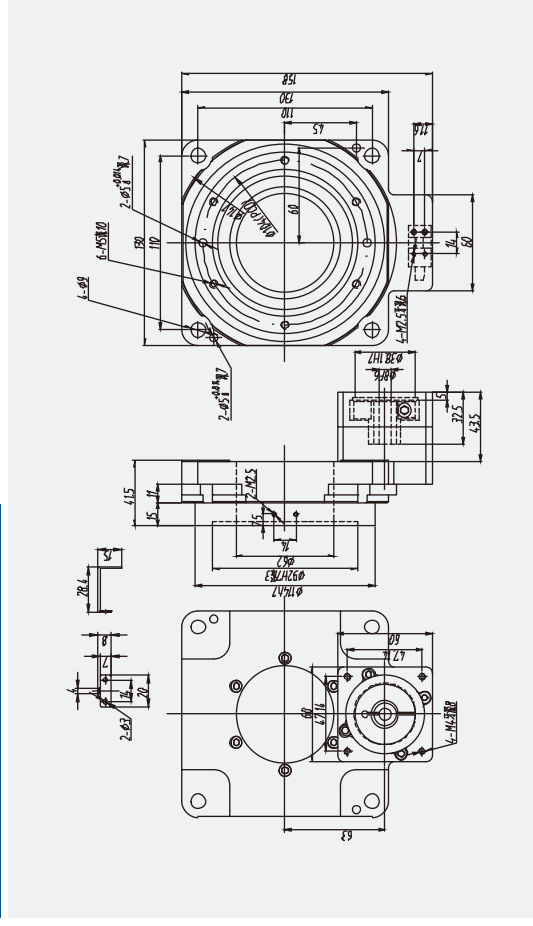
FKT130-10 配 400W 伺服接口



FKT130-10 配 86 步進接口 Ø 14



FKT130-18 配 57 步進接口 Ø 8

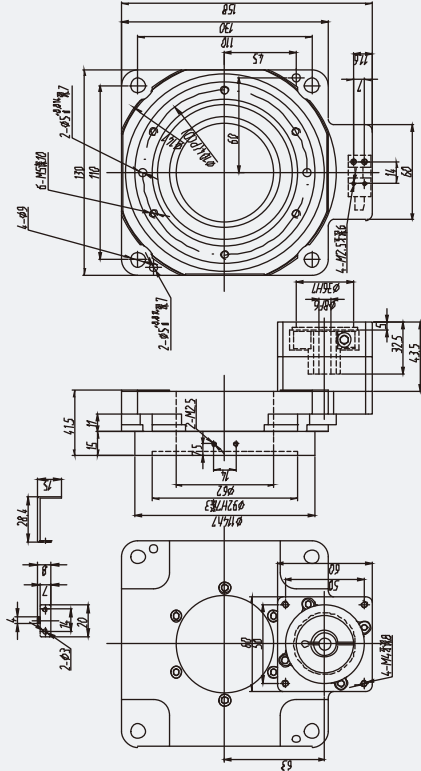


• 以上尺寸均可供參考，圖紙標註尺寸為標準值，輸出二種制式可供參考及尺寸。

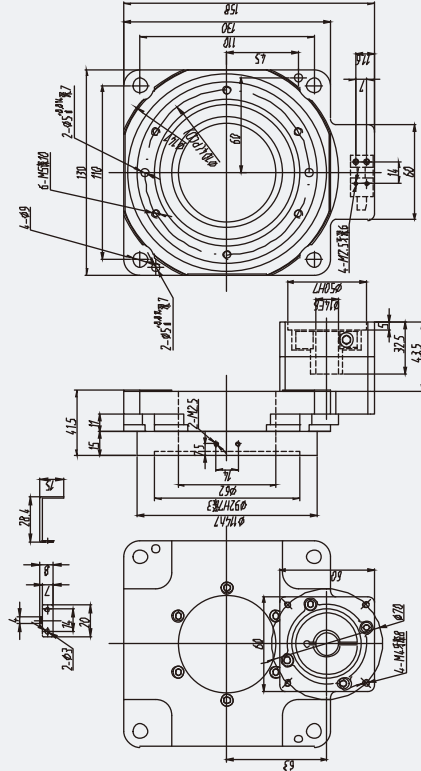
• 以上尺寸均可供參考，圖紙標註尺寸為標準值，輸出二種制式可供參考及尺寸。

外形尺寸图表 Outline dimensional

FKT130-18 配 60 步接口 $\phi 8$

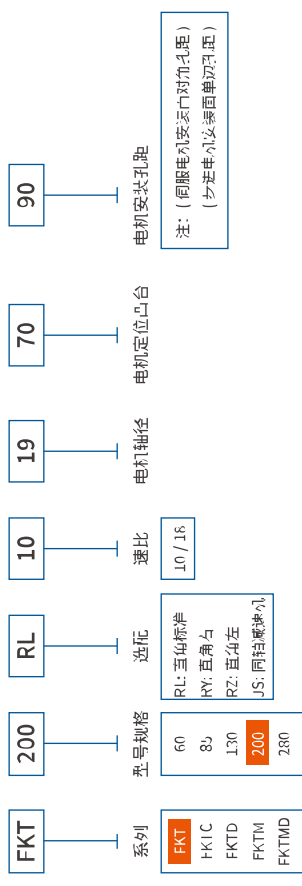


FKT130-18 配 400W 伺服接口 $\phi 14$



以上尺寸仅供参考，最终以实物为准。如有更改，恕不另行通知。

订货型号表示 Ordering Representation



技术参数 Technical Parameter

型号 Model		FKT200	
轴承结构 Bearing structure		交叉滚子轴承 Cross roller bearing	
减速比 Reduction ratio	1	10	18
额定输出扭矩 Rated output torque	N.m	70	55
最大输出扭矩 Output torque	N.m	3 倍额定扭矩 3 Times rated torque	
定位精度 Positioning accuracy	arc-min	≤ 0.5	
重复定位精度 Repeated positioning accuracy	arc-sec	≤ 5	
容许盘面转速 Allowable disk speed	rpm	200(间歇运转) Intermittent operation	
适配伺服马达 Suitable for servo motor	w	750	
适配步进马达 Suitable for stepping motor	n	86-110 步进 Stepper	
容许轴向负载 Allowable axial load	N.m	4000	
容许惯性力矩 Allowable moment of inertia	N.m/arcmin	100	
扭转刚度 Torsional rigidity	N.m/arcmin	50	
齿隙 Backlash	h	无齿隙 (可调节结构) No backlash (Adjustable structure)	
精度寿命 Accuracy life	h	30000h(间歇运转) Intermittent operation	
防护等级 Protection level	IP	64	
润滑方式 Lubrication method		长效润滑 Long-term lubrication	
安装方式 Installation method		任意 Arbitrary	
旋转平台同心度 Concentricity of rotation platform	mm	≤ 0.01	
旋转平台平行度 Parallelism of rotation platform	mm	≤ 0.02	
传动效率 Transmission efficiency	%	95	
噪音 Noise	db	≤ 63	
重量 Weight	kg	1.2	
设计承重 Design load	kg	75	

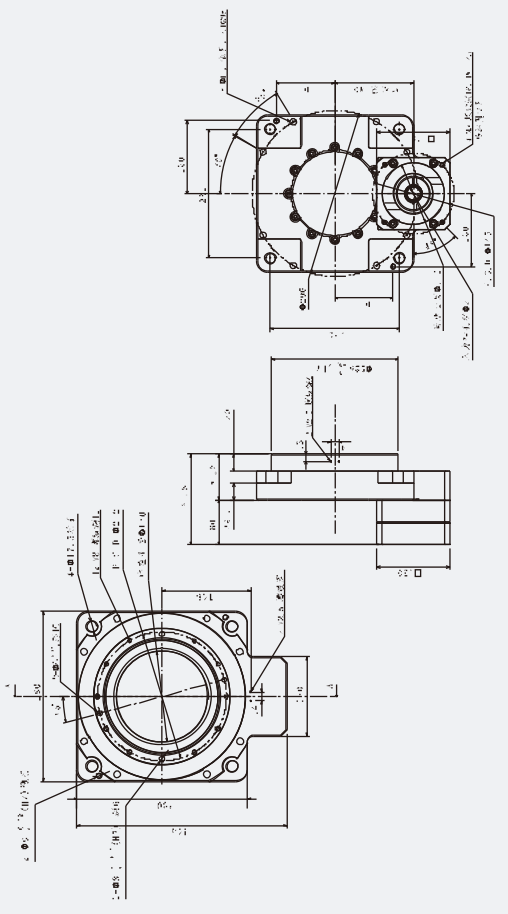
以上尺寸仅供参考，最终以实物为准。如有更改，恕不另行通知。

FKT Series

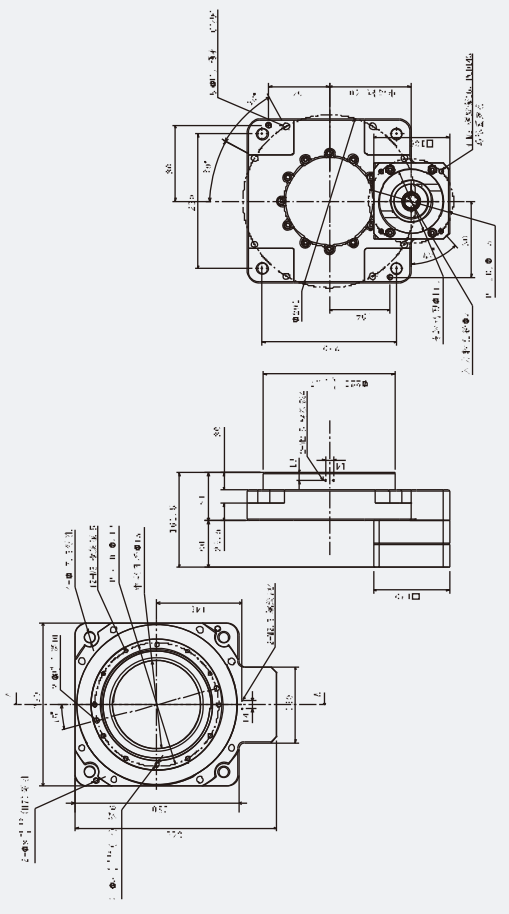
伺服行星减速机 Servo Planetary Reducer

外形尺寸图表 Outline dimensional

FKT280-10 配 1.5KW 伺服接口



FKT280-18 配 1.5KW 伺服接口



以上尺寸仅供参考，详细规格请参考产品手册。以上尺寸仅供参考，详细规格请参考产品手册。

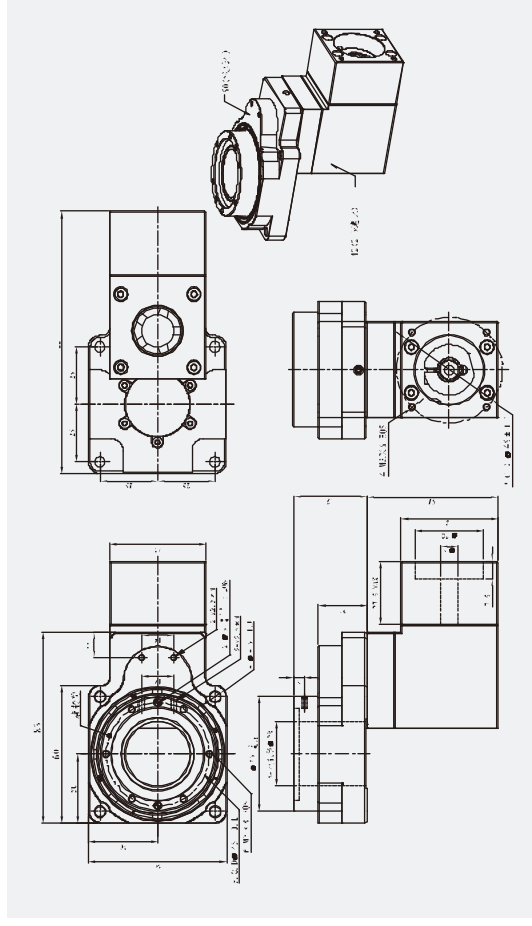
FKTC SERIES

中空旋轉平臺
Hollow rotating platform

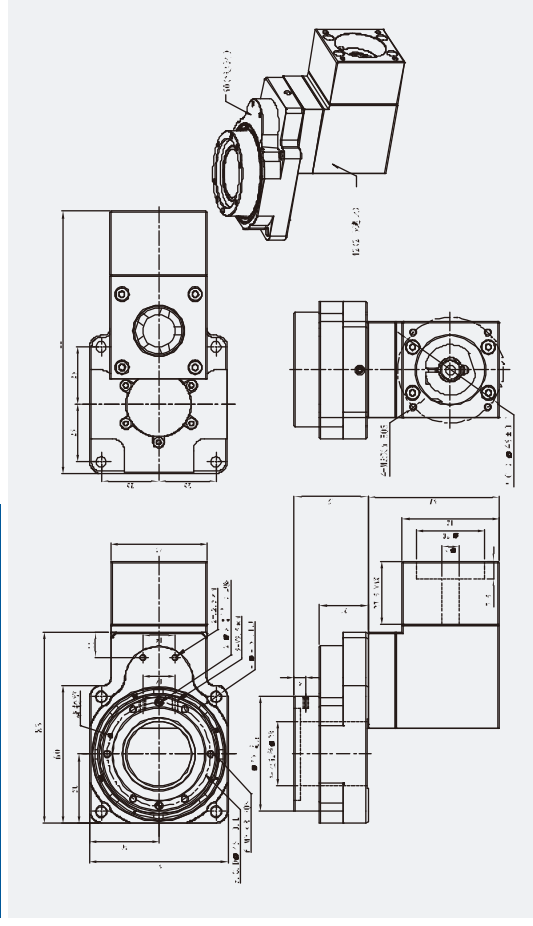


外形尺寸图表 Outline dimensional

FKTC60-10

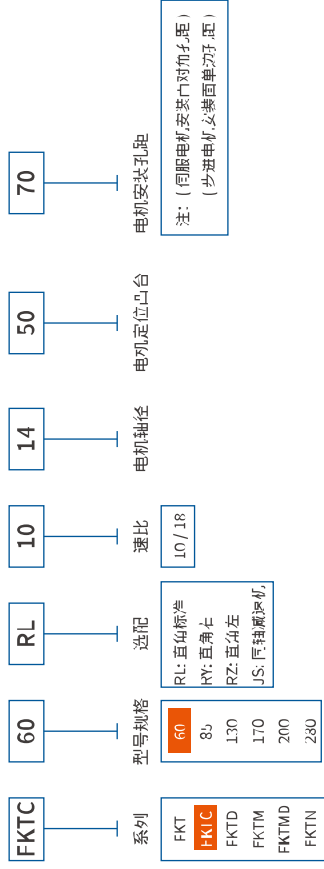


FKTC60-15



订货型号表示

Ordering Representation



技术参数

Technical Parameter

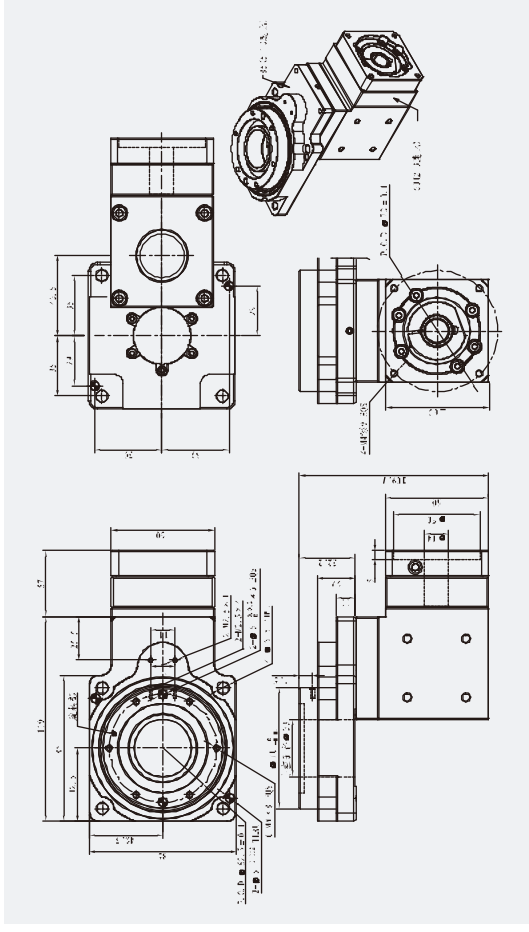
型号 Model		FKTC60	
轴承结构	Bearing structure	交叉滚子轴承 Cross roller bearing	
减速比	Reduction ratio	10	15
额定输出扭矩	Rated output torque	5.2	5.2
最大输出扭矩	Output torque	3倍额定扭矩 3 Times rated torque	
定位精度	Positioning accuracy	≤ 0.5	
反复定位精度	Repeated positioning accuracy	≤ 5	
容许盘面转速	Allowable disk speed	200(间歇运转) Intermittent operation	
适配伺服马达	Adapt to servo motor	50-100	
适配步进马达	Suitable for stepping motor	42 步进 Stepper, 100W 伺服	
容许轴向负载	Allowable axial load	230	
容许惯性力矩	Allowable moment of inertia	5	
扭转刚性	Torsional rigidity	2.5 N.m/arcmin	
倒置力矩	Overturning moment	300	
精度寿命	Accuracy life	30000h(间歇运转) Intermittent operation	
防护等级	Protection level	IP 64	
润滑方式	Lubrication method	长效润滑 Long-term lubrication	
安装方式	Installation method	任意 Arbitrary	
旋转平台同心度	Concentricity of rotation platform	≤ 0.01	
旋转平台平行度	Parallelism of rotation platform	≤ 0.013	
传动效率	Transmission efficiency	95	90
噪音	Noise	≤ 60	≤ 60
重量	Weight	3	3
设计承重	Design load	7	5

• 以上尺寸仅供参考，最终以实物为准。请参照此图进行订购。以上为理论尺寸，仅供参考。

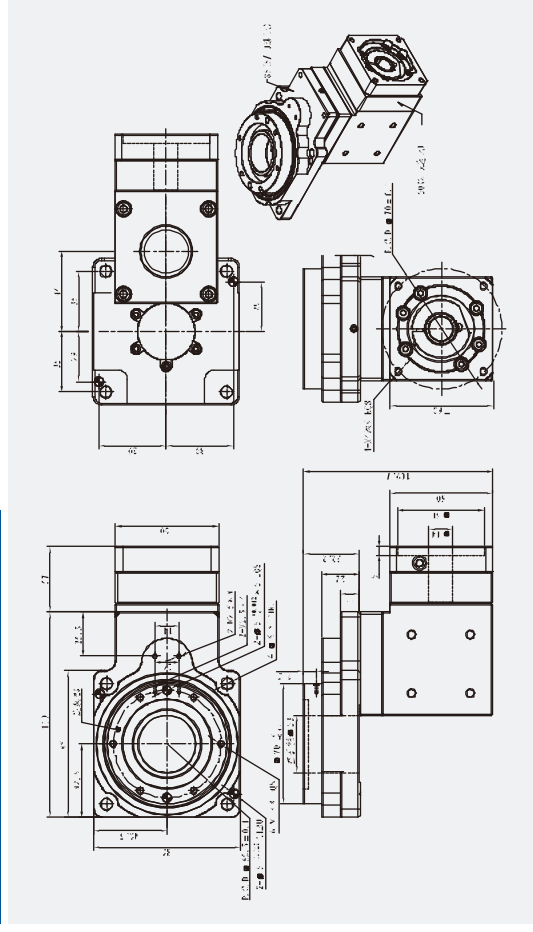
• 以上尺寸仅供参考，最终以实物为准。请参照此图进行订购。以上为理论尺寸，仅供参考。

外形尺寸图表 Outline dimensional

FKTC85, 10 比, 15 比

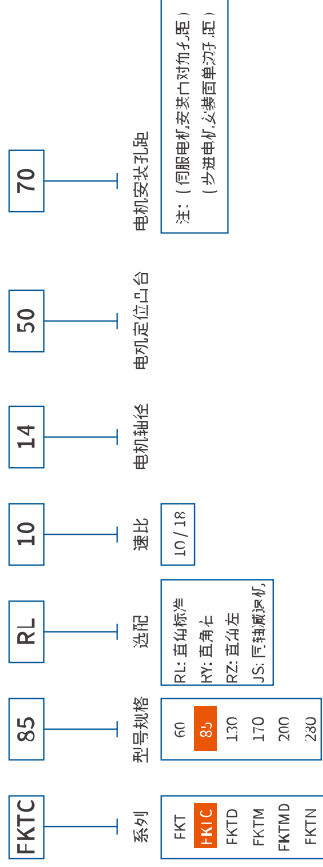


FKTC85, 20 比, 30 比



订货型号表示

Ordering Representation



技术参数

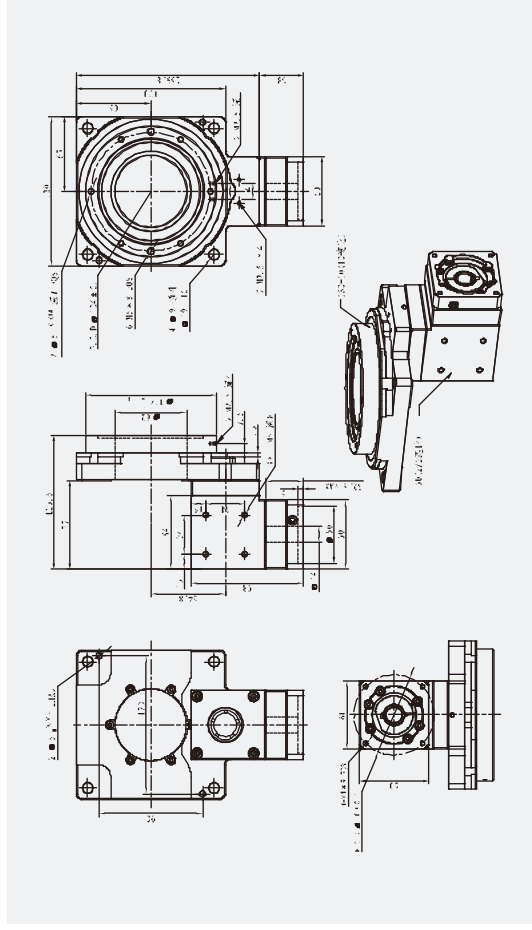
Technical Parameter

型号 Model		FKTC85	
轴承结构	Bearing structure	交叉滚子轴承 Cross roller bearing	
减速比	Reduction ratio	10	15 20 30
额定输出扭矩	Rated output torque	N.m	1.5
最大输出扭矩	Output torque	N.m	3 倍额定扭矩 3 Times rated torque
定位精度	Positioning accuracy	arc-min	≤ 0.5
反复定位精度	Repeated positioning accuracy	arc-sec	≤ 5
容许盘面转速	Allowable disk speed	rpm	200 (间歇运转) Intermittent operation
适配伺服马达	Adapt to servo motor	w	200-400
适配步进马达	Suitable for stepping motor	n	57 步进 Stepper
容许轴向负载	Allowable axial load	N.m	500
容许惯性力矩	Allowable moment of inertia	N.m	20
扭转刚性	Torsional rigidity	N.m/arcmin	6
倒置力矩	Overturning moment	N.m	530
精度寿命	Accuracy life	h	30000 (间歇运转) Intermittent operation
防护等级	Protection level	IP	64
润滑方式	Lubrication method	长效润滑 Long-term lubrication	
安装方式	Installation method	任意 Arbitrary	
旋转平台同心度	Concentricity of rotation platform	mm	≤ 0.01
旋转平台平行度	Parallelism of rotation platform	mm	≤ 0.013
传动效率	Transmission efficiency	%	95
噪音	Noise	db	≤ 60
重量	Weight	kg	4.3
设计承重	Design load	kg	28

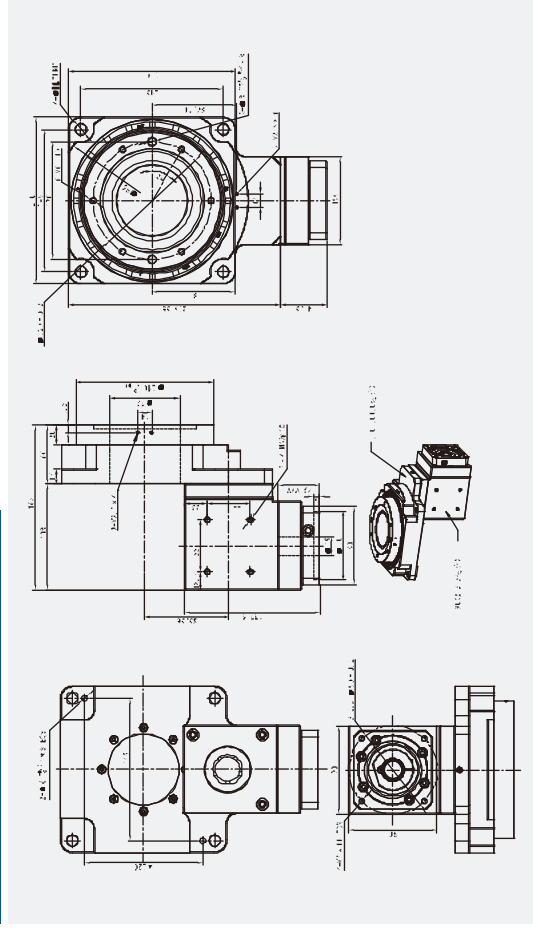
* 以上尺寸仅供参考，最终以实物为准。*以上尺寸仅供参考，最终以实物为准。

外形尺寸图表 Outline dimensional

FKTC130, 20 比, 30 比



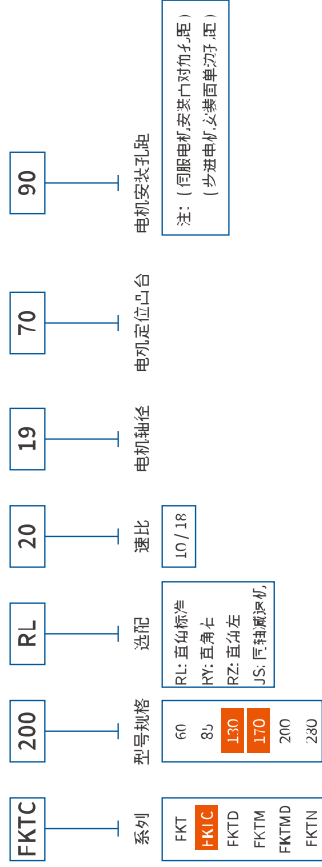
FKTC170, 20 比, 30 比, 50 比



• 以上尺寸仅供参考，最终以出厂图纸为准，请出图时注明详细参数及尺寸。

订货型号表示

Ordering Representation



技术参数

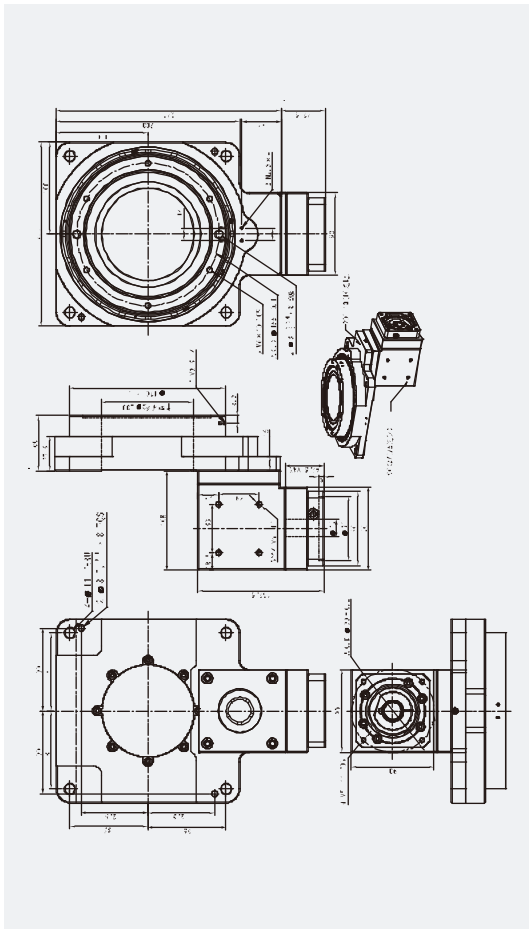
Technical Parameter

型号 Model	FKTC130	FKTC170			
轴承结构 Bearing structure	交叉滚子轴承 Cross roller bearing				
减速比 Reduction ratio	20	30	20	30	50
额定输出扭矩 Rated output torque	N.m	30			55
最大输出扭矩 Output torque	N.m	3 倍额定扭矩 3 Times rated torque			
定位精度 Positioning accuracy	arc-min	≤ 1			
反驱动精度 Repeated positioning accuracy	arc-sec	≤ 15			
容许盘转速 Allowable disk speed	rpm	200 (间歇运转) Intermittent operation			
适配伺服马达 Adapt to servo motor	w	750-1000			
适配步进马达 Suitable for stepping motor		86-110 步进 Stepper			
容许轴向负载 Allowable axial load	n	2000		3000	
容许惯性力矩 Allowable moment of inertia	N.m	100		150	
扭转刚度 Torsional rigidity	N.m/arcmin	32		40	
倒置力矩 Overturning moment	N.m	950		1320	
精度寿命 Accuracy life	h	30000 (间歇运转) Intermittent operation			
防护等级 Protection level	IP	64			
润滑方式 Lubrication method		长效润滑 Long-term lubrication			
安装方式 Installation method		任意 Arbitrary			
旋转平台同心度 Concentricity of rotation platform	mm	≤ 0.01			
旋转平台平行度 Parallelism of rotation platform	mm	≤ 0.02			
传动效率 Transmission efficiency	%	95		90	
噪音 Noise	db	≤ 63		≤ 63	
重量 Weight	kg	10		13.3	
设计承重 Design load	kg	45		65	

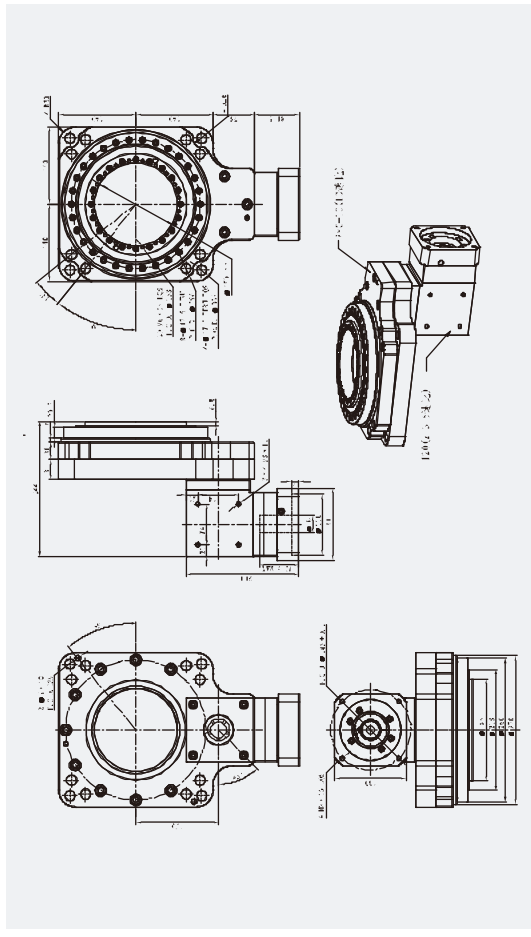
• 以上尺寸仅供参考，最终以出厂图纸为准，请出图时注明详细参数及尺寸。

外形尺寸图表 Outline dimensional

FKTC200, 20比, 30比, 50比

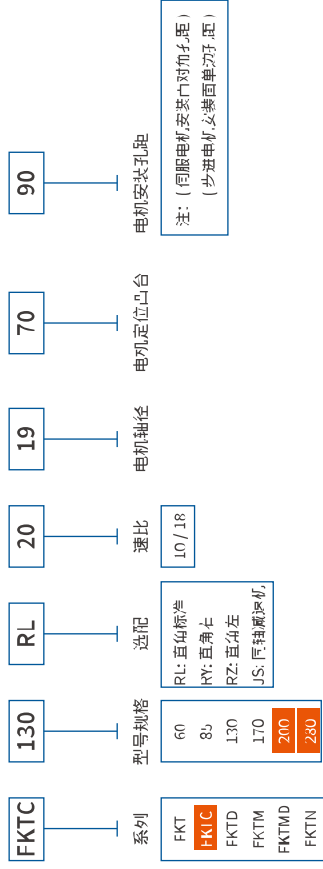


FKTC280, 20比, 30比, 50比



订货型号表示

Ordering Representation



技术参数

Technical Parameter

型号 Model	FKTC200	FKTC280
轴承结构 Bearing structure	交叉滚子轴承 Cross roller bearing	
减速比 Reduction ratio	20 30 50	20 30 50
额定输出扭矩 Rated output torque	N.m 65	N.m 120
最大输出扭矩 Output torque	N.m ≤ 1	N.m ≤ 1
定位精度 Positioning accuracy	arc-min ≤ 15	arc-min ≤ 15
反复定位精度 Repeated positioning accuracy	arc-sec 150(间歇运转) Intermittent operation	arc-sec 150(间歇运转) Intermittent operation
容许盘转速 Allowable disk speed	rpm 1000-2000	rpm 1000-2000
适配伺服马达 Adapt to servo motor	1.5-3kW 伺服	
适配步进马达 Suitable for stepping motor	1.5-3kW 伺服	
容许轴向负载 Allowable axial load	N 4000	N 8000
容许惯性力矩 Allowable moment of inertia	N.m 120	N.m 200
扭转刚度 Torsional rigidity	N.m/arcmin 70	N.m/arcmin 100
倾覆力矩 Overturning moment	N.m 2200	N.m 3800
精度寿命 Accuracy life	h 30000h(间歇运转) Intermittent operation	h 30000h(间歇运转) Intermittent operation
防护等级 Protection level	IP 64	IP 64
润滑方式 Lubrication method	长效润滑 Long-term lubrication	
安装方式 Installation method	任意 Arbitrary	
旋转平台同心度 Concentricity of rotation platform	mm ≤ 0.015	mm ≤ 0.015
旋转平台平行度 Parallelism of rotation platform	mm ≤ 0.03	mm ≤ 0.03
传动效率 Transmission efficiency	% 95	% 90
噪音 Noise	db ≤ 67	db ≤ 67
重量 Weight	kg 23	kg 31
设计承重 Design load	kg 120	kg 170

* 以上尺寸仅供参考, 最终以实物为准, 请参照实物图标注尺寸。

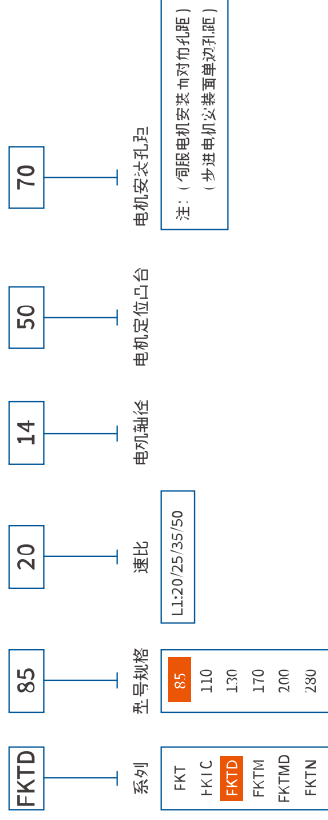
* 以上尺寸仅供参考, 最终以实物为准, 请参照实物图标注尺寸。

FKTD SERIES

中空旋轉平臺
Hollow rotating platform



订货型号表示 Ordering Representation



技术参数 Technical Parameter

型号 Model	FKTD85A	FKTD88B
轴承结构 Bearing structure	交叉滚子轴承 Cross roller bearing	交叉滚子轴承 Cross roller bearing
减速比 Reduction ratio	1	100
额定输出扭矩 Rated output torque	N.m	20
最大输出扭矩 Output torque	N.m	3倍额定扭矩 3 Times rated torque
定位精度 Positioning accuracy	arc-min	≤ 1
重复定位精度 Repeated positioning accuracy	arc-sec	≤ 10
容许盘面转速 Allowable disk speed	rpm	200(间歇运转) Intermittent operation
适配伺服马达 Adapt to servo motor	w	200-400W
适配步进马达 Suitable for stepping motor		42-57 步进 Stepper
容许轴向负载 Allowable axial load	n	500
容许惯性力矩 Allowable moment of inertia	N.m/arcmin	70
扭转刚度 Torsional rigidity	N.m/arcmin	6
倾覆力矩 Overturning moment	N.m	530
精度寿命 Accuracy life	h	30000h(间歇运转) Intermittent operation
防护等级 Protection level	IP	64
润滑方式 Lubrication method		长效润滑 Long-term lubrication
安装方式 Installation method		任意 Arbitrary
旋转平台同心度 Concentricity of rotation platform	mm	≤ 0.01
旋转平台平行度 Parallelism of rotation platform	mm	≤ 0.02
传动效率 Transmission efficiency	%	95
噪音 Noise	db	≤ 63
重量 Weight	kg	3.2
设计承重 Design load	kg	28

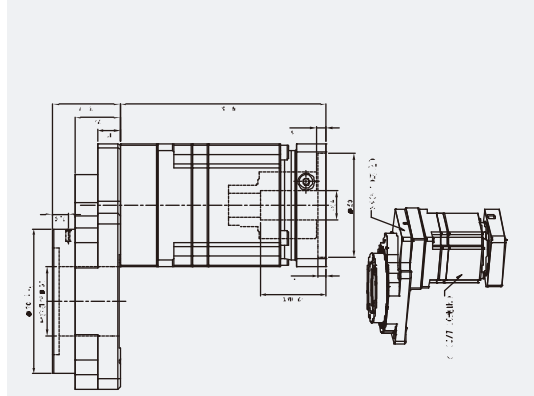
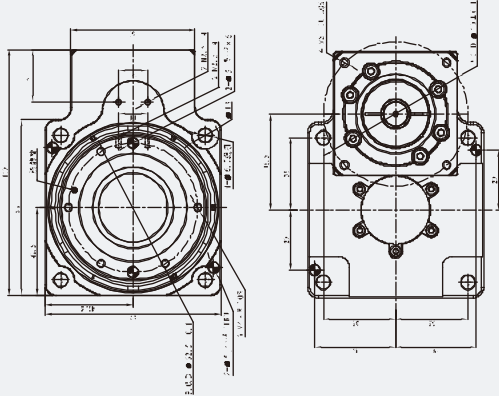
以上产品尺寸仅供参考，具体请以实物为准，产品尺寸如有变动恕不另行通知。

FKTD Series

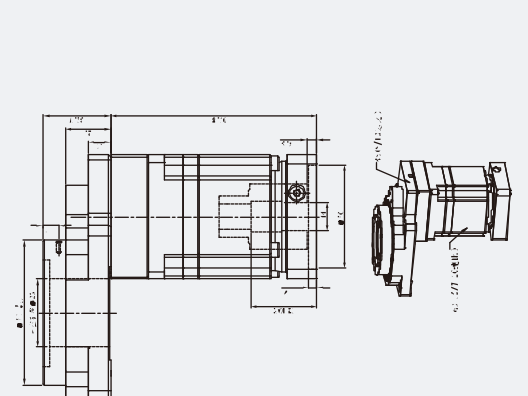
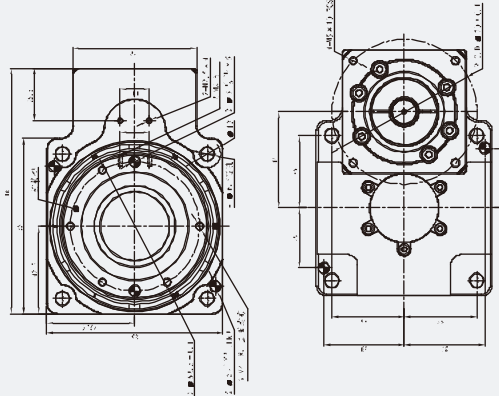
伺服行星减速机 Servo Planetary Reducer

外形尺寸图表 Outline dimensional

FKTD85A, 25 比, 35 比, 50 比



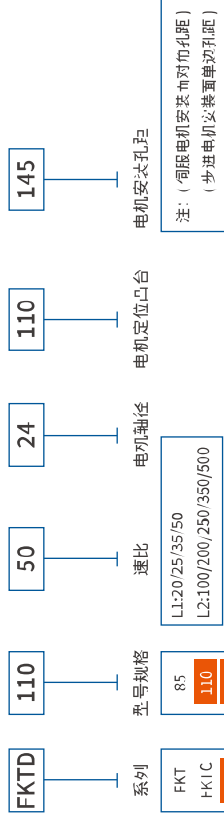
FKTD85B, 70 比, 100 比



* 以上尺寸仅供参考, 最终以零件图为准, 请参见零件图详细参数及尺寸。

订货型号表示

Ordering Representation



技术参数

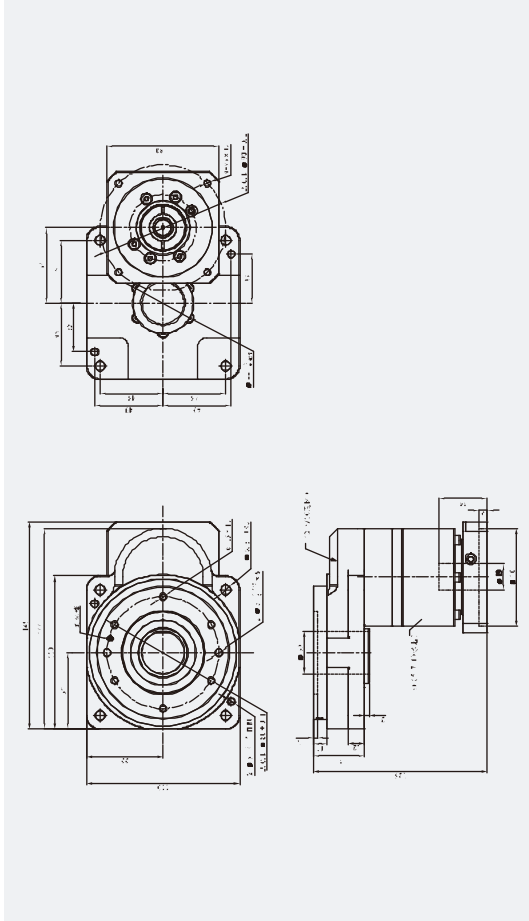
Technical Parameter

轴承结构	FKTD110						FKTD130		
	25	35	50	70	100	30	50	70	100
减速比	1	2.5	5	10	20	30	40	50	100
额定输出扭矩	N.m								
最大输出扭矩	N.m								30
定位精度	arc-min								
重复定位精度	arc-sec								
容许盘面转速	rpm								
适配伺服马达	w								
适配步进马达									
容许轴向负载	n								2000
容许惯性力矩	N.m								150
扭转刚度	N.m/arcmin								40
倾覆力矩	N.m								132
精度寿命	h								
防护等级	IP								
润滑方式									
安装方式									
旋转平台同心度	mm								90
旋转平台平行度	mm								≤ 67
传动效率	%								8
噪音	db								45
重量	kg								
设计承重	kg								

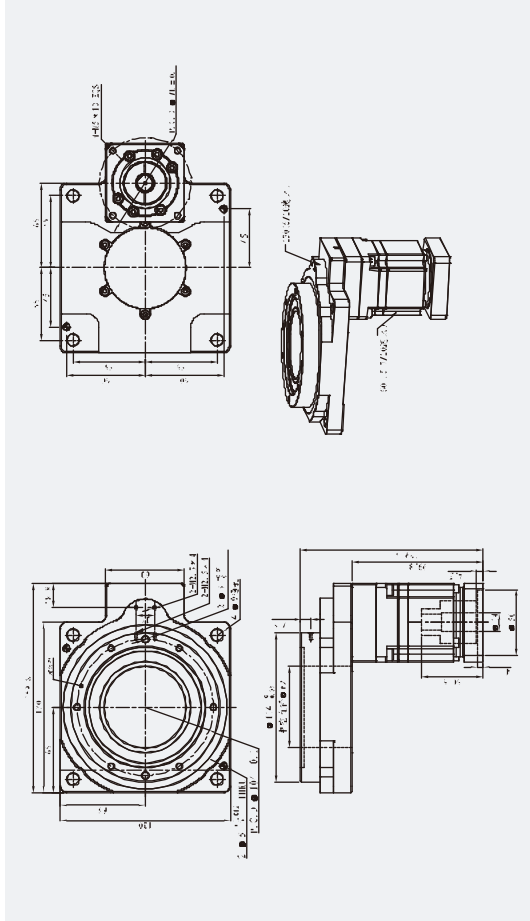
* 以上尺寸仅供参考, 最终以零件图为准, 请参见零件图详细参数及尺寸。

外形尺寸图表 Outline dimensional

FKTD110-25,35,50, 70, 100 比

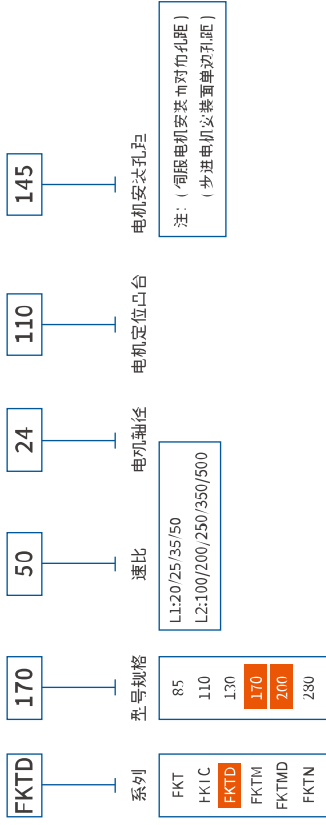


FKTD130-30, 50, 70, 100 比



订货型号表示

Ordering Representation



技术参数

Technical Parameter

轴承结构	FKTD170					FKTD200				
	30	50	70	100	145	30	50	70	100	145
轴承结构	交叉滚子轴承 Cross roller bearing									
减速比	1									
额定输出扭矩	N.m									
最大输出扭矩	N.m									
定位精度	arc-min									
反复定位精度	arc-sec									
容许盘面转速	rpm									
适配伺服马达	w									
适配步进马达	n									
容许轴向负载	N.m									
容许惯性力矩	N.m/arcmin									
扭转刚性	N.m									
倾覆力矩	h									
精度寿命	IP									
防护等级	mm									
润滑方式	mm									
安装方式	%									
旋转平台同心度	db									
旋转平台平行度	kg									
传动效率	kg									
噪音	kg									
重量	kg									
设计承重	kg									

以上尺寸仅供参考, 最终以实际产品为准, 请参照实际产品参数及尺寸。

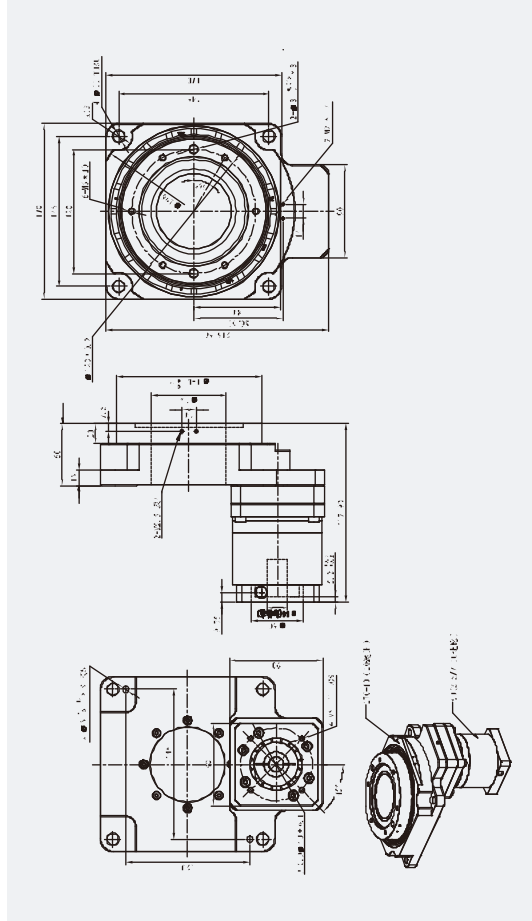
以上尺寸仅供参考, 最终以实际产品为准, 请参照实际产品参数及尺寸。

FKTD Series

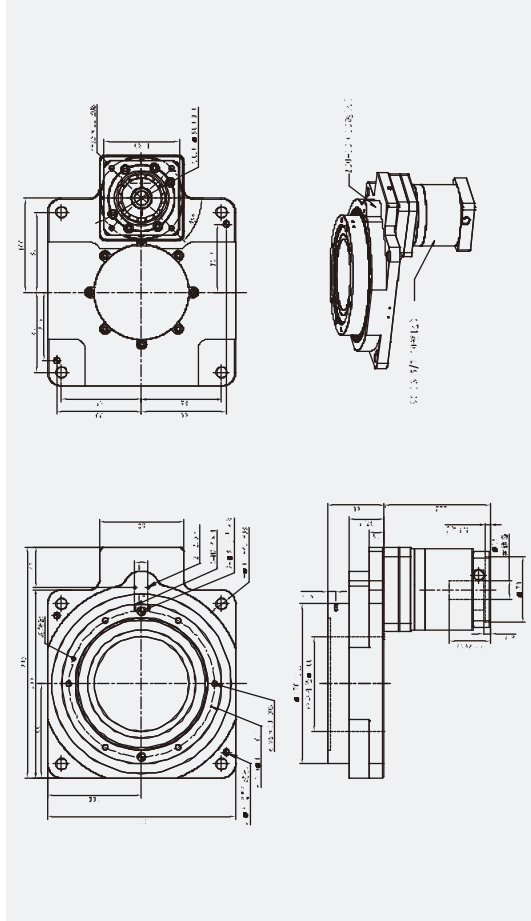
伺服行星减速机 Servo Planetary Reducer

外形尺寸图表 Outline dimensional

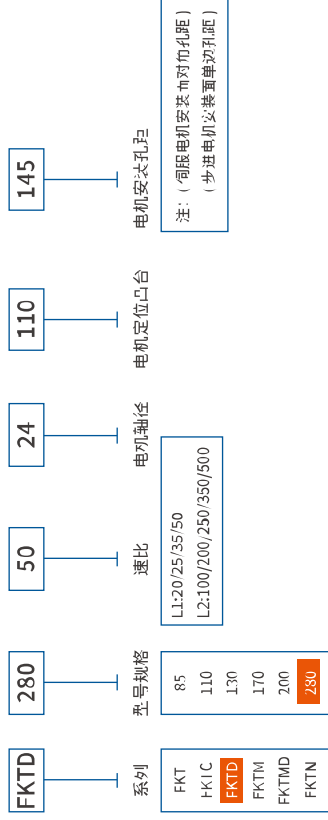
FKTD170-30, 50, 70, 100 比



FKTD200-30, 50, 70, 100 比



订货型号表示 Ordering Representation



技术参数

Technical Parameter

型号 Model		FKTD280	
轴承结构	Bearing structure	交叉滚子轴承 Cross roller bearing	
减速比	Reduction ratio	1	70
额定输出扭矩	Rated output torque	N.m	120
最大输出扭矩	Output torque	N.m	3 倍额定扭矩 3 Times rated torque
定位精度	Positioning accuracy	arc-min	≤ 1
重复定位精度	Repeated positioning accuracy	arc-sec	≤ 10
容许盘面转速	Allowable disk speed	rpm	150(间歇运转) Intermittent operation
适配伺服马达	Adapt to servo motor	w	1000-3000
适配步进马达	Suitable for stepping motor		110-130 步进 Stepper
容许轴向负载	Allowable axial load	n	13000
容许惯性力矩	Allowable moment of inertia	N.m	400
扭转刚度	Torsional rigidity	N.m/arcmin	90
倾覆力矩	Overturning moment	N.m	4300
精度寿命	Accuracy life	h	20000H(间歇运转) Intermittent operation
防护等级	Protection level	IP	64
润滑方式	Lubrication method		长效润滑 Long-term lubrication
安装方式	Installation method		任意 Arbitrary
旋转平台同心度	Concentricity of rotation platform	mm	≤ 0.015
旋转平台平行度	Parallelism of rotation platform	mm	≤ 0.03
传动效率	Transmission efficiency	%	95
噪音	Noise	db	≤ 67
重量	Weight	kg	≤ 67
设计承重	Design load	kg	170

• 以上尺寸仅供参考, 最终以出厂图纸为准, 请出图时注明详细参数及尺寸。

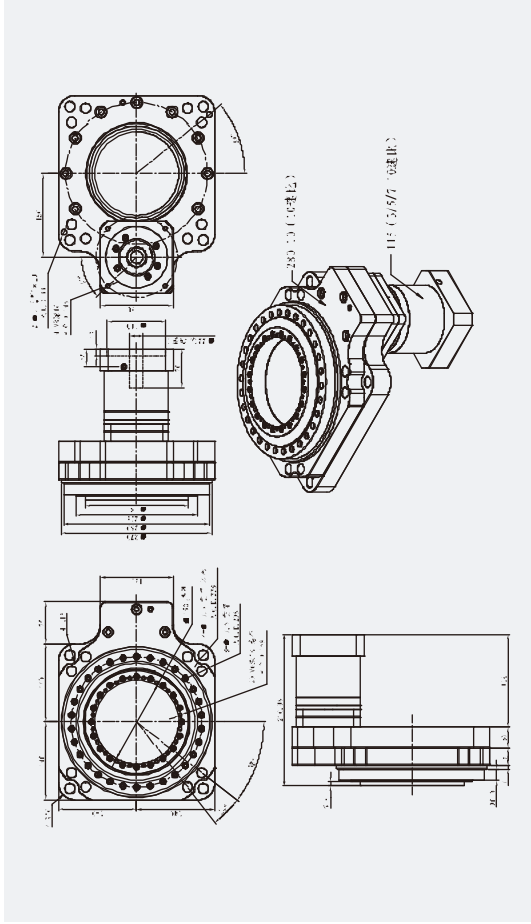
• 以上尺寸仅供参考, 最终以出厂图纸为准, 请出图时注明详细参数及尺寸。

FKTD Series

伺服行星减速机 Servo Planetary Reducer

外形尺寸图表 Outline dimensional

FKTD280-30,50,70 比



FKTM SERIES

中空旋轉平臺

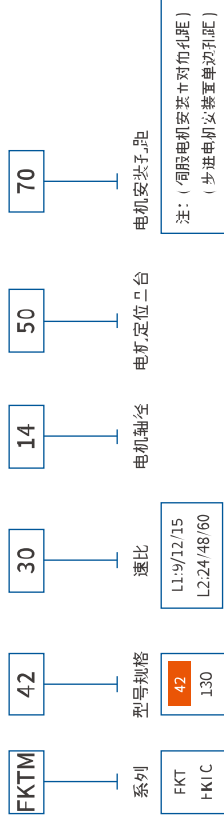
Hollow rotating platform



外形尺寸图表 Outline dimensional

订货型号表示

Ordering Representation



L1:9/12/15
L2:24/48/60

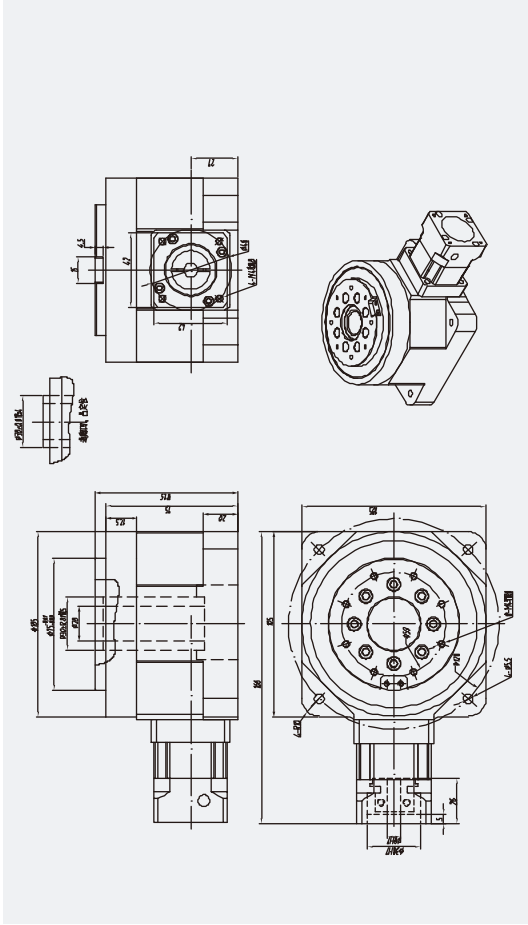
技术参数

Technical Parameter

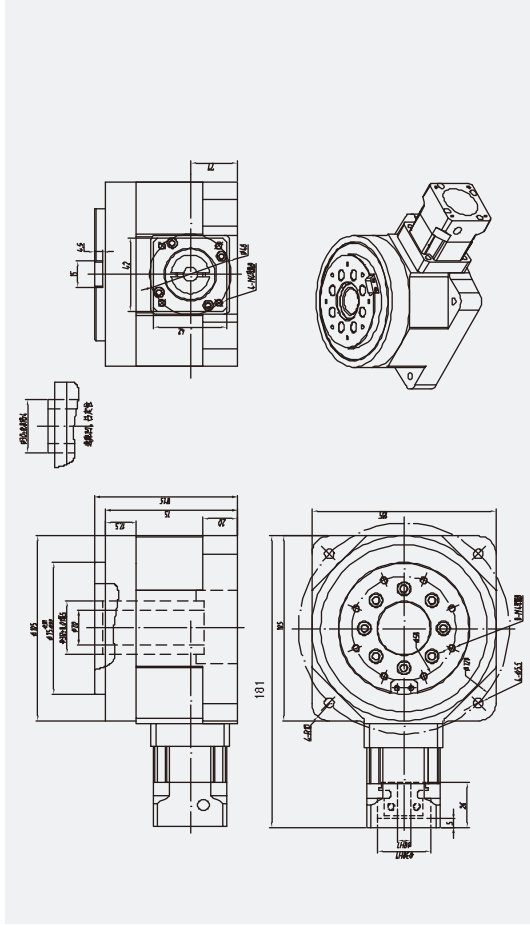
轴承结构	交叉滚子轴承 Cross roller bearing	FKTM42-L1	FKTM42-L2
减速比	Reduction ratio	9 12 15 18 24 25 45 60	15 18 24 25 45 60
额定输出扭矩	Rated output torque	N.m	N.m
最大输出扭矩	Output torque	N.m	N.m
定位精度	Positioning accuracy	arc-min	arc-min
反复定位精度	Repeated positioning accuracy	arc-sec	arc-sec
容许盘转速	Allowable disk speed	rpm	rpm
适配伺服马达	Adapt to servo motor	200(间歇运转) Intermitent operation	50-100
适配步进马达	Suitable for stepping motor	42 步进 Stepper	42 步进 Stepper
容许轴向负载	Allowable axial load	N	N
容许径向负载	Allowable radial load	N	N
设计承重	Design load	kg	kg
容许惯性力矩	Allowable moment of inertia	N.m	N.m
扭转刚性	Torsional rigidity	N.m/arcmin	N.m/arcmin
倾覆力矩	Overturning moment	N.m	N.m
精度寿命	Accuracy life	h	h
防护等级	Protection level	IP	IP
润滑方式	Lubrication method	长效润滑 long-term lubrication	长效润滑 long-term lubrication
安装方式	Installation method	任意 Arbitrary	任意 Arbitrary
旋转平台同心度	Concentricity of rotation platform	mm	mm
旋转平台平行度	Parallelism of rotation platform	mm	mm
传动效率	Transmission efficiency	%	%
噪音	Noise	db	db
重量	Weight	kg	kg

* 以上数据仅供参考，实际数据以产品规格书为准。

FKTM42-L1 配 100W 伺服接口



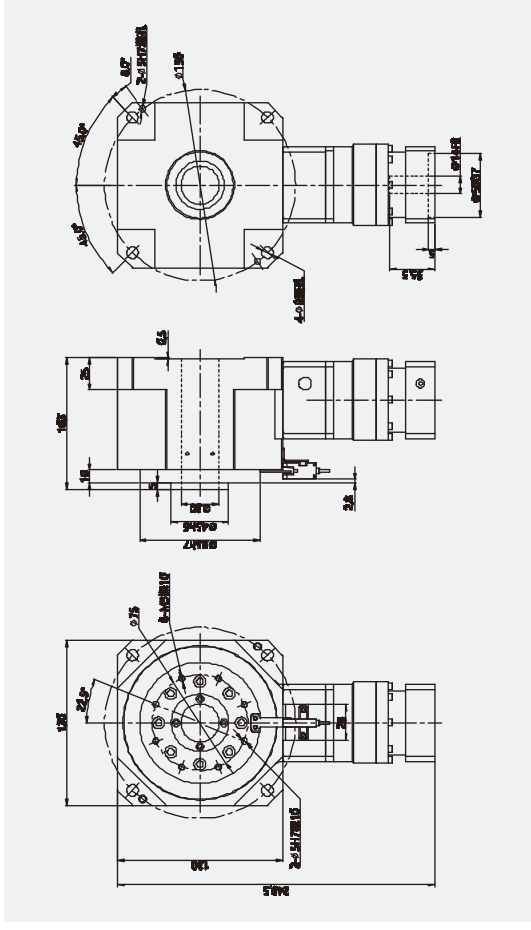
FKTM42-L2 配 100W 伺服接口



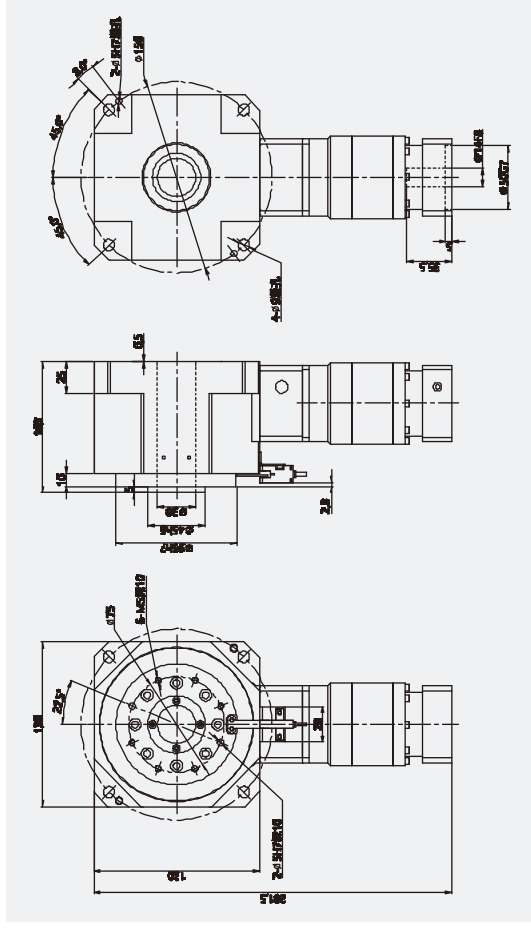
* 以上数据仅供参考，实际数据以产品规格书为准。

外形尺寸图表 Outline dimensional

FKTM130-L1 配 400W 伺服接口

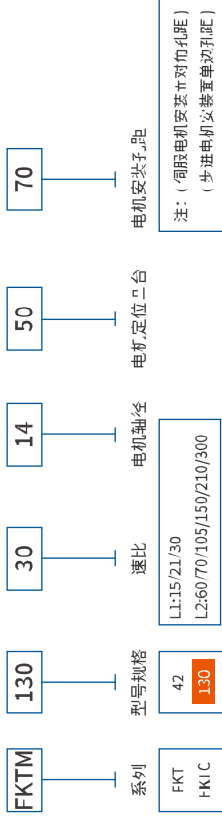


FKTM130-L2 配 400W 伺服接口



订货型号表示

Ordering Representation



技术参数

Technical Parameter

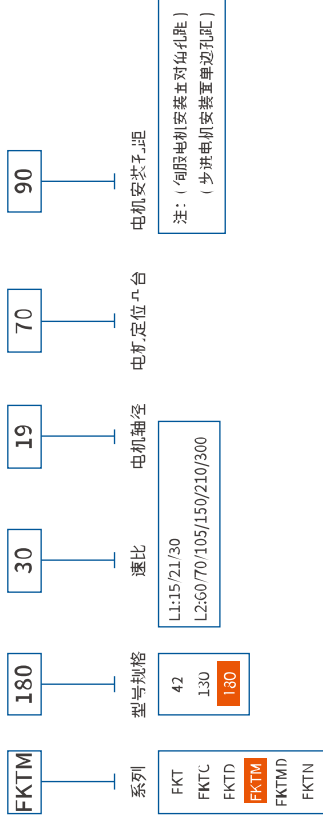
型号 Model	FKTM130-L1	FKTM130-L2
轴承结构 Bearing structure	交叉滚子轴承 Cross roller bearing	
减速比 Reduction ratio	15 21 30 60 75 105 120 150 210 300	
额定输出扭矩 Rated output torque	N.m 50 30 50 50 50 50 50 50 40 30	
最大输出扭矩 Output torque	N.m	
定位精度 Positioning accuracy	arc-min	≤ 3
重复定位精度 Repeated positioning accuracy	arc-sec	≤ 60
允许盘转速 Allowable disk speed	rpm	200(间歇运转) Intermittent operation
适配伺服马达 Adapt to servo motor		200-400
适配步进马达 Suitable for stepping motor		57 步进 Stepper
容许轴向负载 Allowable axial load	N 5300	
容许径向负载 Allowable radial load	N 5300	
设计承重 Design load	kg 30	
容许惯性力矩 Allowable moment of inertia	N.m 30	
扭转刚度 Torsional rigidity	N.m/arcmin 28	
倾覆力矩 Overturning moment	N.m 520	
精度寿命 Accuracy life	h	20000(间歇运转) Intermittent operation
防护等级 Protection level	IP	64
润滑方式 Lubrication method	长效润滑 Long-term lubrication	
安装方式 Installation method	任意 Arbitrary	
旋转平台同心度 Concentricity of rotation platform	mm	≤ 0.01
旋转平台平行度 Parallelism of rotation platform	mm	≤ 0.01
传动效率 Transmission efficiency	%	95
噪音 Noise	db	≤ 57
重量 Weight	kg	6.2
		6.8

* 以上尺寸仅供参考，最终以实物为准。请参见实物图及尺寸。

* 以上尺寸仅供参考，最终以实物为准。请参见实物图及尺寸。

订货型号表示

Ordering Representation



技术参数

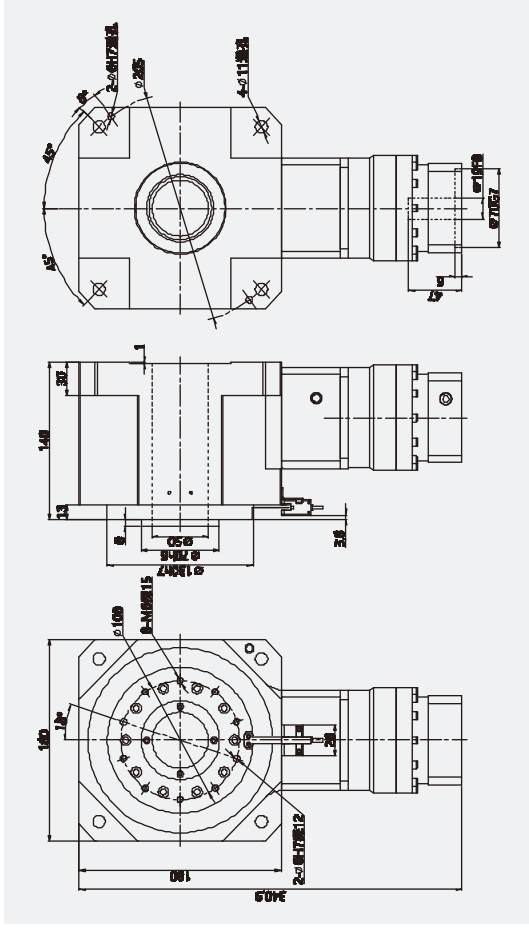
Technical Parameter

轴承结构	FKTM180-L1						FKTM180-L2					
	15	21	30	60	75	105	120	150	130	110	60	
减速比	15	21	30	60	75	105	120	150	130	110	60	
额定输出扭矩	N.m											
最大输出扭矩	N.m											
定位精度	arc-min	≤ 1										
反复定位精度	arc-sec	≤ 30										
允许盘面转速	rpm											
适配伺服马达	w											
适配步进马达												
容许轴向负载	n											
容许径向负载	n											
设计承重	kg											
容许惯性力矩	N.m											
扭转刚性	N.m/arcmin											
倾覆力矩	N.m											
精度寿命	h											
防护等级	IP											
润滑方式												
安装方式												
旋转平台同心度	mm											
旋转平台平行度	mm											
传动效率	%											
噪音	db											
重量	kg											

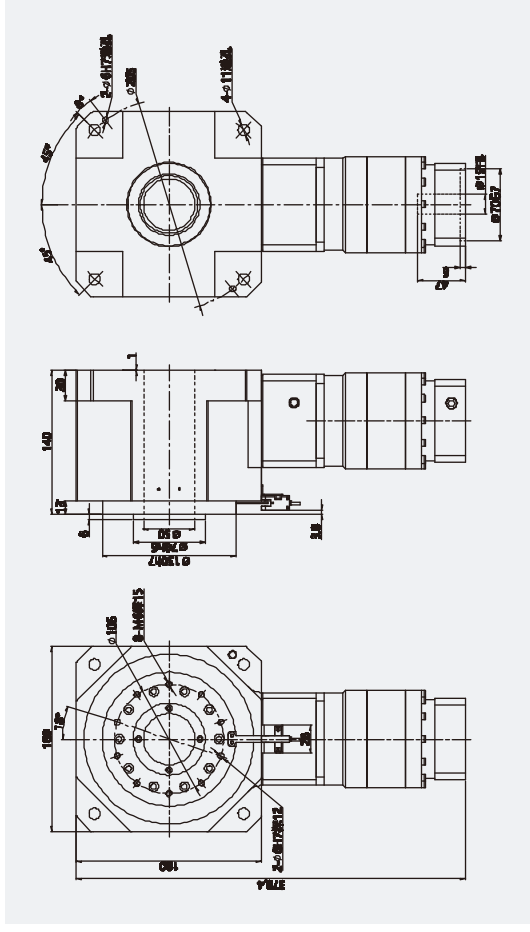
• 以上尺寸仅供参考，最终以实物为准。以上二组为实际参数及尺寸。

外形尺寸图表 Outline dimensional

FKTM180-L1 配 750W 伺服接口



FKTM180-L2 配 750W 伺服接口



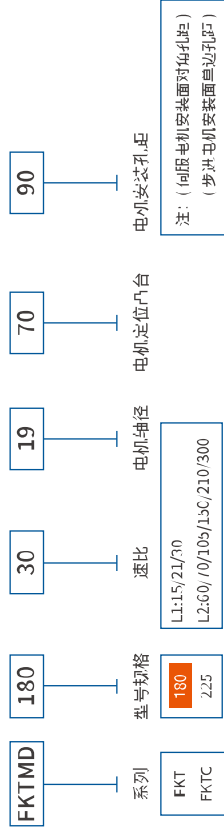
• 以上尺寸仅供参考，最终以实物为准。以上二组为实际参数及尺寸。

FKTMD SERIES

中空旋轉平臺
Hollow rotating platform



订货型号表示 Ordering Representation



- FKT
- FKTC
- FKTD
- FKTM
- FKTMD**
- FKTN

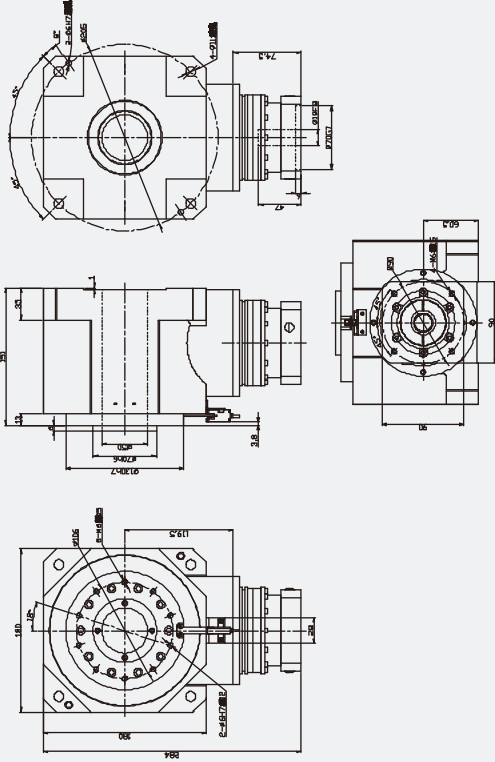
技术参数 Technical Parameter

	FKTMD180-L1		FKTMD180-L2	
	交叉滚子轴承	Cross roller bearing	交叉滚子轴承	Cross roller bearing
轴承结构	交叉滚子轴承 Cross roller bearing			
减速比	1	15	21	30
额定输出扭矩	N.m	190	160	90
最大输出扭矩	N.m	190	160	90
定位精度	arc-min	≤ 1	≤ 1	≤ 3
反复定位精度	arc-sec	≤ 30	≤ 30	≤ 60
容许盘面转速	rpm	2000(间歇运转)	Intermittent operation	2000(间歇运转)
适配伺服马达	w	750-1500	750-1500	86-110 步进 Stepper
容许轴向负载	n	13000	13000	13000
容许径向负载	n	13000	13000	13000
设计承重	kg	120	120	120
容许惯性力矩	N.m	90	90	90
扭转刚性	N.m/arcmin	60	60	60
倾覆力矩	N.m	1420	1420	1420
精度寿命	h	20000h(间歇运转)	Intermittent operation	20000h(间歇运转)
防护等级	IP	64	64	64
润滑方式		长效润滑	Long-term lubrication	长效润滑
安装方式		任意	Arbitrary	任意
旋转平台同心度	mm	≤ 0.01	≤ 0.01	≤ 0.01
旋转平台平行度	mm	≤ 0.01	≤ 0.01	≤ 0.01
传动效率	%	95	95	90
噪音	db	≤ 63	≤ 63	≤ 63
重量	kg	17.5	17.5	19.1

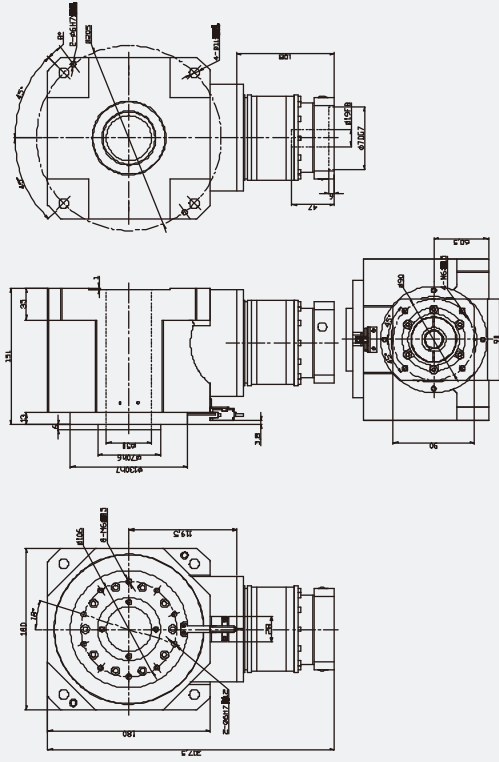
*以上产品尺寸仅供参考，最终以实际交付产品为准。

外形尺寸图表 Outline dimensional

FKTMD180-L1 配 750W 伺服接口



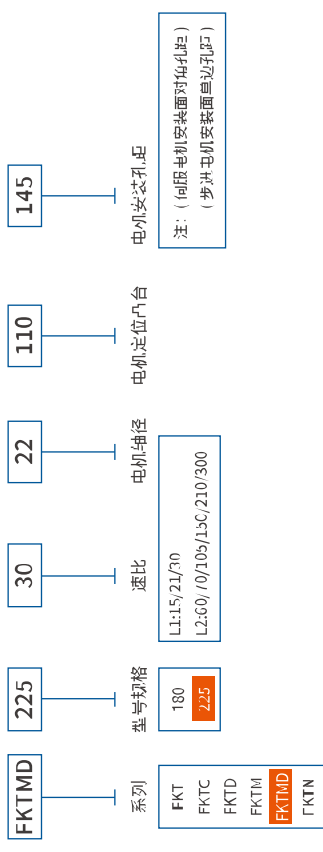
FKTMD180-L2 配 750W 伺服接口



* 以上尺寸仅供参考，最终以出厂图纸为准。*以上尺寸仅供参考及尺寸。

订货型号表示

Ordering Representation



技术参数

Technical Parameter

轴承结构	FKTMD225-L1					FKTMD225-L2				
	15	21	30	60	75	105	120	150	210	300
减速比	1	15	21	30	60	75	105	120	150	300
额定输出扭矩	N.m	4.20	3.80	3.00	4.20	4.20	4.20	4.20	4.20	3.00
最大输出扭矩	N.m									
定位精度	arc-min		≤ 1							≤ 3
反复定位精度	arc-sec		≤ 30							≤ 60
容许盘面转速	rpm						200(间歇运转)	Intermittent operation		
适配伺服马达	w						1000-3000			
适配步进马达							110-130 步进 Stepper			
容许轴向负载	n						18000			
容许径向负载	n						18000			
设计承重	kg						270			
容许惯性力矩	N.m						220			
扭转刚性	N.m/arcmin						150			
倾覆力矩	N.m						2530			
精度寿命	h						20000h(间歇运转)	Intermittent operation		
防护等级	IP						64			
润滑方式							长效润滑 Long-term lubrication			
安装方式							任意 Arbitrary			
旋转平台同心度	mm						≤ 0.01			
旋转平台平行度	mm						≤ 0.01			
传动效率	%						95			90
噪音	db						≤ 67			≤ 67
重量	kg						36			39.2

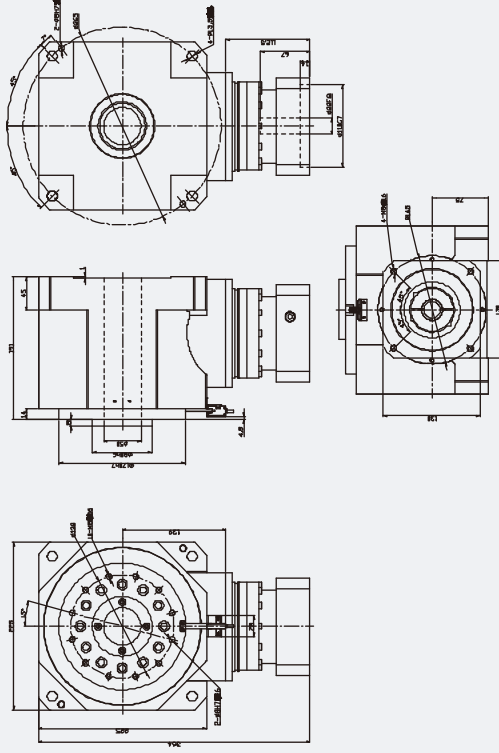
* 以上尺寸仅供参考，最终以出厂图纸为准。*以上尺寸仅供参考及尺寸。

FKTMD Series

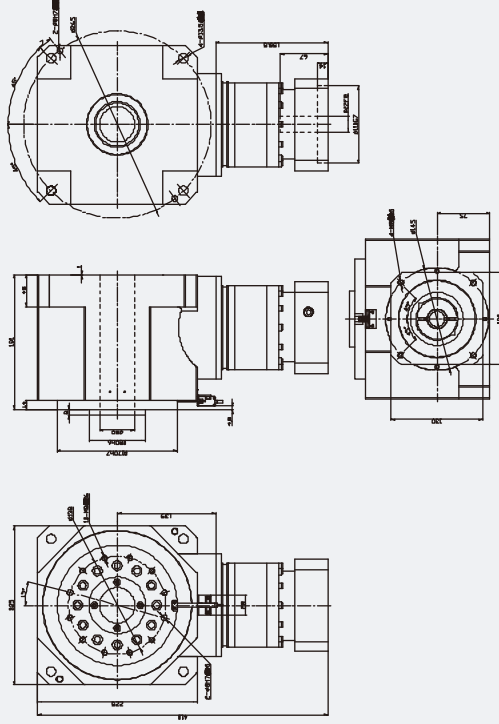
伺服行星減速機 Servo Planetary Reducer

外形尺寸圖表 Outline dimensional

FKTMD225-L1 配 1KW 伺服接口



FKTMD225-L2 配 1KW 伺服接口



* 以上尺寸仅供参考，實際製造尺寸以圖紙為準，輸出二維制式零件參數及尺寸。

FKTN SERIES

中空旋轉平臺

Hollow rotating platform



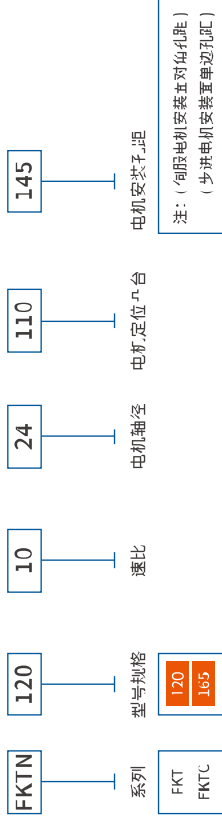
- 任意角度定位，定位精度高
- 高剛性，高扭矩
- 簡單原點回零
- 直接連接

- 中空結構
- 摺疊方便
- 節省空間

外形尺寸图表 Outline dimensional

订货型号表示

Ordering Representation



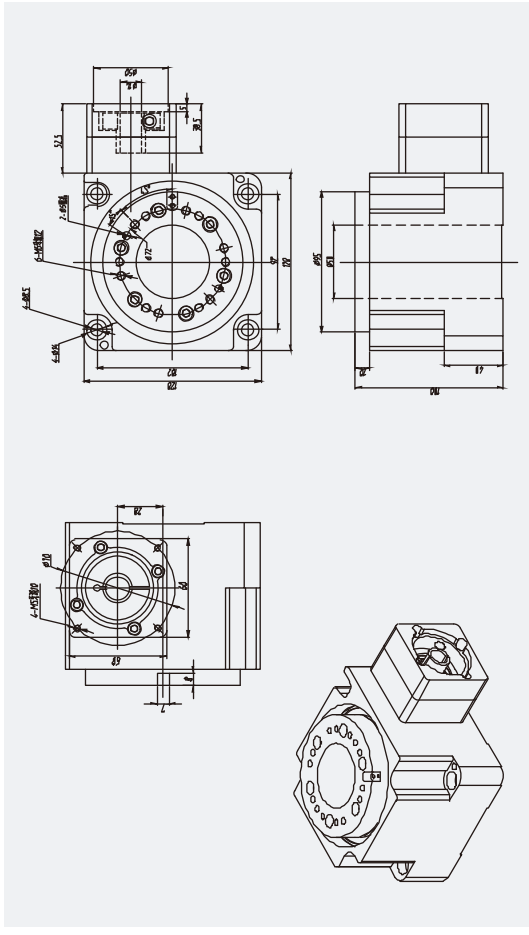
技术参数

Technical Parameter

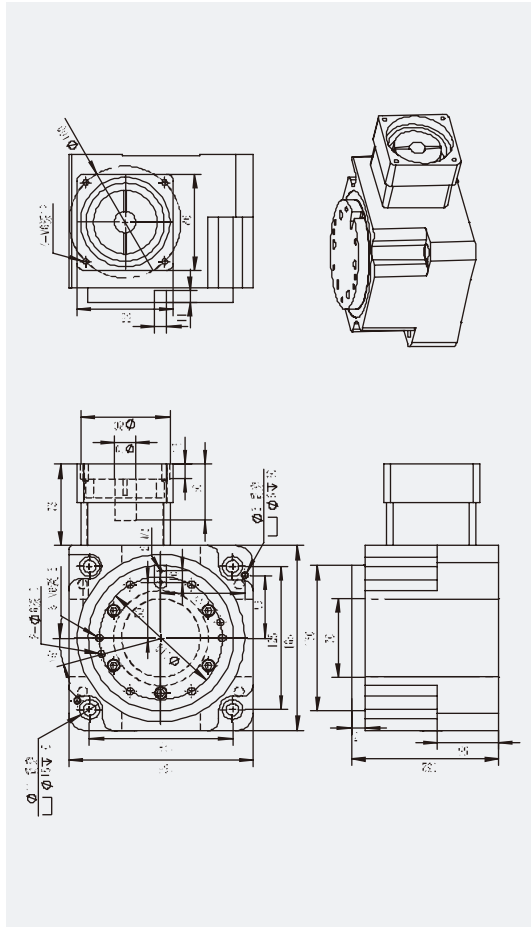
型号 Model	FKTN120	FKTN165
轴承结构 Bearing structure	交叉滚子轴承 Cross roller bearing	
减速比 Reduction ratio	30	440
额定输出扭矩 Rated output torque	N.m	N.m
最大输出扭矩 Output torque	230	3倍额定扭矩 3 Times rated torque
定位精度 Positioning accuracy	arc-min	≤ 1
反定位精度 Repeated positioning accuracy	arc-sec	≤ 15
容许盘面转速 Allowable disk speed	rpm	1.50(间歇运转) Intermittent operation
适配伺服马达 Adapt to servo motor	w	400-750
容许径向负载 Allowable radial load	n	18000
容许轴向负载 Allowable axial load	n	18000
倒置力矩 Overturning moment	N.m	1230
扭转刚度 Torsional rigidity	N.m/arcmin	50
转动惯量 Moment of inertia	N.m ²	/
精度寿命 Accuracy life	h	20000h(间歇运转) Intermittent operation
防护等级 Protection level	IP	64
润滑方式 Lubrication method	长效润滑 Long-term lubrication	
安装方式 Installation method	任意 Arbitrary	
旋转平台同心度 Concentricity of rotation platform	mm	≤ 0.01
旋转平台平行度 Parallelism of rotation platform	mm	≤ 0.02
传动效率 Transmission efficiency	%	90
噪音 Noise	db	≤ 73
重量 Weight	kg	5.5
设计重量 Design load	kg	50

以上尺寸仅供参考，最终以实物为准。以上为系列的标准参数及尺寸。

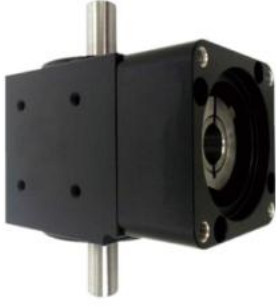
FKTN120-30 配 400W 伺服接口



FKTN165-30 配 750W 伺服接口



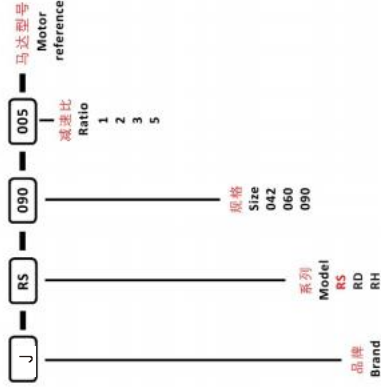
以上尺寸仅供参考，最终以实物为准。以上为系列的标准参数及尺寸。



INDICATION FOR MODEL

SELECTION

• 机种型号表示



GENERAL NOTICES

• 订货须知

- 机种、型号、扭矩
- 减速比或出力轴转速
- 工况及连接方式
- 数量及安装的名称
- 入力方式和入力转速
- 马达厂牌型号或法兰及马达轴尺寸
- Type, model and torque
- Ratio or output speed
- Working conditions and connection methods
- Quantity and installed machine name
- Input mode and input speed
- Motor brand model or flange and motor shaft size

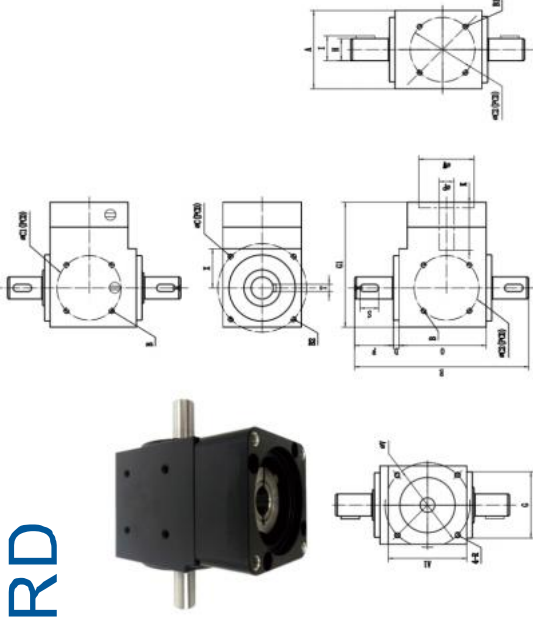
PERFORMANCE DATA OF

SPEED REDUCER

• 减速机性能资料/Performance

减速机型号/Model	JRS/JRH/JRD042	JRS/JRH/JRD060	JRS/JRH/JRD090
外形尺寸/Frame size	□42	□60	□90
额定输出扭矩/Rated output torque	15N.m	30N.m	60N.m
最大输出扭矩/Maximum output torque	2倍额定输出扭矩 / 2 times rated output torque		
额定输入转速/Rated input speed	1500rpm	1000rpm	1000rpm
最大输入转速/Maximum input speed	2000rpm		
减速比/Reduction ratio	3	1、2、3、5	
背隙/Backlash	背隙可调 / Adjustable backlash		
容许径向负载/Allowable radial load	300N	500N	1200N
容许轴向负载/Allowable axial load	150N	200N	500N.
输入轴径/Input shaft size	≤11 / ≤12 (mm)	14 / ≤16 (mm)	≤19 / ≤24 (mm)
转动惯量/Rotational inertia	0.02kg·[cm] ²	0.06kg·[cm] ²	0.4kg·[cm] ²
扭转刚性/Torsional rigidity	1.2Nm/arc min	1.5Nm/arc min	5Nm/arc min
额定寿命/Rated lifespan	10000h (额定负载及额定输入转速条件下Condition under rated load and rated input speed)		
效率/Efficiency	95%		
工作温度/Working Temperature	- 10°C ~ 80°C		
旋转方向/Rotation direction	与输入轴相反 / Opposite with the input shaft		
防护等级/Protection Level	IP65		
润滑方式/Lubricating method	脂润滑 / Grease Lubrication		
安装方向/Installation direction	任意方向 / In any direction		
噪音/Noise Level	≤62dB(A)	≤65dB(A)	≤65dB(A)
重量/Weight	0.7Kg	1.3Kg	4.1Kg

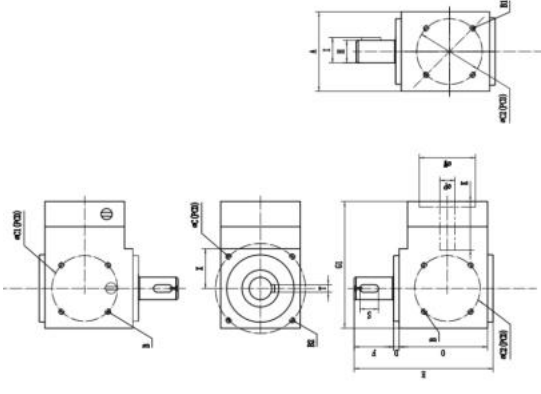
JRD



尺寸/Size	JRD042/03	JRH06001/02/03/05	JRH09001/02/03/05
A	42.5	60	90
A1	42.5	60	90
B	4-M3深/Depth4	4-M4深/Depth5	4-M5深/Depth8
B1	4-M3深/Depth4	4-M4深/Depth5	4-M5深/Depth8
B2	4-M3深/Depth6	4-M5深/Depth10	4-M6深/Depth12
C	48	70	100
C1	42	46	70
C2	35	36	60
D	3	3	3
E	94	125	170
F	21	27	35
G	36	52	80
G1	68	98	129
H	12	14	19
I	13.5	16	21.8
K	26	34	41
O	47	64	93.5
S	10	16	25
T	4	5	6
X	21.25	30	45

* 以上尺寸不可少者，請參照以下之規格圖，內山二種制訂之規格參數及尺寸。

JRS



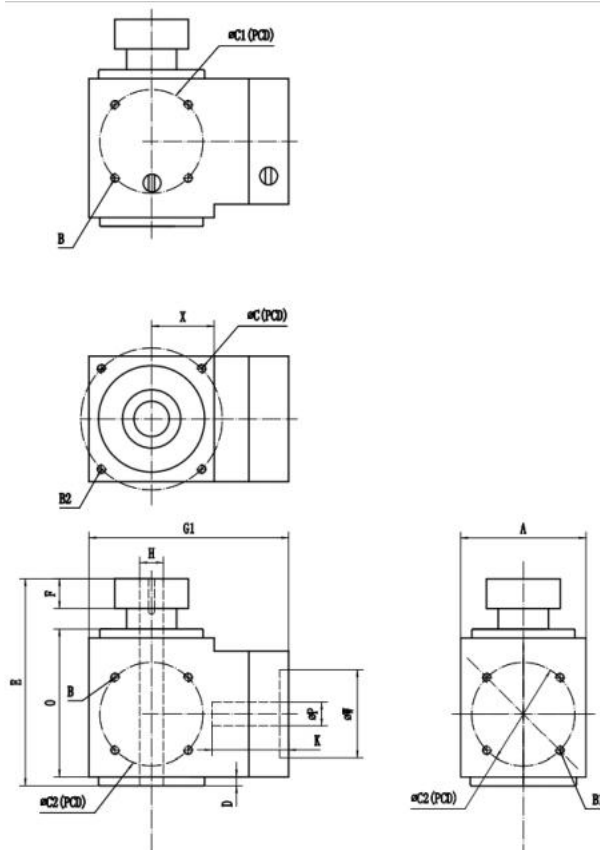
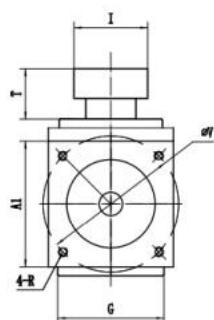
尺寸/Size	JRS042/03	JRS06001/02/03/05	JRS09001/02/03/05
A	42.5	60	90
A1	42.5	60	90
B	4-M3深/Depth4	4-M4深/Depth5	4-M5深/Depth8
B1	4-M3深/Depth4	4-M4深/Depth5	4-M5深/Depth8
B2	4-M3深/Depth6	4-M5深/Depth10	4-M6深/Depth12
C	48	70	100
C1	42	46	70
C2	35	36	60
D	3	3	3
E	74	97	136.5
F	21	27	35
G	36	52	80
G1	68	98	129
H	12	14	19
I	13.5	16	21.8
K	26	34	41
O	47	64	93.5
S	10	16	25
T	4	5	6
X	21.25	30	45

* 以上尺寸不可少者，請參照以下之規格圖，內山二種制訂之規格參數及尺寸。

JR SERIES

精密直角減速機 Precision Right Angle Reducer

JRH



尺寸/Size	JRH042/03	JRH06001/02/03/05	JRH09001/02/03/05
A	42.5	60	90
A1	42.5	60	90
B	4-M3深/Depth4	4-M4深/Depth5	4-M5深/Depth8
B1	4-M3深/Depth4	4-M4深/Depth5	4-M5深/Depth8
B2	4-M3深/Depth6	4-M5深/Depth10	4-M6深/Depth12
C	48	70	100
C1	42	46	70
C2	35	36	60
D	3	3	3
E	65.5	88	125
F	8	10	16
G	36	52	80
G1	68	98	129
H	8	14	20
I	25	34	54
K	26	34	50
O	47	64	93.5
T	12.5	18	25
X	21.25	30	45

* 以上圖紙尺寸僅供參考，實際根據客戶提供的數據，繪出相關的技术參數及尺寸。