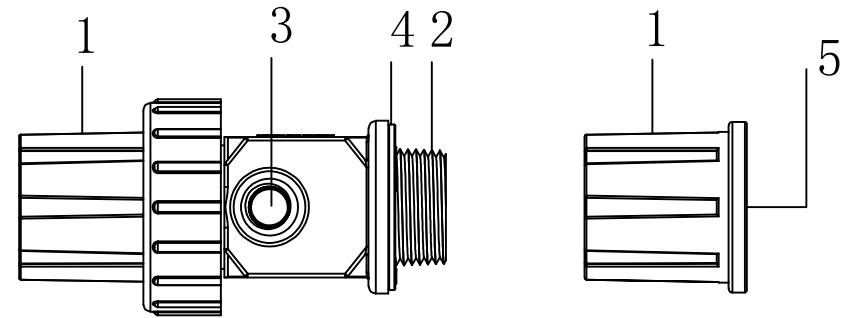
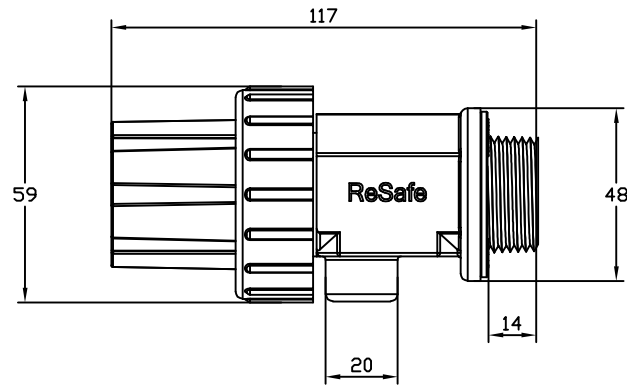
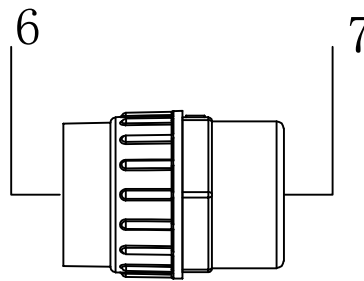
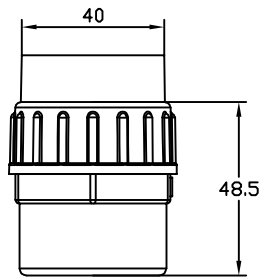


A:



B:



Technical requirement

- 1、Design Pressure 0.6MP
- 2、Design Temperature 49°C (150°F)
- 3、Min allowable temperature -10°C (14°F)
- 4、Working medium pH3-11 water
- 5、Please operate correctly according to the operating instructions
- 6、Design changes will not be notified separately. Please log in to the company website to check www.resafe.com.cn www.resafe.cn

7	Hose Joint-B	RS-QJ-25-100P-7	1	UPVC	Hose joint: DN25-4mm Thickness
6	Adhesive joint-B	RS-QJ-25-100P-6	1	UPVC	32mm*33.4mm (Optional)
B	Multi functional quick joint-B				
5	Sealing ring	RS-QJ-25-100P-5	1	EPDM	36.5*3.55mm
4	Sealing pad	RS-QJ-25-100P-4	1	EPDM	46*31*2mm
3	Sample port	RS-QJ-25-100P-3	1	UPVC	1/4 NPT Internal thread
2	External thread	RS-QJ-25-100P-2	1	UPVC	DN25 NPT&G (Optional)
1	Adhesive joint-A	RS-QJ-25-100P-1	1	UPVC	Rigid pipe: 32mm*33.4mm hose joint: DN25-4mm Thickness (Optional)
A	Multi functional quick joint-A				
No.	Name	Code	qty	Material	Remark

Jinan ReSafe Environmental Technology Co., Ltd

ReSafe	Design Date	Name RS-25-100P Multi Functional Quick joint	
	Review Date	Code RS25-QJ-100P	
	Review Date	Unit mm	Rev 2026
	Approve Date		