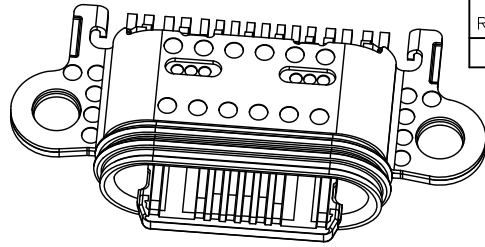
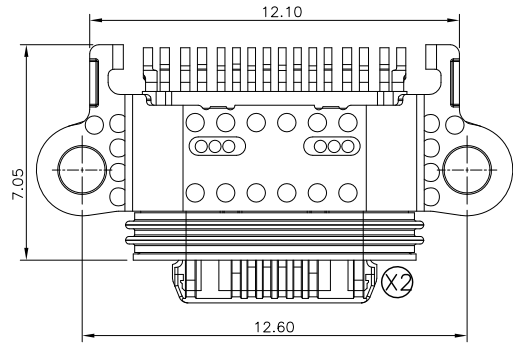


REV.	ECN NO.	LOCATION	DESCRIPTION	DATE	DESIGN

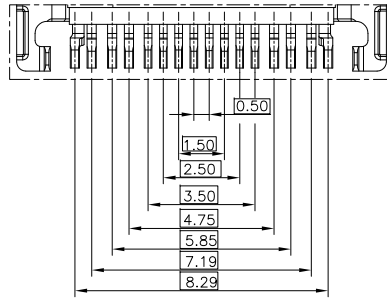
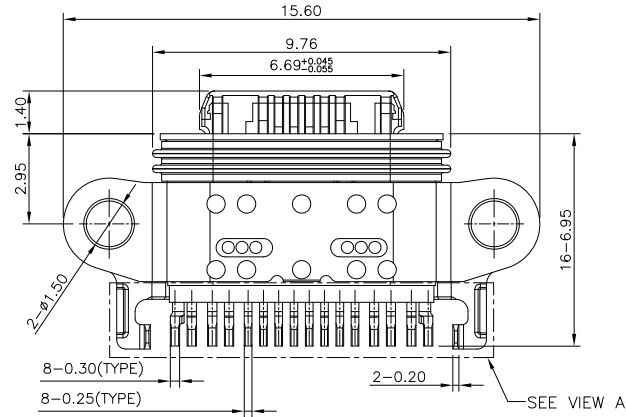
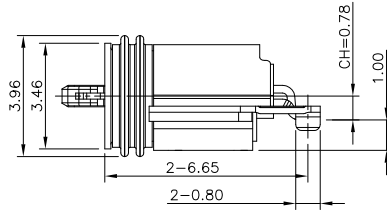
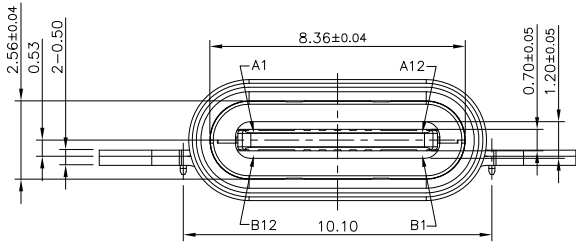


A1	A2	A4	A5	A6	A7	A8	A9	A10	A11	A12	
GND	TX1+	TX1-	VBUS	CC1	D+	D-	SBU1	VBUS	RX2-	RX2+	GND
GND	RX1+	RX1-	VBUS	SBU2	D-	D+	CC2	VBUS	TX2-	TX2+	GND
B12	B11	B10	B9	B8	B7	B6	B5	B4			B1

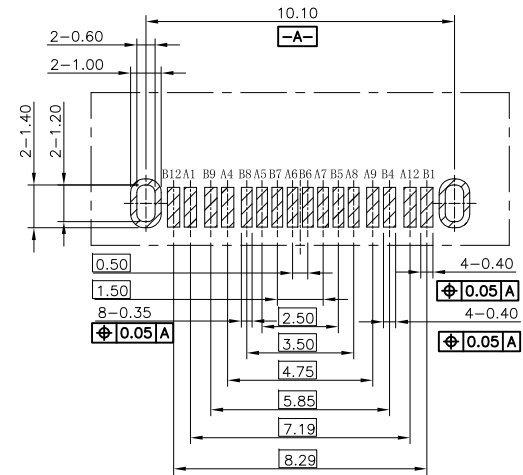
PIN ASSIGNMENT  
(FRONT VIEW)

NOTES:

- CURRENT RATING: 8A MAX.;
- DIELECTRIC WITHSTANDING: 100V AC MIN.;
- TEMPERATURE RANGE: -30°C~85°C;
- CONTACT RESISTANCE: 40mΩ MAX.;
- INSULATION RESISTANCE: 100MΩ MIN.;
- DURABILITY: 10,000 CYCLES MIN.;
- INSERTION FORCE: 5N~20N;
- EXTRACTION FORCE:  
(1) INITIAL: 8N~20N;  
(2) AFTER DURABILITY: 6N~20N.
- PRODUCT MEET THE REQUEST OF THE RoHS.



SEE VIEW A



RECOMMENDED PCB LAYOUT(T=0.80)  
SCALE: 2:1(GENERAL TOLERANCE±0.05)



11	MAIN HOUSING	1 PCS	HIGH TEMPERATURE PLASTIC	BLACK
10	TOP HOUSING	1 PCS	HIGH TEMPERATURE PLASTIC	BLACK
09	BOTTOM HOUSING	1 PCS	HIGH TEMPERATURE PLASTIC	BLACK
08	RUBBER	1 PCS	LSR	RED
07	LOW SHELL	1 PCS	STAINLESS STEEL	SOLDER:NI PLATED
06	UPPER SHELL	1 PCS	STAINLESS STEEL	SOLDER:Au GOLD FLASH/NI PLATED
05	INNER SHELL	1 PCS	STAINLESS STEEL	SOLDER:NI PLATED
04	SOLDERING PART	1 PCS	STAINLESS STEEL	SOLDER:NI PLATED
03	PLATE	1 PCS	STAINLESS STEEL	NO PLATING
02	CONTACT B	1 SET	COPPER ALLOY	Au:SEE TABLE A/NI PLATED
01	CONTACT A	1 SET	COPPER ALLOY	Au:SEE TABLE A/NI PLATED
ITEM	PART NAME	Q'TY	MATERIAL	DESCRIPTION

This document is the property of Xiezhhan development corporation.

东莞市协展电子科技有限公司

UNLESS OTHERWISE SPECIFIED, TOLERANCE:  
X. ±0.30  
X.x ±0.20  
X.xx ±0.15  
X.xxx ±0.10  
ANGLES ±3°

DESIGN:	DATE: 2019.12.18	TITLE:
CHECKED:	DATE:	WATERPROOF USB TYPE-C 16pin
APPROVED:	DATE:	RENO4
PART NO.: SEE TABLE A	REV.: X2	SCALE: 5:1
DRAWING NO.: C-UTC0003S00-01	SIZE: A4	SHEET: 1/1