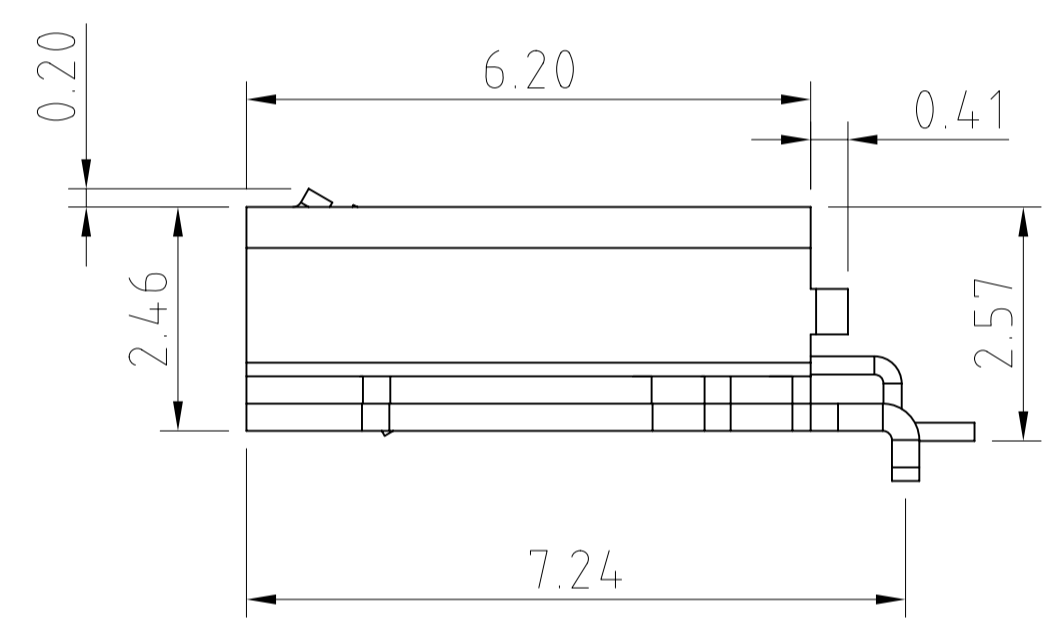
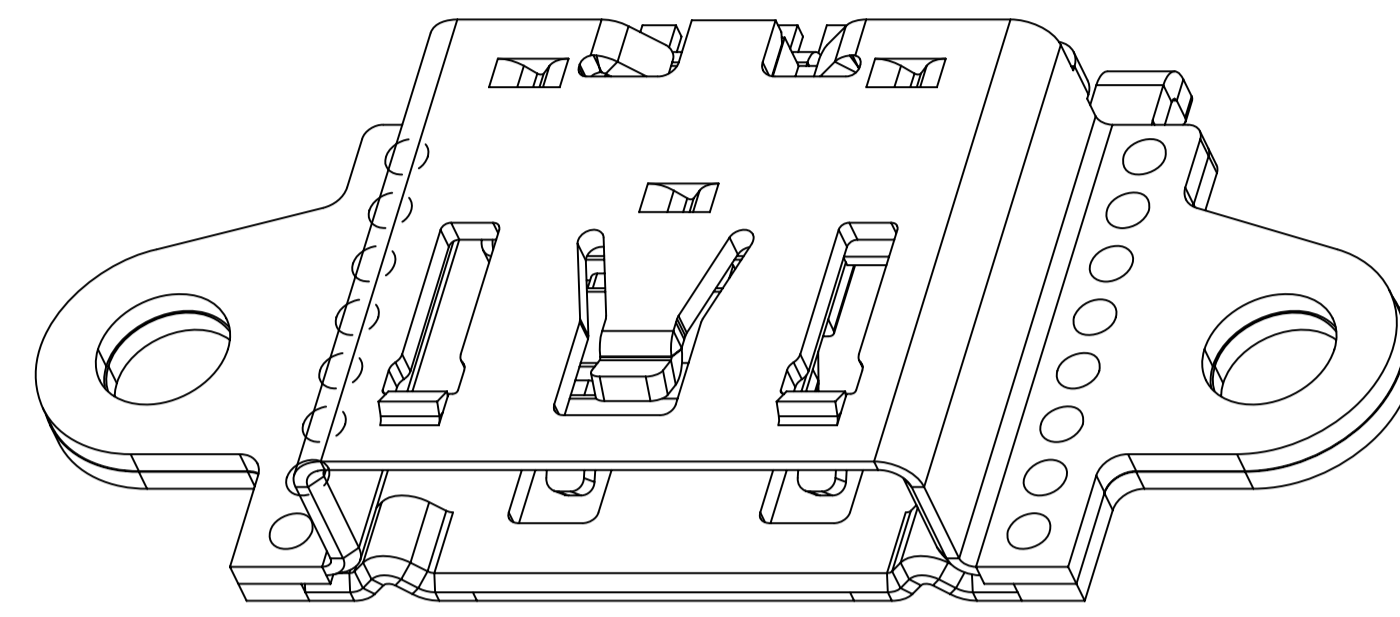
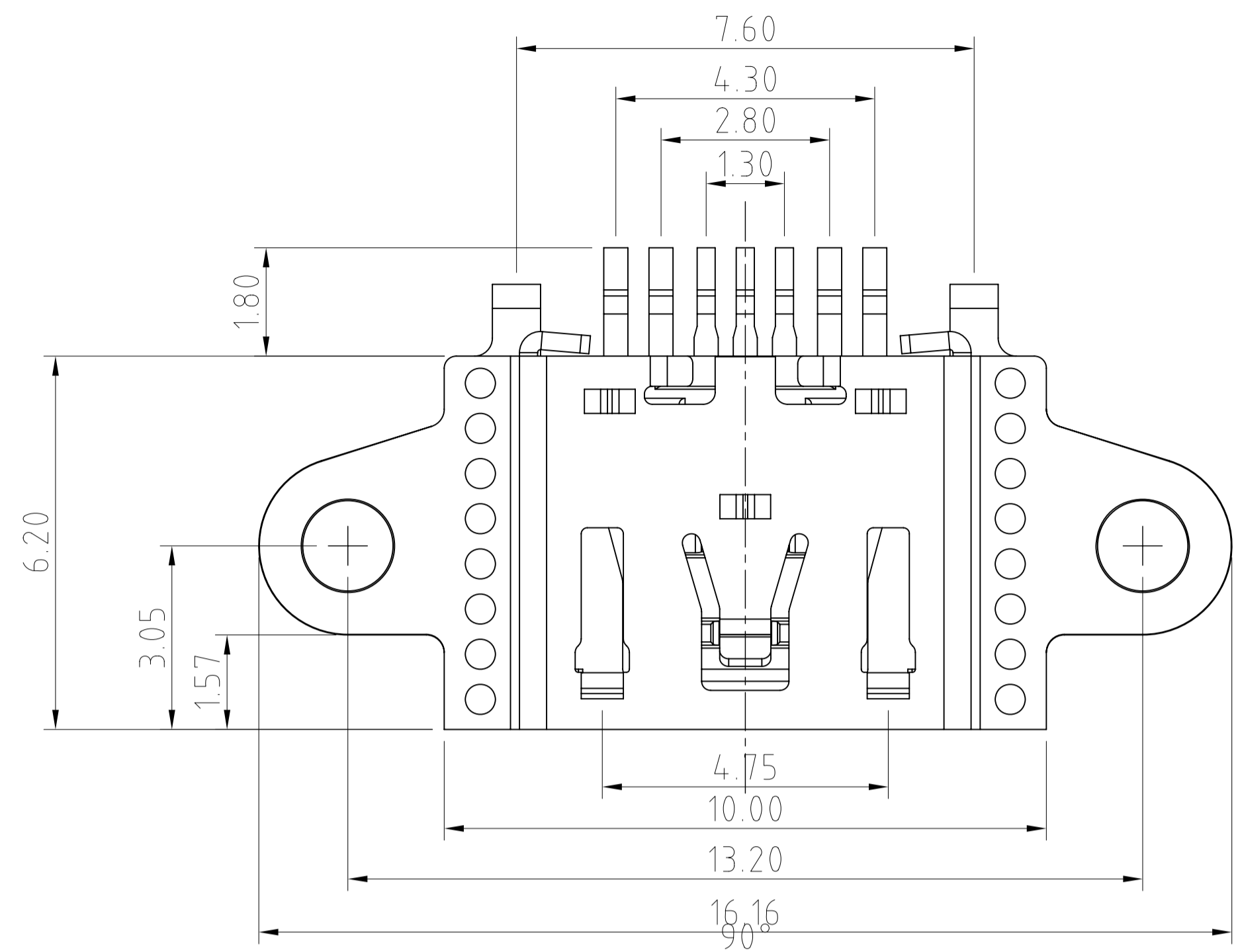
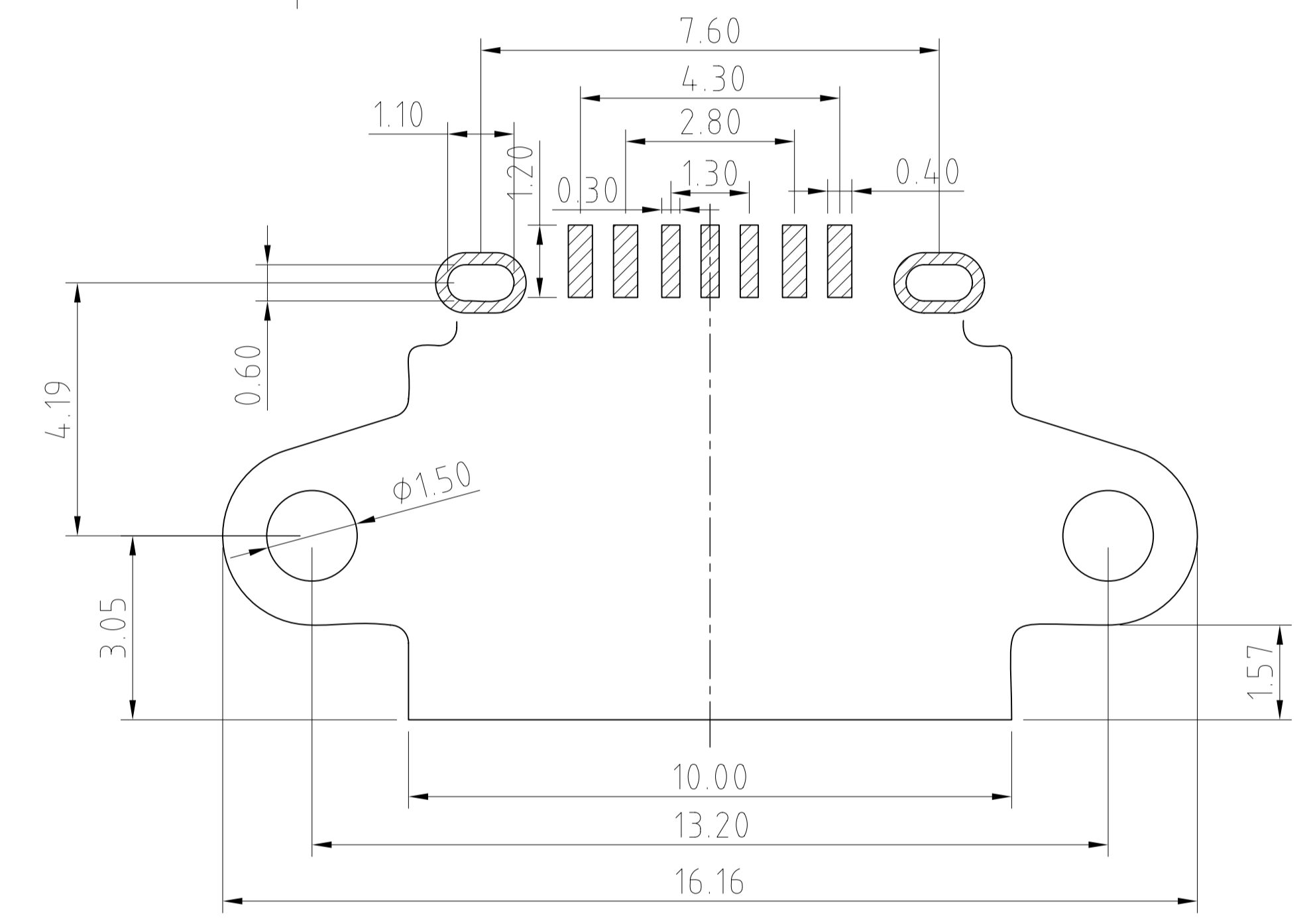


REV.	ECN. NO.	APPD.

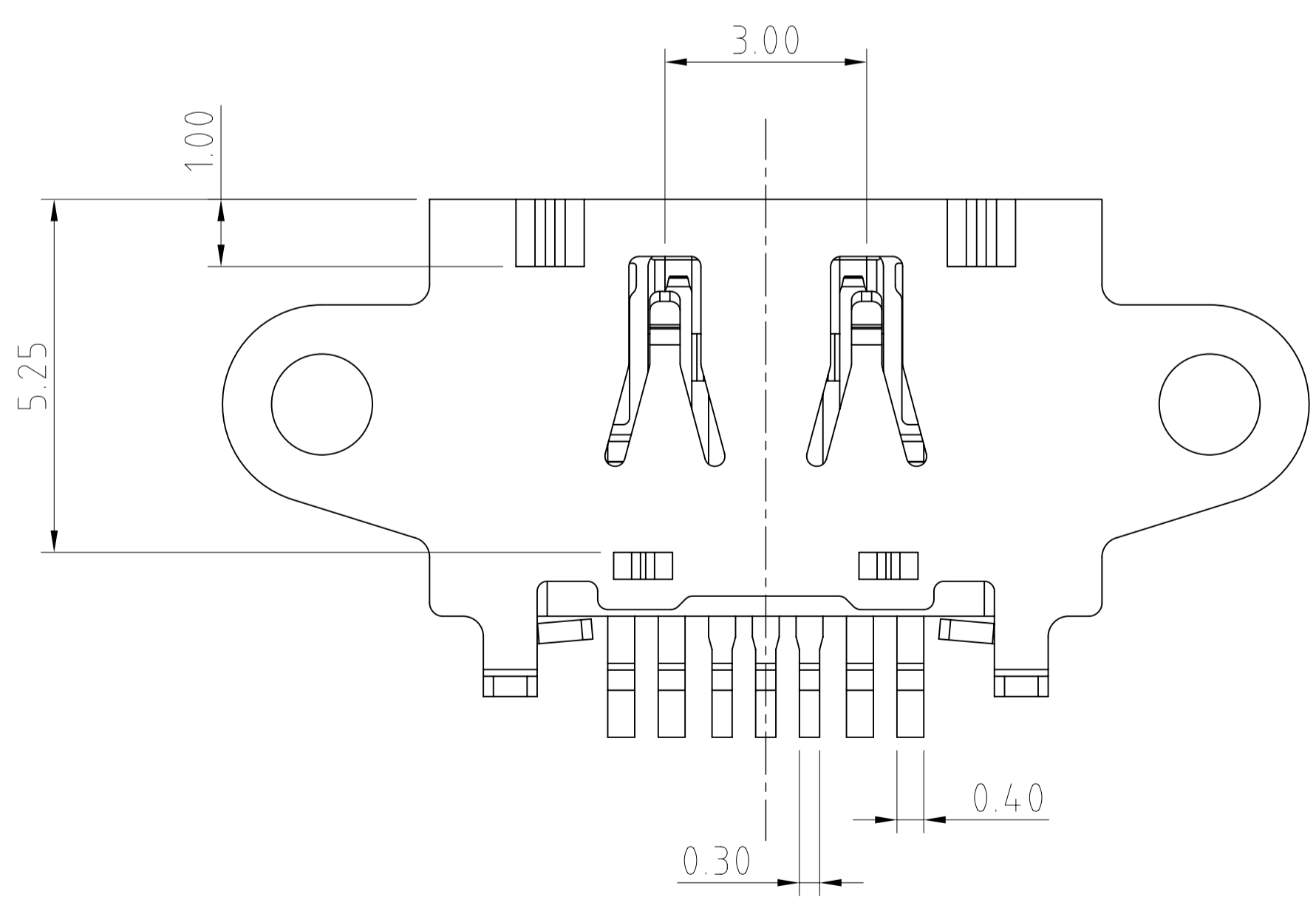
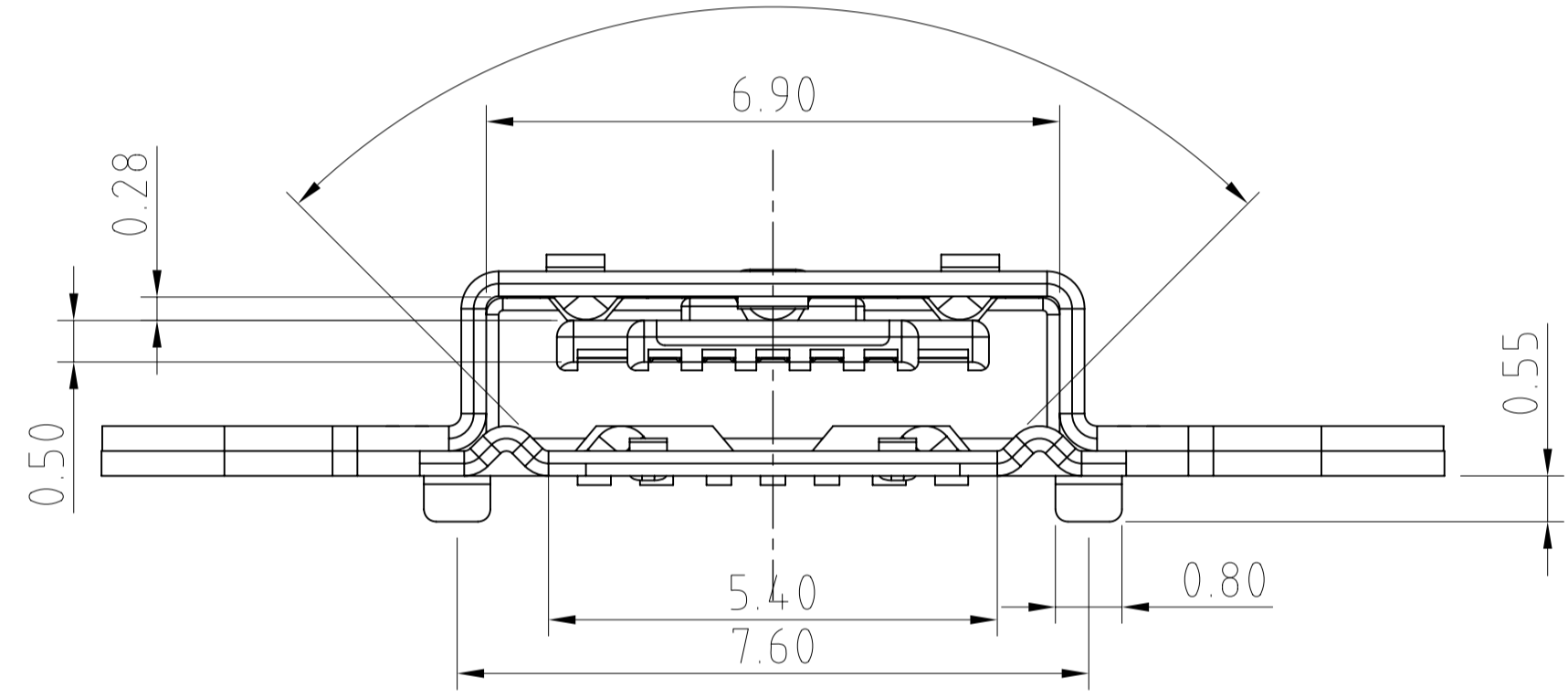


- Notes:
1. Dimension shall be interpreted per ASME Y14.5M1994.
 2. Dimension marked ∇ & \blacktriangledown should be checked by Q.C. and process, engineers and ∇ should also check the CPK data.

- Specification:
1. Current Rating: 5.0 AMP
 2. Voltage Rating: 30V AC,DC
 3. Dielectric Strength: 500V AC RMS for 1 minute.
 4. Contact Resistance: 30 mΩ Max.
 5. Insulator Resistance: 500M Ω Min. AT 250V DC.
 6. Mating/Unmating cycles: 2000cycles
 7. Temperature: -20°C to +60°C



P.C.B LAYOUT



4	Spring	1	SUS304R-1/2H Ti/Ni Plating T=0.12mm	
3	Shell	1	SUS304R-1/2H Ti/Ni Plating T=0.30mm	
2	Contact	7	Phosphor bronze C5210R-EH Au/Ni Plating T=0.20mm	
1	Housing	1	PA9T&LCP (G.F30%) Black	
ITEM	PART NAME	Q'TY	FINISH	NOTE

X.	±0.50	X.°	±2°	UNITS mm	 协展电子科技有限公司 Xie Zhan Electronic Technology Co., Ltd	
.X	±0.30	.X.°	±1°			
.XX	±0.10	.XX.°	±0.5°	MAT'L	PART NO. (INTENDED USE)	
.XXX	±0.05			FINISH	TITLE: Micro USB 7Pin SMT Type (B Type 7PIN 板上型有钢片)	
THESE DRAWINGS AND SPECIFICATIONS ARE THE PROPERTY OF XIE ZHAN ELECTRONIC TECHNOLOGY CO.,LTD.AND SHALL NOT BE REPRODUCED, COPIED OR USED IN ANY MANNER WITHOUT THE PRIOR WRITTEN CONSENT OF XIE ZHAN ELECTRONIC TECHNOLOGY CO., LTD					APPD:	
					CHKD:	DWG NO.:
					DR: Steven.Xie 2020/07/10	A71 USB
					SCALE	
					SHEET	
					REV.	
					1/1	
					1/1	
					A1	