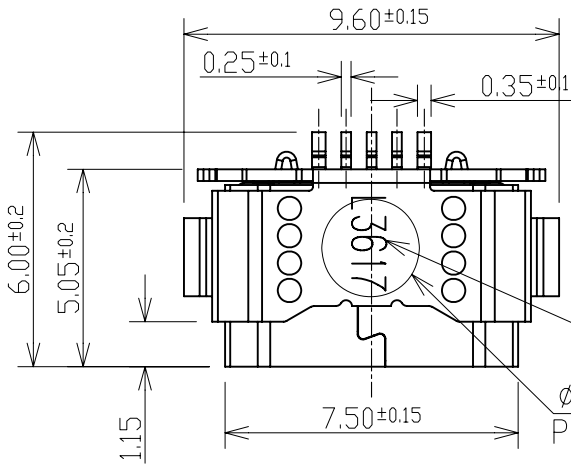
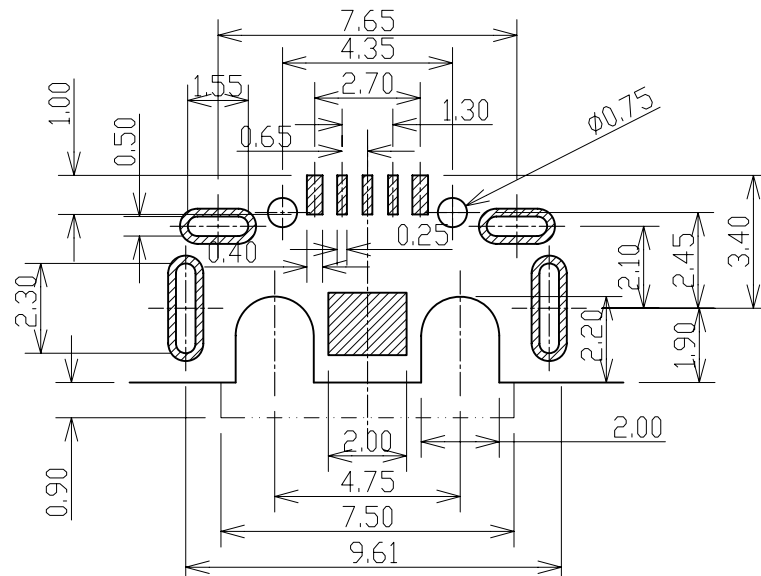


REV.	ECN NO.	DESCRIPTION	DRAW	APPD.	DATE
A	---	新版本发行	SHI	DMX	2018.03.12

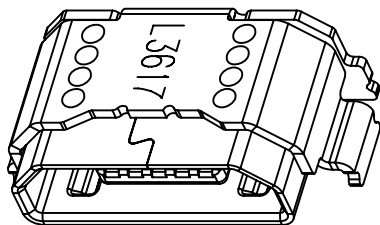
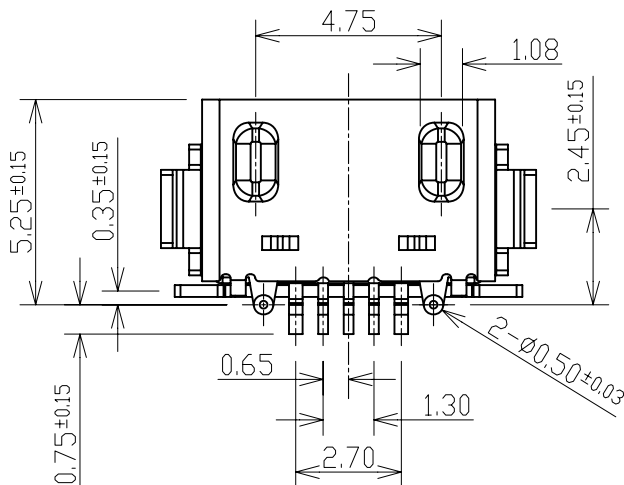
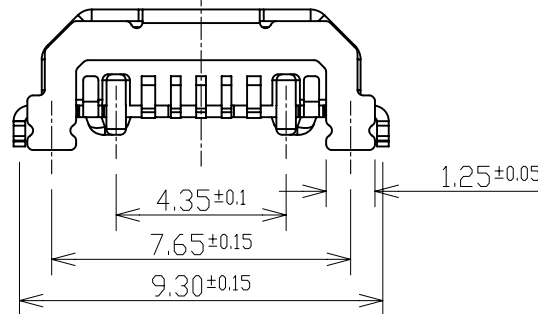
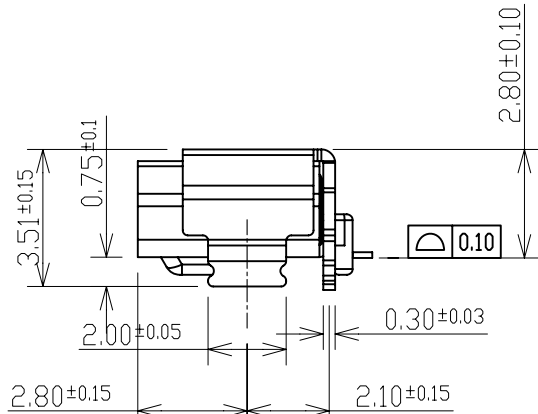
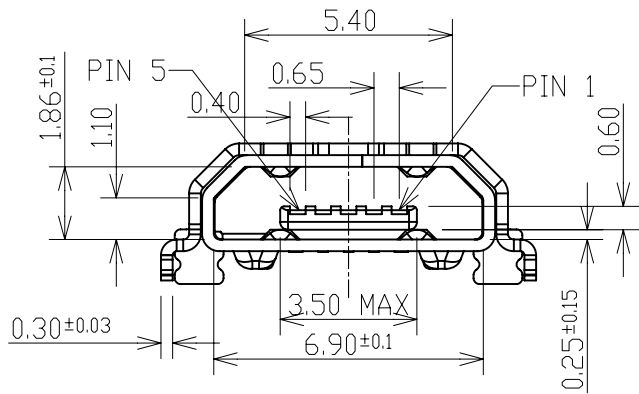


- NOTES:  
SPECIFICATION:
- CURRENT RATING: 2.0A MAX
  - VOLTAGE: 100 VAC
  - TEMPERATURE RANGE: -30 °C ~ 85 °C
  - CONTACT RESISTANCE: 40 MILLIONHM MAX
  - INSULATION RESISTANCE: 100 MEGOHMS MIN.
  - INSERTION FORCE : 5N~20N
  - UNMATING FORCE: 8N~20N
  - DURABILITY: 5,000 CYCLES

DATE CODE  
PICK & PLACE AREA  
Ø2.50



(TOP VIEW)  
RECOMMENDED P.C.B. LAYOUT TOLERANCE ±0.05mm



4	OUT SHELL	STAINLESS STEEL	Au/Ni Plated	1PCS
3	SHELL	STAINLESS STEEL	Ni Plated	1SET
2	CONTACT	COPPER ALLOY	Au/Ni Plated	1SET
1	HOUSING	HIGH TEMPERATURE PLASTIC	BLACK	1PCS
NO.	DESCRIPTION	MATERIAL	REMARKS	QTY

TOLERANCE		NAME(INTENDED USE) CUSTOMER DRAWING	东莞市协展电子科技有限公司		
X.X ±0.30	X.* ± 2°	PART NO.	TITLE: Micro USB 5PIN B/REC. CONN. 反向牛角双外壳有柱型		
.XX ±0.20	.X* ± 1°		DRAWG NO. G9-Lite		
.XXX ±0.10	.XX* ±0.5°		SCALE SHEET REV. 1:1 1/1 A		
UNITS	mm	APPD:			
MATERILA		CHED:			
FINISH		DRAW:			

由 Autodesk 教育版产品制作

由 Autodesk 教育版产品制作