

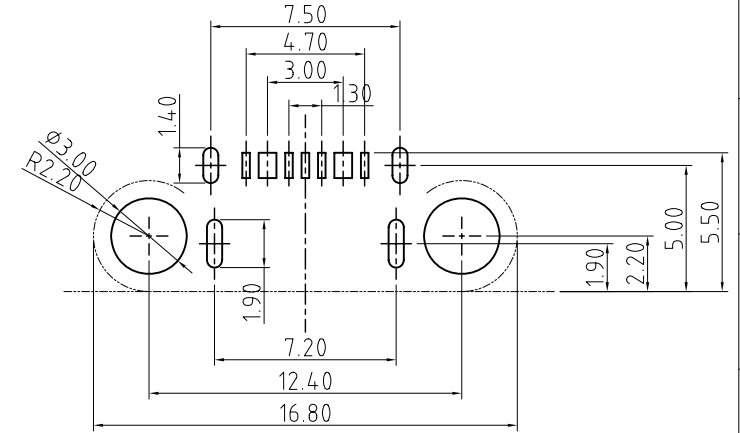
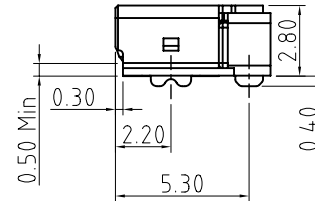
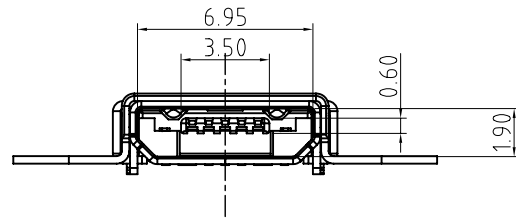
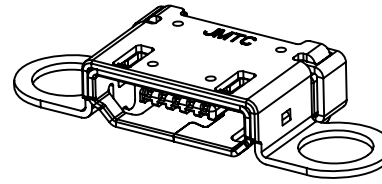
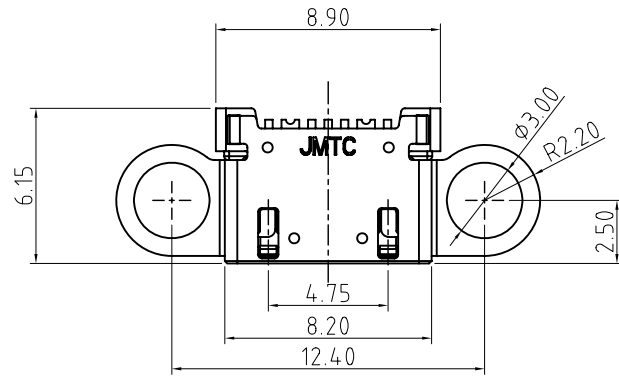
REV.	ECN. NO.	APPD.

Notes:

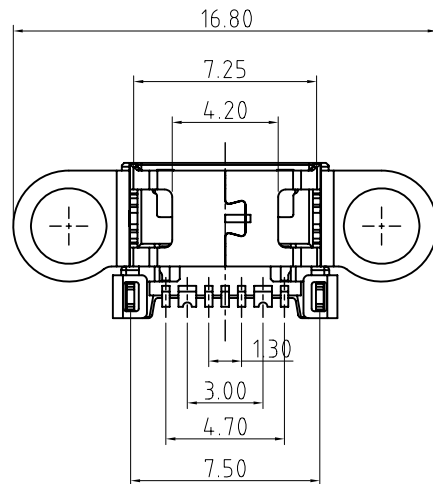
1. Dimension shall be interpreted per ASME Y14.5M1994.
2. Dimension marked ∇ & \blacktriangledown should be checked by Q.C. and process, engineers and ∇ should also check the CPK data.

Specification:

1. Current Rating: 1.0 AMP
2. Voltage Rating: 30V AC,DC
3. Dielectric Strength: 500V AC RMS for 1 minute.
4. Contact Resistance: 30 mΩ Max.
5. Insulator Resistance: 500MΩ Min. AT 250V DC.
6. Mating/Unmating cycles: 2000cycles
7. Temperature: -20°C to +60°C



P.C.B LAYOUT



5	Shell	2	SUS 304R-1/2H Tin/Ni Plating T=0.30mm
4	Shell	1	SUS 304R-1/2H Tin/Ni Plating T=0.30mm
3	Contact-2	6	Phosphor bronze C5210R-EH Au/Ni Plating T=0.15mm
2	Contact-1	5	Phosphor bronze C5210R-EH Au/Ni Plating T=0.15mm
1	Housing	1	PA9T&LCP (G.F30%) Black

ITEM	PART NAME	Q'TY	FINISH	NOTE
X.	±0.50	X° ±2°	UNITS mm	协展电子科技有限公司 Xie Zhan Electronic Technology Co., Ltd
X	±0.30	X° ±1°		
.XX	±0.15	.XX° ±0.5°	MAT'L	PART NO. (INTENDED USE)
XXX	±0.05		FINISH	TITLE: Micro USB 7Pin SMT Type
THESE DRAWINGS AND SPECIFICATIONS ARE THE PROPERTY OF XIE ZHAN ELECTRONIC TECHNOLOGY CO.,LTD.AND SHALL NOT BE REPRODUCED, COPIED OR USED IN ANY MANNER WITHOUT THE PRIOR WRITTEN CONSENT OF XIE ZHAN ELECTRONIC TECHNOLOGY CO., LTD				DWG NO.: Micro-USB7PIN (S6)
Q'TY				APPD: CHKD: DR: Steven.Xie 2015/05/10
				SCALE SHEET REV. 1/1 1/1 A1