

CAD GENERATED DRAWING. DON'T CHANGE BY HAND.

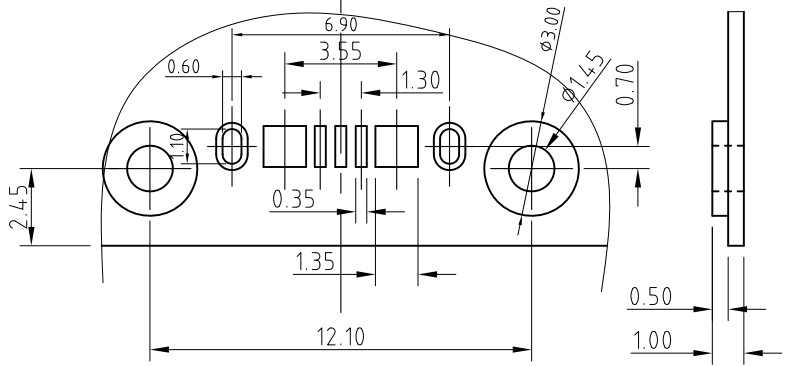
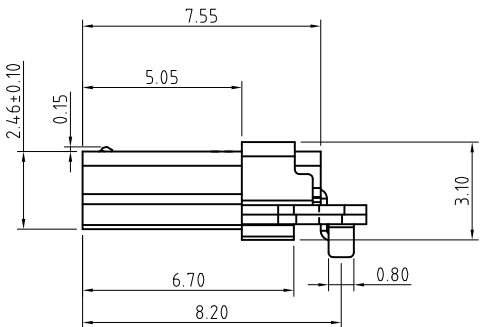
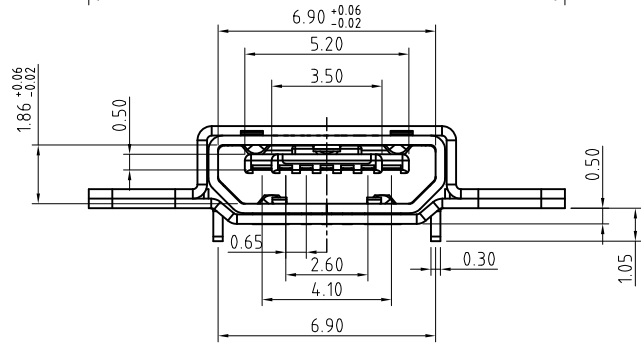
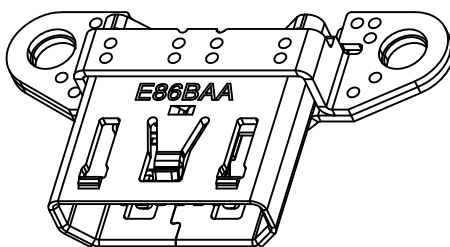
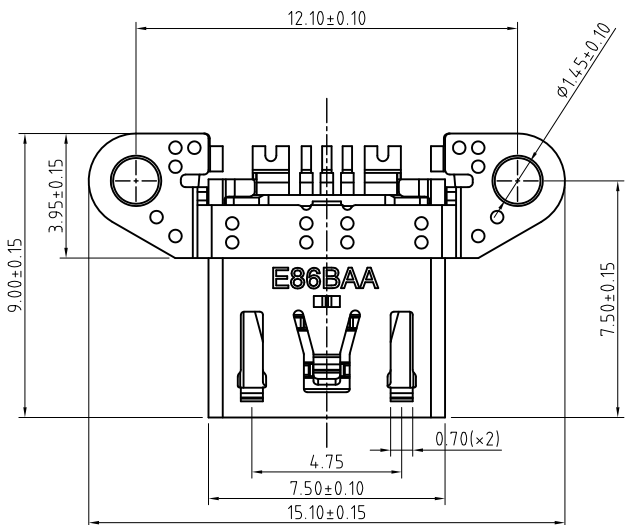
REV.	ECN. NO.	APPD.

Notes:

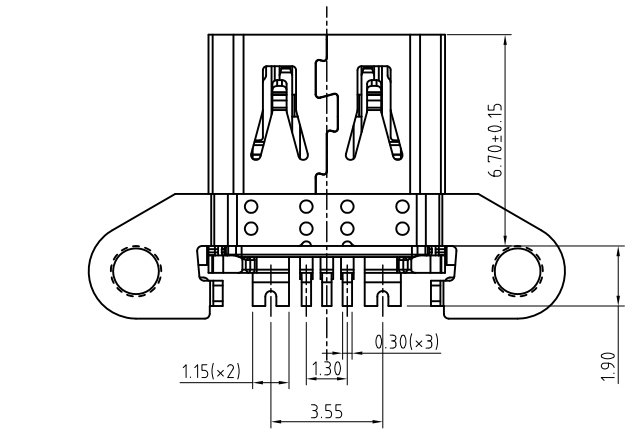
1. Dimension shall be interpreted per ASME Y14.5M1994.
2. Dimension marked  $\nabla$  &  $\blacktriangledown$  should be checked by Q.C. and process, engineers and  $\nabla$  should also check the CPK data.

Specification:

1. Current Rating: 5.0 AMP
2. Voltage Rating: 30V AC,DC
3. Dielectric Strength: 500V AC RMS for 1 minute.
4. Contact Resistance: 30 m Max.  $\Omega$
5. Insulator Resistance: 500M  $\Omega$  Min. AT 250V DC.
6. Mating/Unmating cycles: 10000cycles
7. Temperature: -20°C to +60°C



P.C.B LAYOUT



4	Spring	1	SUS Tin/Ni Plating T=0.12mm	
3	Shell	3	SUS Tin/Ni Plating T=0.30mm	
2	Contact	5	Brass C2680R-EH Au/Ni Plating T=0.20mm	
1	Housing	1	PA9T&LCP (G.F30%) Black	

ITEM	PART NAME	Q'TY	FINISH	NOTE
X.	± 0.50l	X° ± 2°	UNITS mm	协展电子科技有限公司 Xie Zhan Electronic Technology Co., Ltd
X	± 0.30	X° ± 1°		
.XX	± 0.10	.XX° ± 0.5°		
.XXX	± 0.05			
THESE DRAWINGS AND SPECIFICATIONS ARE THE PROPERTY OF XIE ZHAN ELECTRONIC TECHNOLOGY CO.,LTD.AND SHALL NOT BE REPRODUCED, COPIED OR USED IN ANY MANNER WITHOUT THE PRIOR WRITTEN CONSENT OF XIE ZHAN ELECTRONIC TECHNOLOGY CO., LTD			FINISH	APPD:
			Q'TY	DR: Steven.Xie 2020/07/10
				TITLE: Micro USB 5Pin DIP Type (B Type 5PIN 板上型有钢片带双耳)
				DWG NO.: R15 USB
				SCALE SHEET REV. 1/1 1/1 A1

由 Autodesk 教育版产品制作

由 Autodesk 教育版产品制作