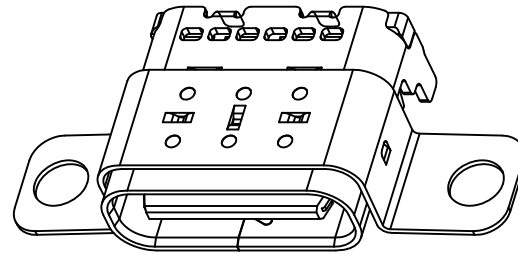
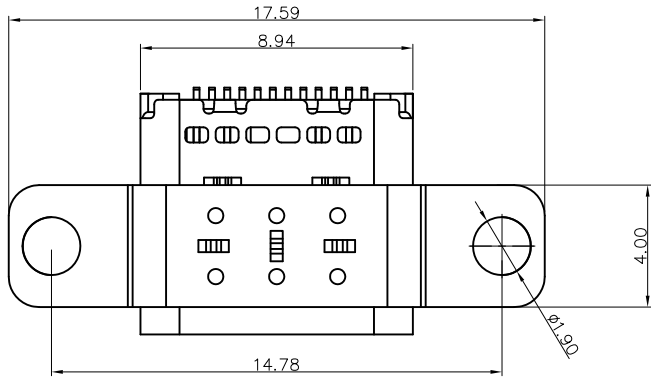


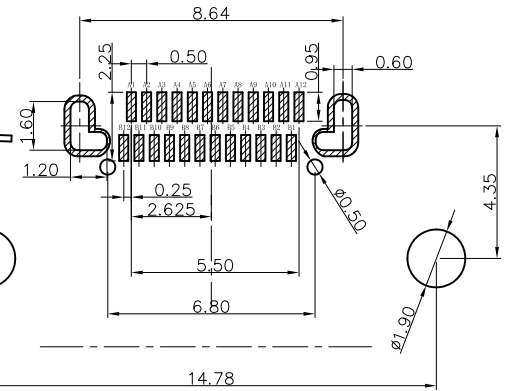
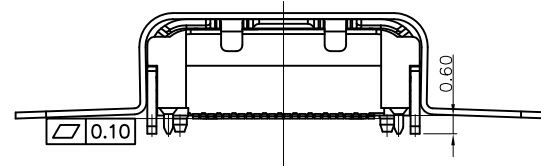
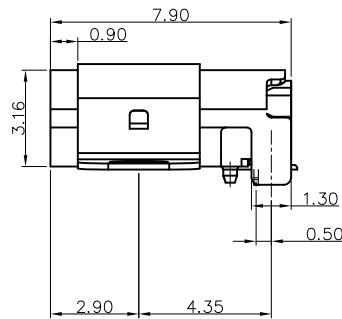
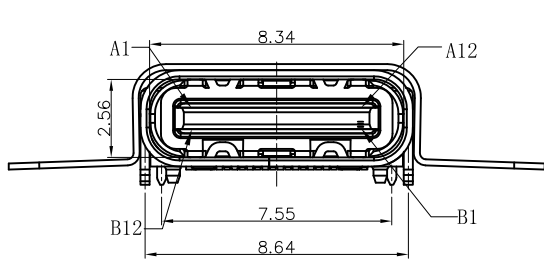
REV.	ECN NO.	DESCRIPTION	DRAW	APPD.	DATE
A	---	新版本发行			2021.04.26



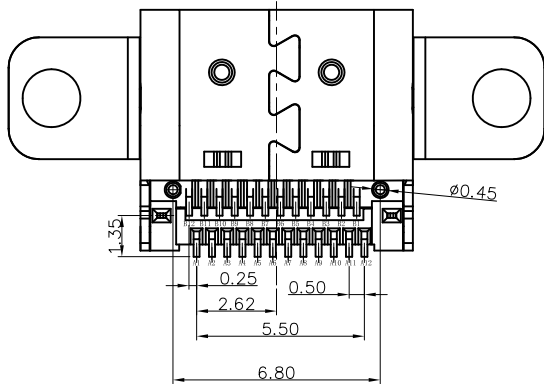
NOTES:

SPECIFICATION:

1. CURRENT RATING: 5A MAX
2. VOLTAGE: 100 VAC
3. TEMPERATURE RANGE: -30 °C ~ 85 °C
4. CONTACT RESISTANCE: 40 MILLIONHM MAX
5. INSULATION RESISTANCE: 100 MEGOHMS MIN.
6. LNSERTION FORCE : 5N~20N
7. UNMATING FORCE: 8N~20N
8. DURABILITY: 10,000 CYCLES



RECOMMENDED P.C.B. LAYOUT  
TOLERANCE UNSPECIFIED  $\pm 0.05\text{mm}$



A1	GND	B12	GND
A2	SSTXP1	B11	SSRXP1
A3	SSTXN1	B10	SSRXN1
A4	VBUS	B9	VBUS
A5	CC1	B8	SBU2
A6	DP1	B7	DN2
A7	DN1	B6	DP2
A8	SBU1	B5	CC2
A9	VBUS	B4	VBUS
A10	SSRXN2	B3	SSTXN2
A11	SSRXP2	B2	SSTXP2
A12	GND	B1	GND
PIN	SIGNAL NAME	PIN	SIGNAL NAME

5	SHELL	SUS304-1/2H	NI Plated	1PCS
4	SPRING	SUS304-1/2H		1PCS
3	SHIELDING PLATE	SUS301-1/2H	NI/SN Plated	1PCS
2	CONTACT	C7025	Au/Ni Plated	1SET
1	HOUSING	LCP E130I	BLACK	1PCS
NO.	DESCRIPTION	MATERIAL	REMARKS	QTY

TOLERANCE		NAME(INTENDED USE) CUSTOMER DRAWING	东莞市协展电子科技有限公司		
X.X $\pm 0.30$	X.* $\pm 2^*$	PART NO.	TITLE:		
.XX $\pm 0.20$	.X* $\pm 1^*$	UH0B01-031	C F 24P 双排板上SMT 带上盖CONN		
.XXX $\pm 0.10$	.XX* $\pm 0.5^*$	APPD:	DRAWG NO.		
UNITS	mm		UH0-031		
MATERILA		CHED:			
FINISH		DRAW:			
				SCALE	SHEET
			1:1	1/1	REV.
					A