

CAD GENERATED DRAWING. DON'T CHANGE BY HAND.

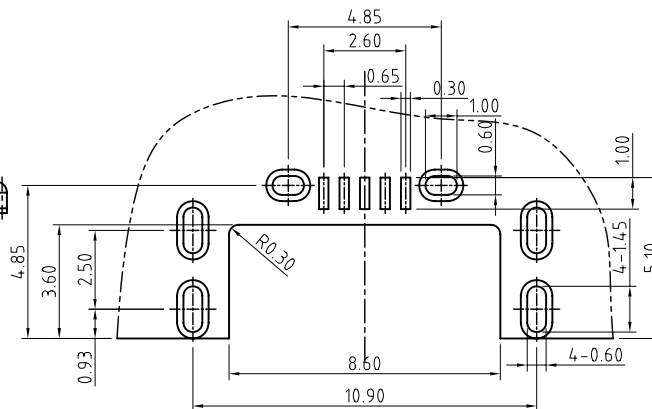
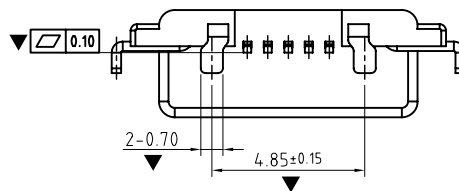
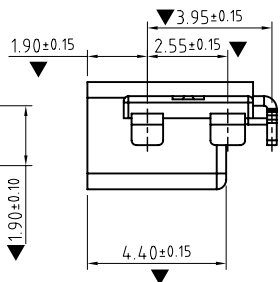
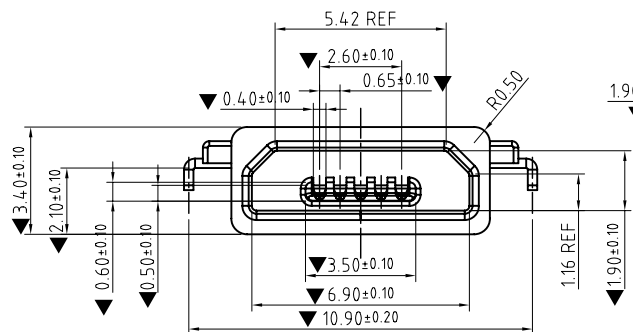
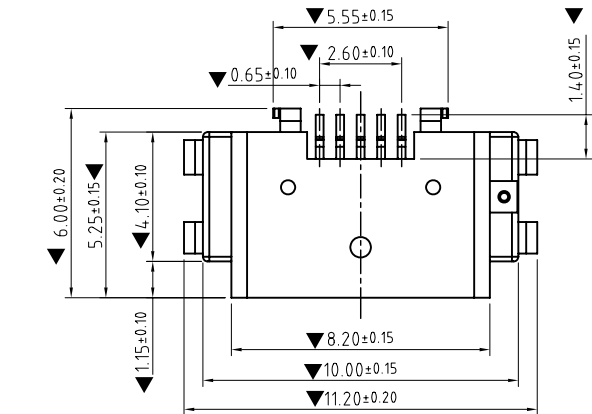
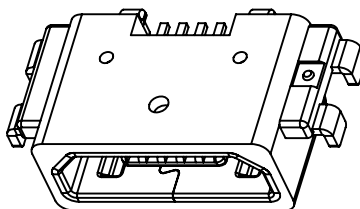
REV.	ECN. NO.	APPD.

Notes:

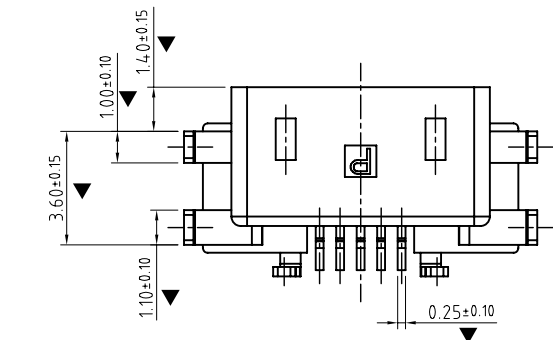
1. Dimension shall be interpreted per ASME Y14.5M1994.
2. Dimension marked  $\nabla$  &  $\blacktriangledown$  should be checked by Q.C. and process, engineers and  $\nabla$  should also check the CPK data.

Specification:

1. Current Rating: 1.0 AMP
2. Voltage Rating: 30V AC,DC
3. Dielectric Strength: 500V AC RMS for 1 minute.
4. Contact Resistance: 30 m  $\Omega$  Max.
5. Insulator Resistance: 500M  $\Omega$  Min. AT 250V DC.
6. Mating/Unmating cycles: 2000cycles
7. Temperature: -20°C to +60°C



P.C.B LAYOUT



3	Shell	1	C2680R-H Au/Ni Plating T=0.30mm
2	Contact	5	Phosphor bronze C5210R-EH Au/Ni Plating T=0.20mm
1	Housing	1	PA9T&LCP (G.F30%)

ITEM	PART NAME	Q'TY	FINISH	NOTE						
X.	± 0.50	X°	± 2°	<p><b>协展电子科技有限公司</b> Xie Zhan Electronic Technology Co., Ltd</p>						
X	± 0.30	X°	± 1°							
XX	± 0.10	XX°	± 0.5°							
XXX	± 0.05									
THESE DRAWINGS AND SPECIFICATIONS ARE THE PROPERTY OF XIE ZHAN ELECTRONIC TECHNOLOGY CO.,LTD.AND SHALL NOT BE REPRODUCED, COPIED OR USED IN ANY MANNER WITHOUT THE PRIOR WRITTEN CONSENT OF XIE ZHAN ELECTRONIC TECHNOLOGY CO., LTD			FINISH	PART NO. (INTENDED USE) TITLE: <b>Micro USB 5Pin SMT (B) Type</b> (贴片插接)						
			Q'TY							
			DR: Steven.Xie 2014/09/30							
				DWG NO.: <b>L1520(IPX6)</b>						
				<table border="1"> <tr> <th>SCALE</th> <th>SHEET</th> <th>REV.</th> </tr> <tr> <td>1/1</td> <td>1/1</td> <td>A1</td> </tr> </table>	SCALE	SHEET	REV.	1/1	1/1	A1
SCALE	SHEET	REV.								
1/1	1/1	A1								