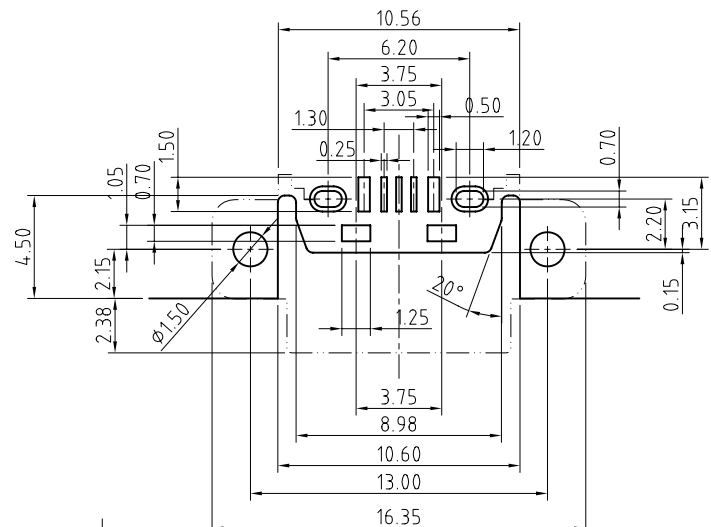
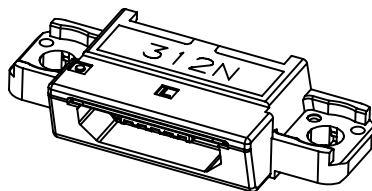
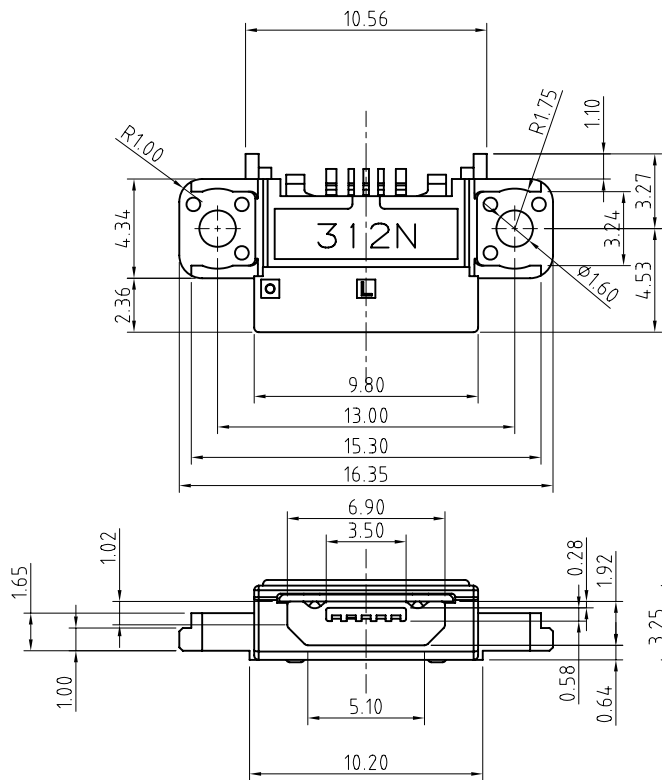
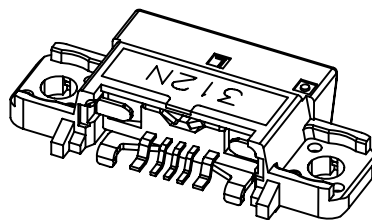
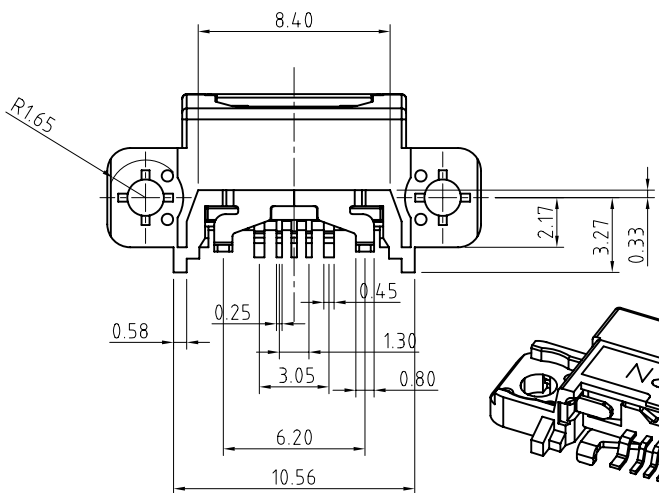
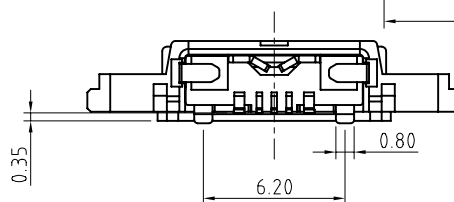
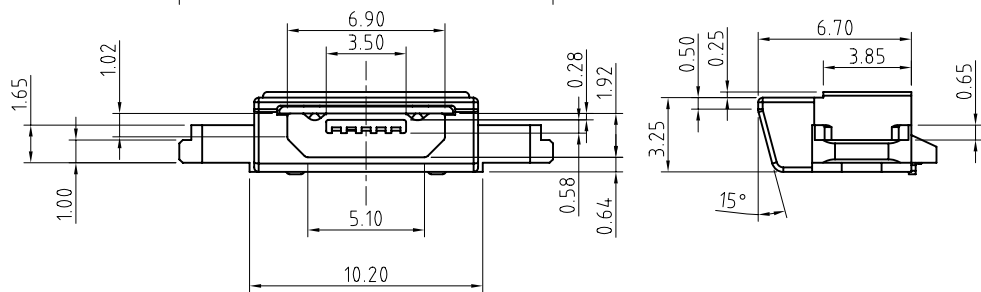


REV.	ECN NO.	DESCRIPTION	DRAW	APPD.	DATE
A1	---	新版发行	ZXM	DengMingXin	2013.05.23



RECOMMEND PCB LAYOUT(TOP VIEW)

GENERAL TOLERANCE ±0.05



- CURRENT RATING: 0.5A(2.3.4CONTACT)/1.8A(1.5CONTACT) MAX.
- VOLTAGE: 30 VAC
- TEMPERATURE RANGE: -30 °C ~ 85 °C
- CONTACT RESISTANCE: 30 MILLIONHM MAX.
- DIELECTRIC WITHSTANDING VOLTAGE: 250 VAC r.m.s
- INSULATION RESISTNACE: 100 MEGOHMS MIN

NO.	DESCRIPTION	MATERIAL	REMARKS	QTY
4	SHELL-2	STAINLESS STEEL T=0.30mm	NI Plated	1PCS
3	CONTACT	COPPER ALLOY T=0.15mm	Au/Ni Plated	1PCS
2	HOUSING	High temperature plastic	BLACK	1SET
1	SHELL-1	STAINLESS STEEL T=0.30mm	MATTE TIN/Ni Plated	1PCS

TOLERANCE		NAME(INTENDED USE) CUSTOMER DRAWING	东莞市协展电子科技有限公司		
X.X ±0.30	X.* ± 2*	PART NO.	TITLE: MICRO USB 5P SMT TYPE 防尘带锁孔(X20)		
.XX ±0.20	.X* ± 1*	APPD:	DRAWG NO.		
.XXX ±0.10	.XX* ±0.5*	CHEG:	SCALE SHEET REV.		
UNITS	mm	DRAW:	1:1	1/1	A1