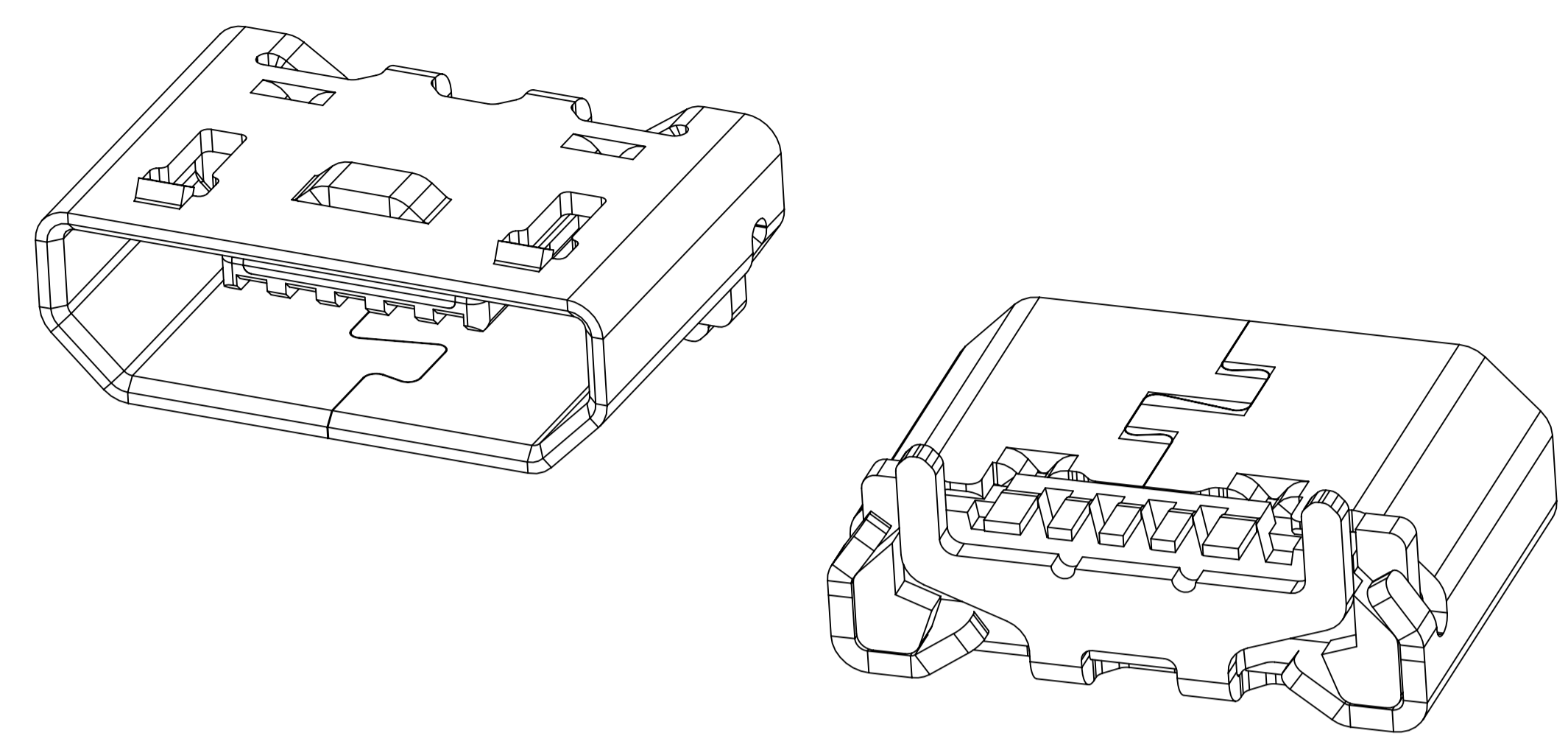
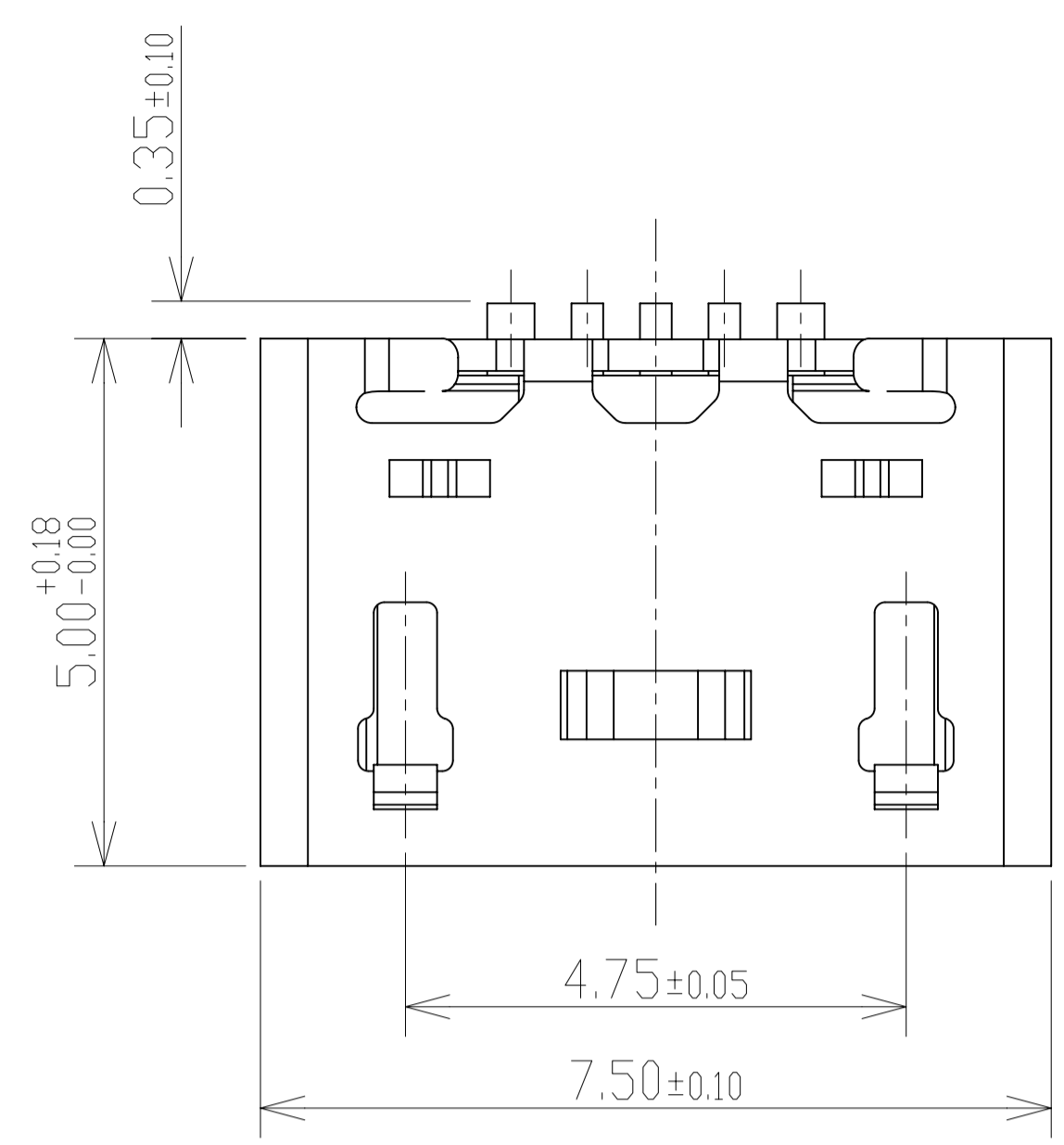


CAD GENERATED DRAWING. DON'T CHANGE BY HAND.

REV.	ECN. NO.	APPD.

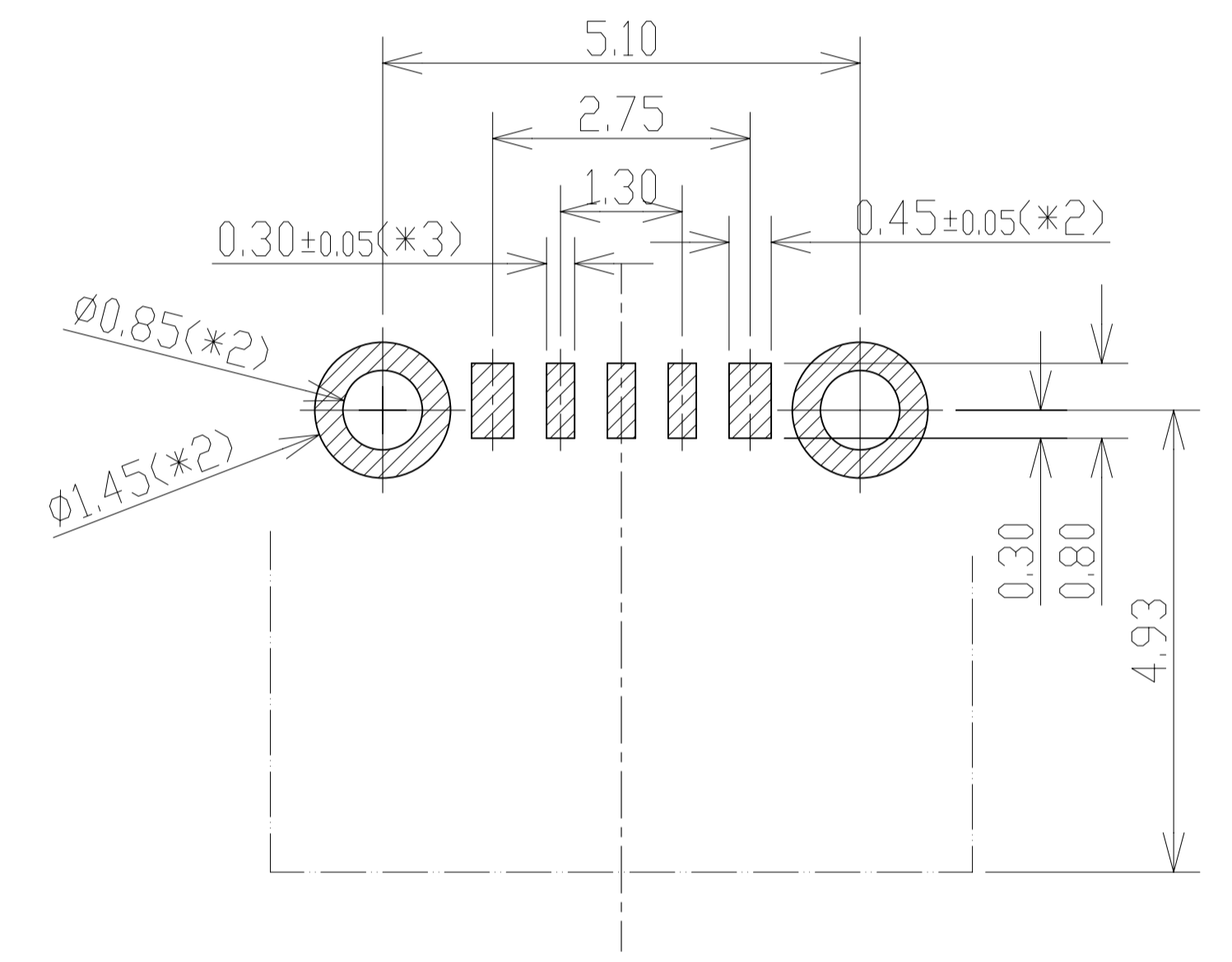
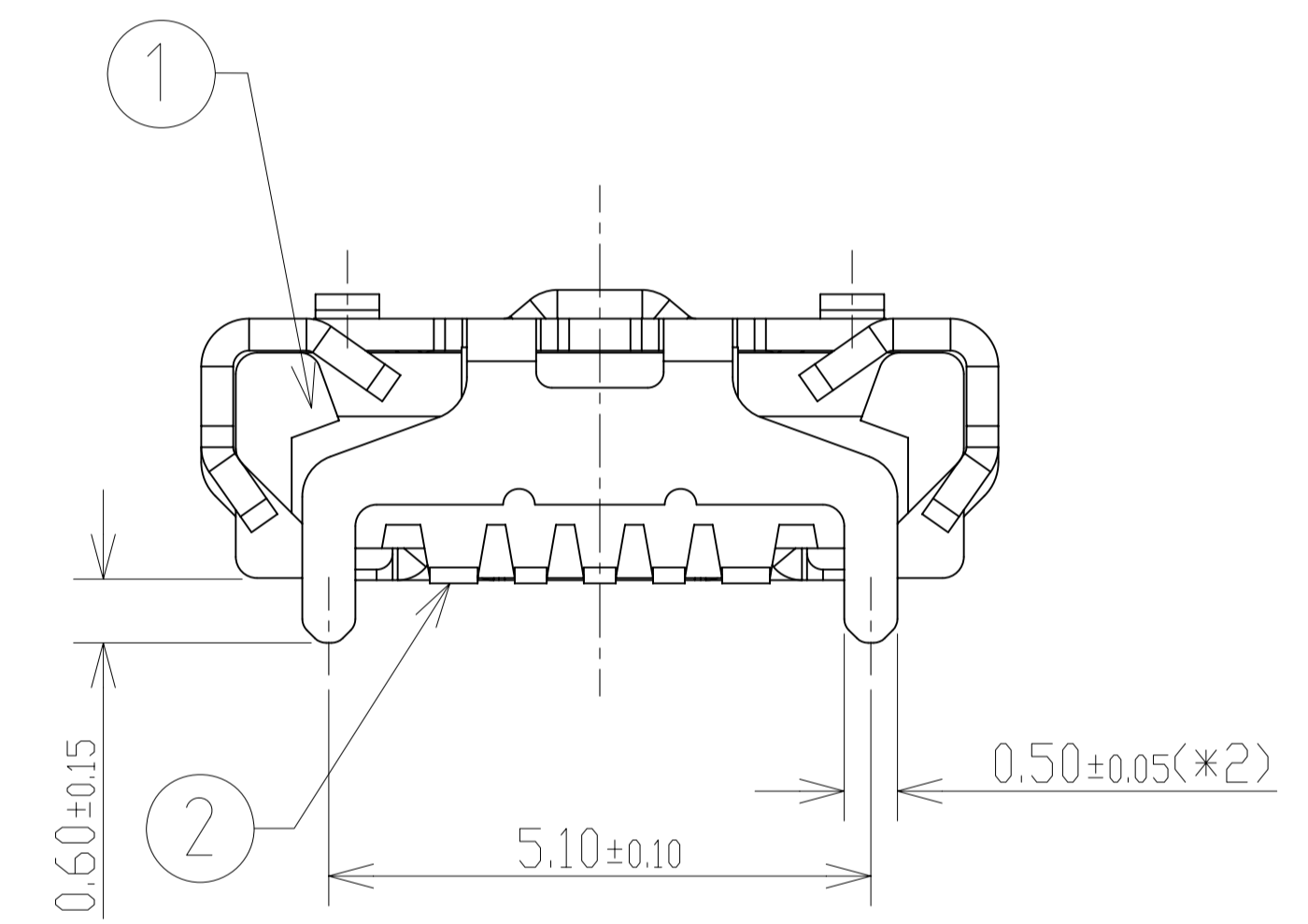
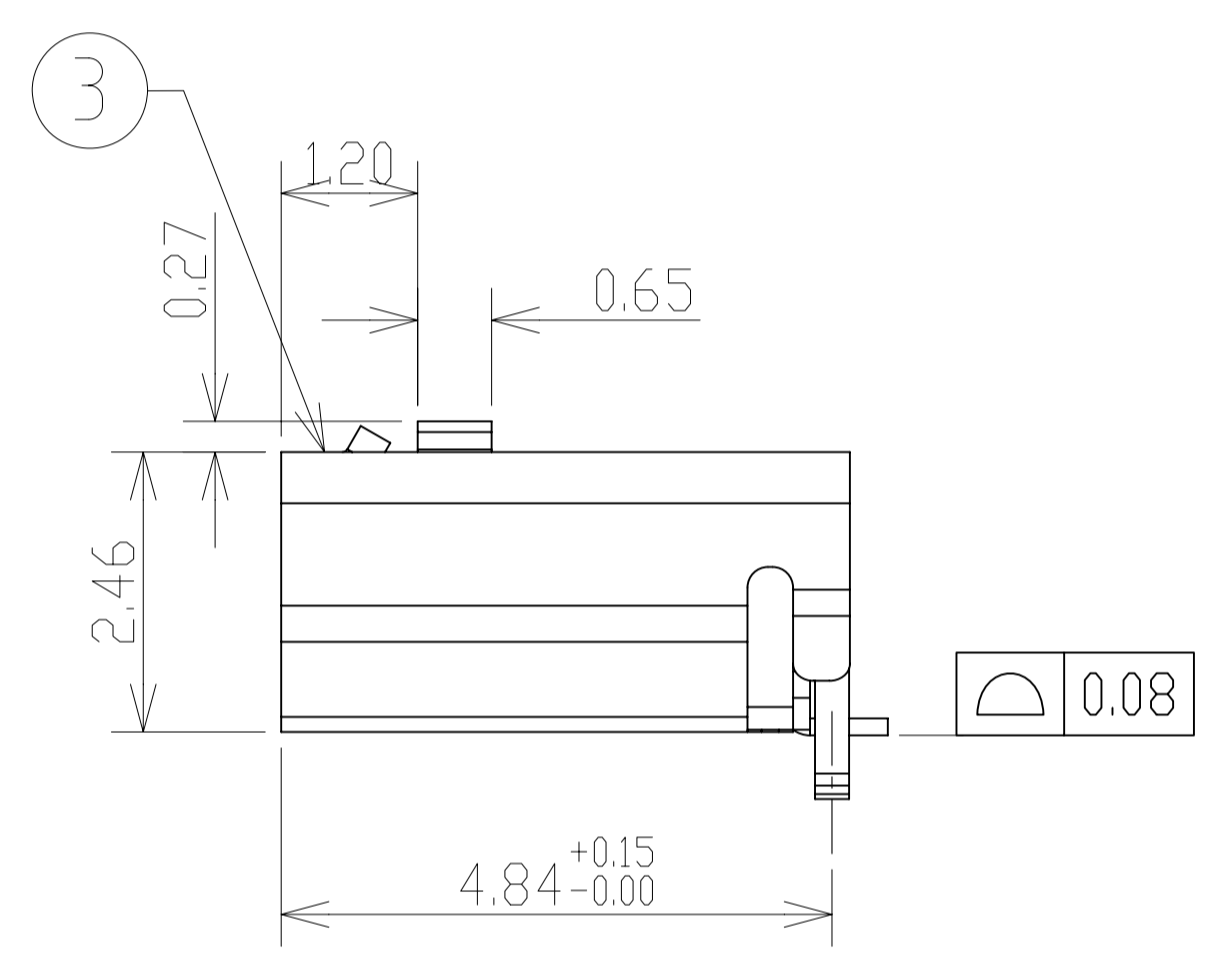
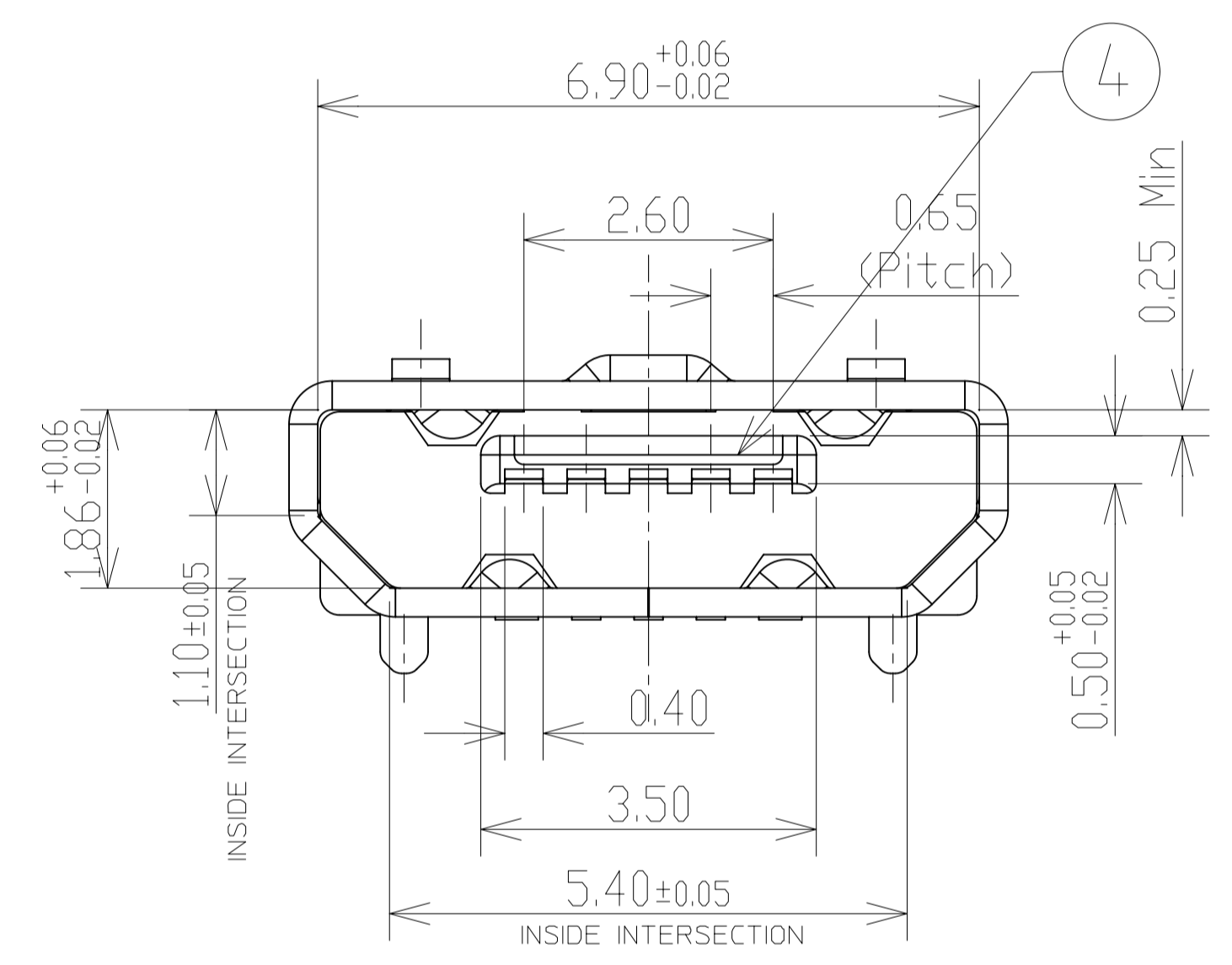


Notes:

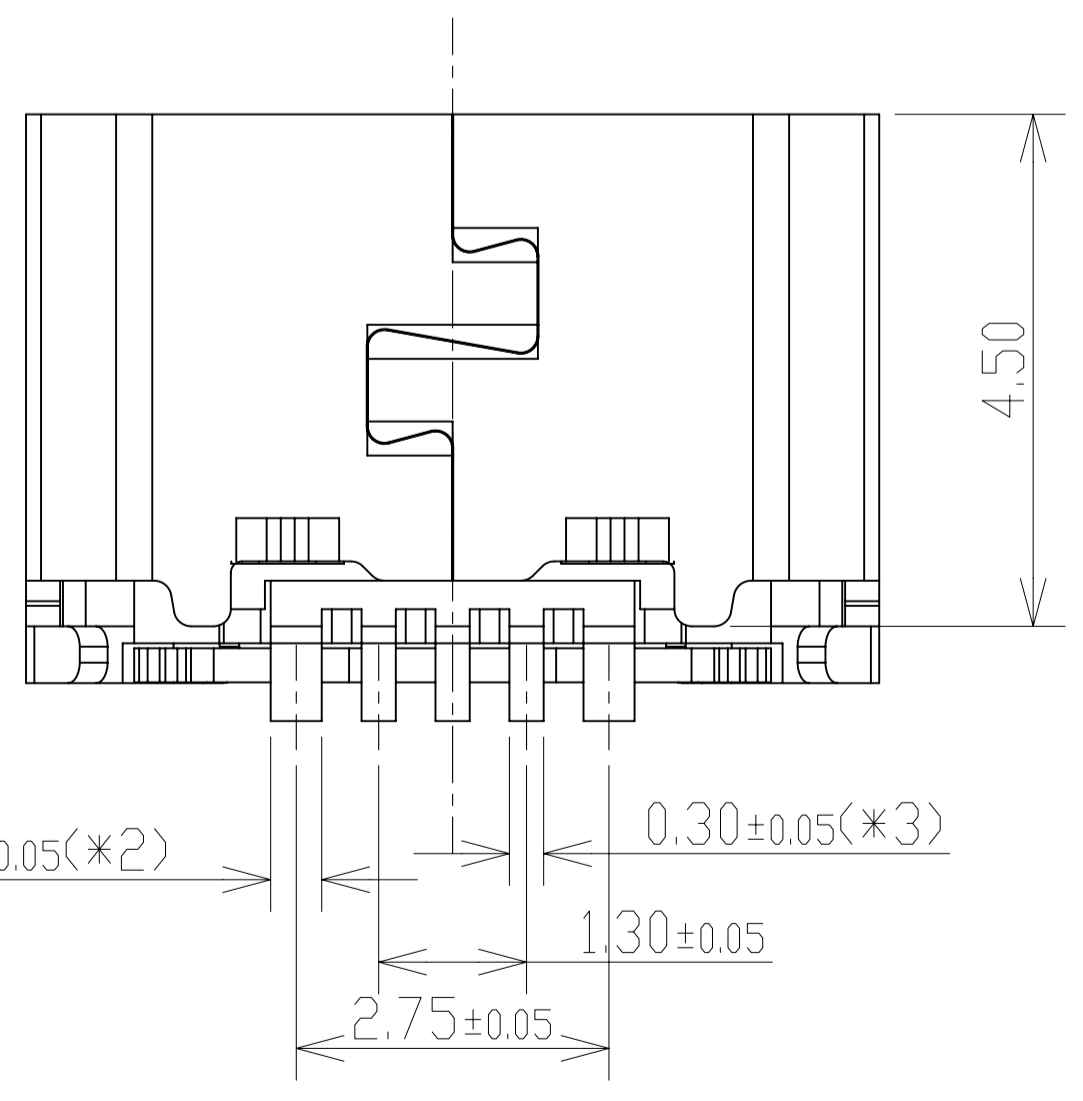
1. Dimension shall be interpreted per ASME Y14.5M1994.
2. Dimension marked ▽ & ▼ should be checked by Q.C. and process, engineers and ▽ should also check the CPK data.

Specification:

1. Current Rating: 1.0 AMP
2. Voltage Rating: 30V AC,DC
3. Dielectric Strength: 500V AC RMS for 1 minute.
4. Contact Resistance: 30 mΩ Max.
5. Insulator Resistance: 500MΩ Min. AT 250V DC.
6. Mating/Unmating cycles: 2000cycles
7. Temperature: -20°C to +60°C



P.C.B LAYOUT



4	Spring	1	SUS304 R-1/2H Tin/Ni Plating T=0.12mm	
3	Shell	1	SUS201 R-1/2H Tin/Ni Plating T=0.30mm	
2	Contact	5	C2680R-EH Au/Ni Plating T=0.15mm	
1	Housing	1	PA9T&LCP (G.F30%) Black	

ITEM	PART	NAM	Q'TY	FINISH	NOTE						
.X	±0.50	.X°	± 2°	UNITS	协展电子科技有限公司 Xie Zhan Electronic Technology Co., Ltd						
.X	±0.30	.X°	± 1°	mm							
.XX	±0.10	.XX°	± 0.5°	MAT'L	PART NO. (INTENDED USE)						
.XXX	± 0.05				TITLE: Micro USB 5Pin SMT Type (有凸台 无插脚 有钢片 牛角间距5.10 A3x款)						
<small>THESE DRAWINGS AND SPECIFICATIONS ARE THE PROPERTY OF XIE ZHAN ELECTRONIC TECHNOLOGY CO.,LTD.AND SHALL NOT BE REPRODUCED, COPIED OR USED IN ANY MANNER WITHOUT THE PRIOR WRITTEN CONSENT OF XIE ZHAN ELECTRONIC TECHNOLOGY CO., LTD</small>					DWG NO: A31						
				APPD:	<table border="1"> <tr> <td>SCALE</td> <td>SHEET</td> <td>REV.</td> </tr> <tr> <td>1/1</td> <td>1/1</td> <td>A1</td> </tr> </table>	SCALE	SHEET	REV.	1/1	1/1	A1
SCALE	SHEET	REV.									
1/1	1/1	A1									
				CHKD:							
				DR: Steven.Xie 2018/08/16							

由 Autodesk 教育版产品制作

由 Autodesk 教育版产品制作