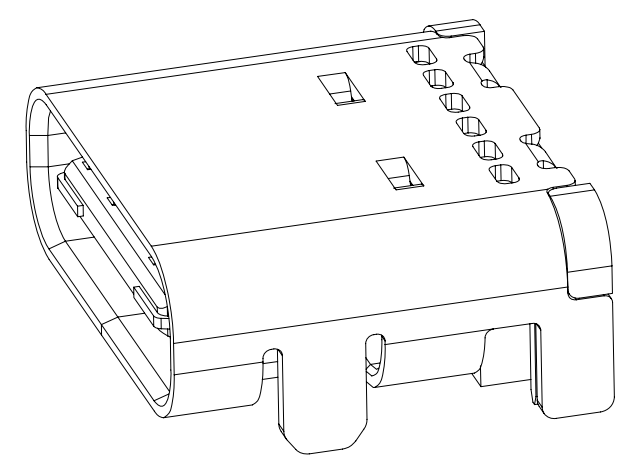
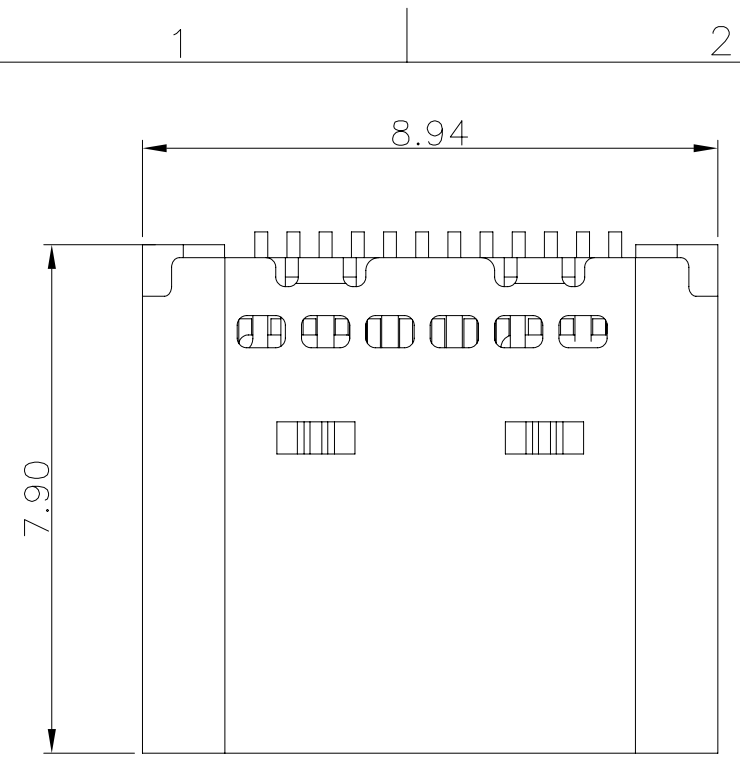
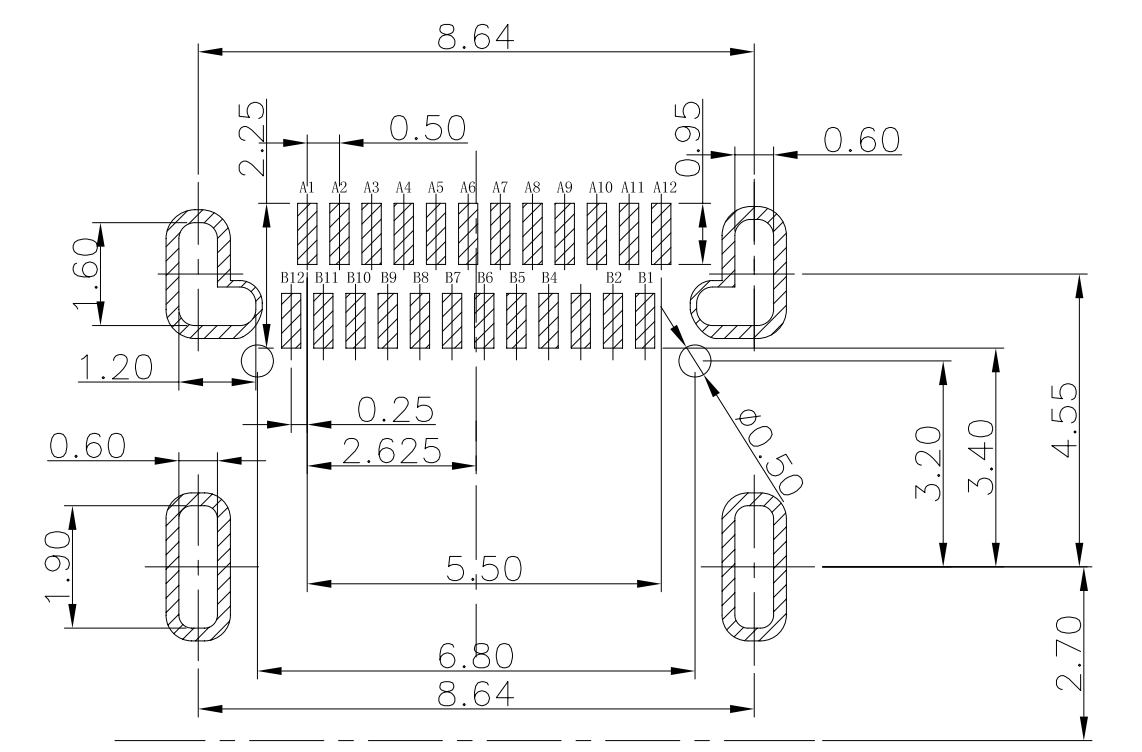
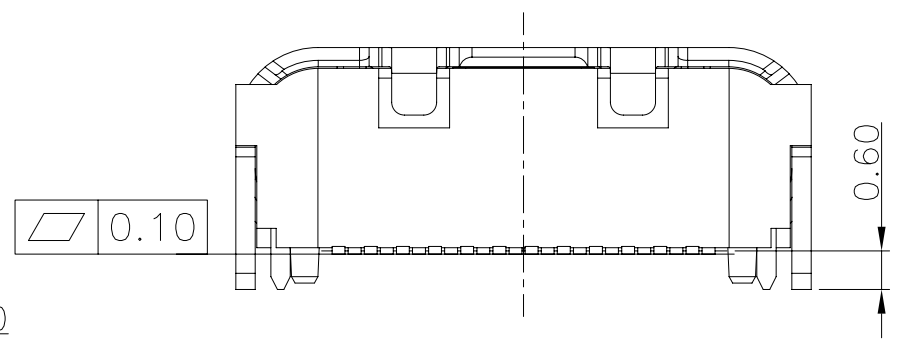
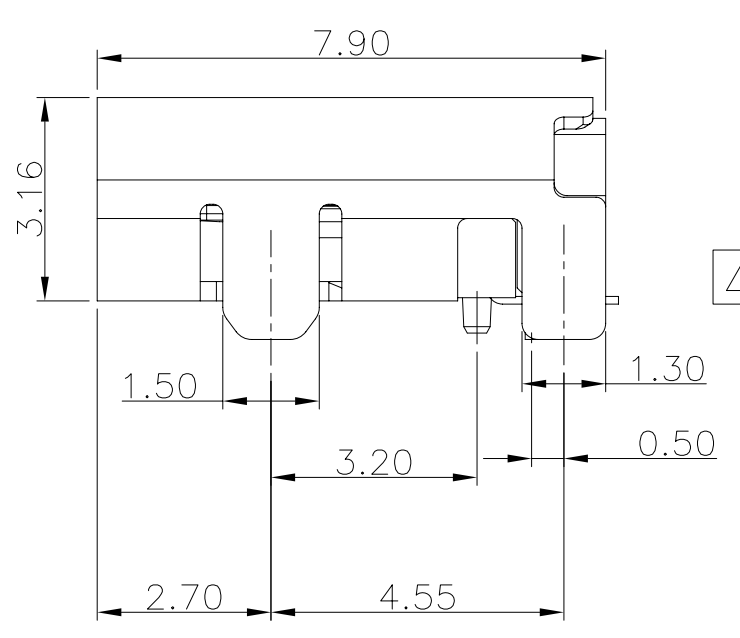
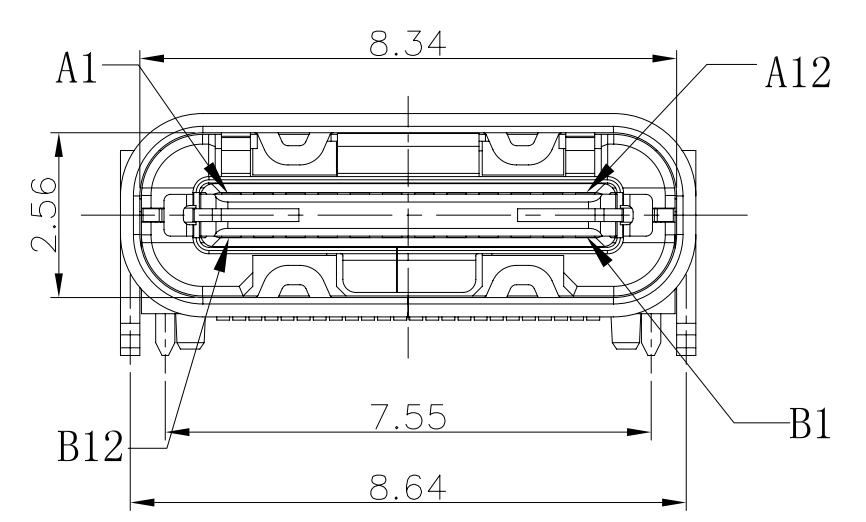


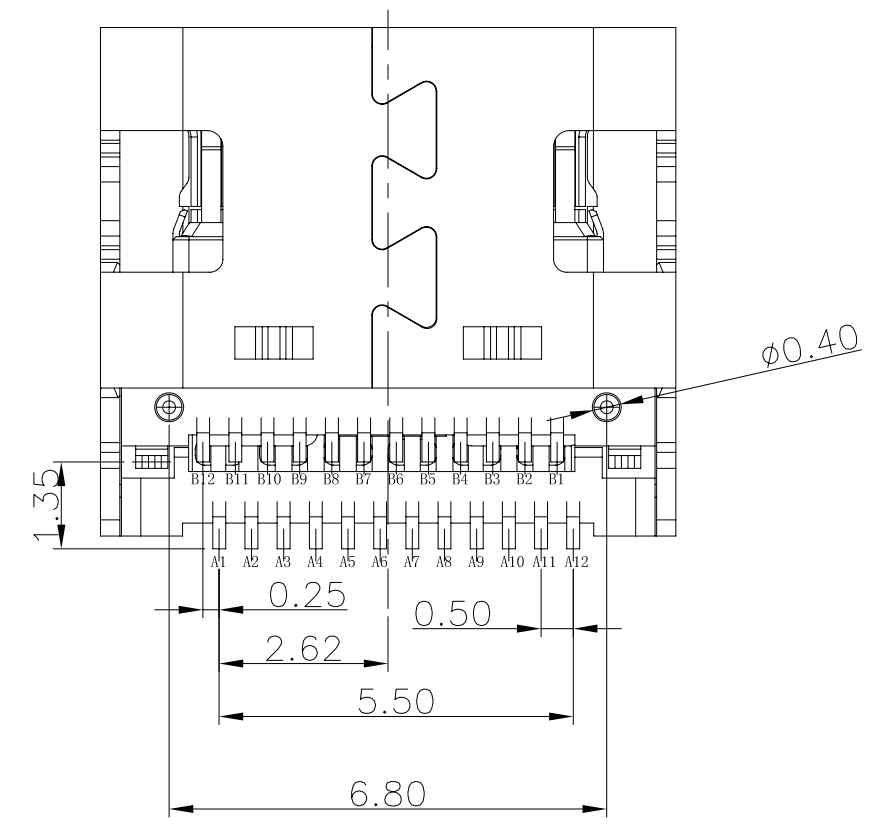
| REV. | ECN NO. | DESCRIPTION | DRAW | APPD. | DATE       |
|------|---------|-------------|------|-------|------------|
| A    | ---     | 新版本发行       | DMX  | DMX   | 2015.07.21 |
| A1   | ---     | 新增料号        | DMX  | DMX   | 2016.01.20 |



- NOTES:  
SPECIFICATION:
- CURRENT RATING: 3A MAX
  - VOLTAGE: 100 VAC
  - TEMPERATURE RANGE: -30 °C ~ 85 °C
  - CONTACT RESISTANCE: 40 MILLIONHM MAX
  - INSULATION RESISTANCE: 100 MEGOHMS MIN.
  - INSERTION FORCE : 5N~20N
  - UNMATING FORCE: 8N~20N
  - DURABILITY: 10,000 CYCLES



RECOMMENDED P.C.B. LAYOUT  
TOLERANCE UNSPECIFIED ±0.05mm



|     |             |     |             |
|-----|-------------|-----|-------------|
| A1  | GND         | B12 | GND         |
| A2  | SSTXP1      | B11 | SSRXP1      |
| A3  | SSTXN1      | B10 | SSRXN1      |
| A4  | VBUS        | B9  | VBUS        |
| A5  | CC1         | B8  | SBU2        |
| A6  | DP1         | B7  | DN2         |
| A7  | DN1         | B6  | DP2         |
| A8  | SBU1        | B5  | CC2         |
| A9  | VBUS        | B4  | VBUS        |
| A10 | SSRXN2      | B3  | SSTXN2      |
| A11 | SSRXP2      | B2  | SSTXP2      |
| A12 | GND         | B1  | GND         |
| PIN | SIGNAL NAME | PIN | SIGNAL NAME |

| 5   | SHELL           | SUS 304  | NI30U" Plated  | 1PCS |
|-----|-----------------|----------|--|------|
| 4   | SPRING          | SUS 304  |  | 1PCS |
| 3   | SHIELDING PLATE | SUS 301  | NI30u" SN80u" Plated   | 1PCS |
| 2   | CONTACT         | C18400   | CONTACT AREA: Au 3u"<br>SOLDER AREA: Sn 80u"<br>UNDER-PLATING: Ni 40u" | 1SET |
| 1   | HOUSING         | LCP S475 | BLACK  | 1PCS |
| NO. | DESCRIPTION     | MATERIAL | REMARKS  | QTY  |

|            |            |  |  |  |     |
|------------|------------|--|--|--|-----|
| TOLERANCE  |            | NAME(INTENDED USE)<br>CUSTOMER DRAWING |  | 东莞市协展电子科技有限公司                                |     |
| X.X ±0.30  | X.° ± 2°   | PART NO.                               |  |  |     |
| .XX ±0.20  | .X° ± 1°   | 014101010-014                          |  | TITLE:<br>USB C F TYPE 双排SMT 四脚插板<br>有柱 CONN |     |
| .XXX ±0.10 | .XX° ±0.5° | APPD:                                  |  | DRAWG NO. 0141-0140                          |     |
| UNITS      | mm         | CHED:                                  |  | SCALE SHEET REV.                             |     |
| MATERILA   |            | DRAW:                                  |  | 1:1  | 1/1 |
| FINISH     |            |  |  |  | A1  |