

CAD GENERATED DRAWING. DON'T CHANGE BY HAND.

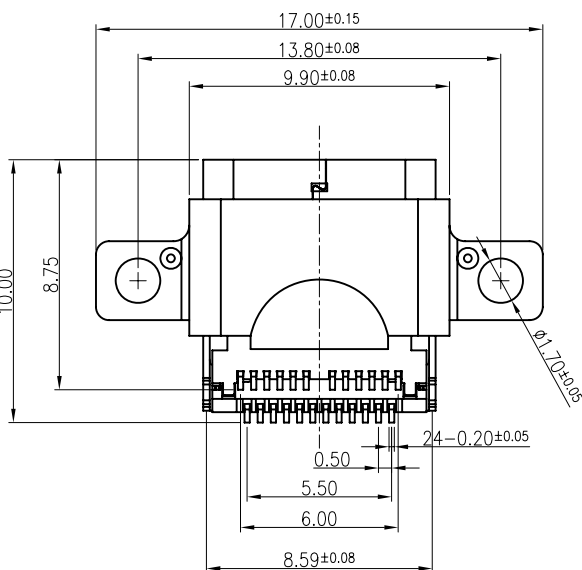
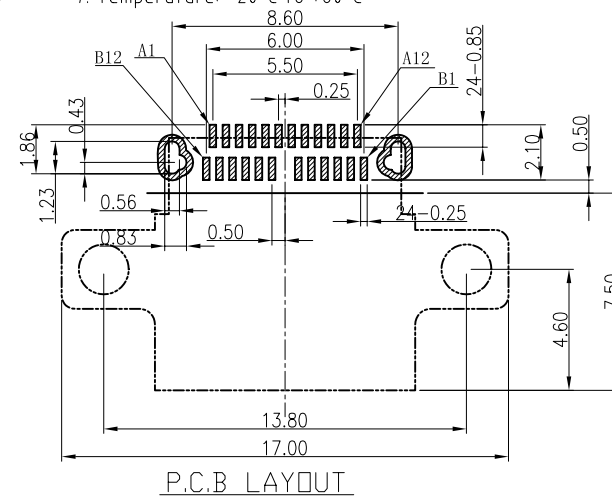
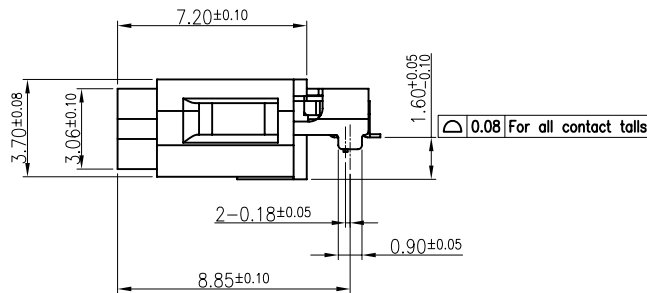
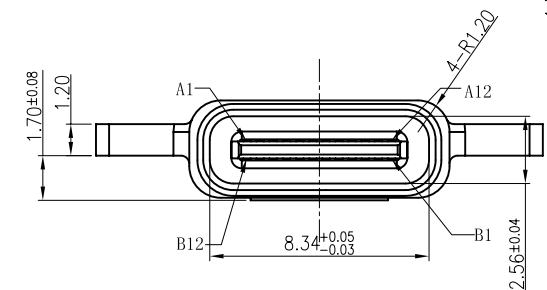
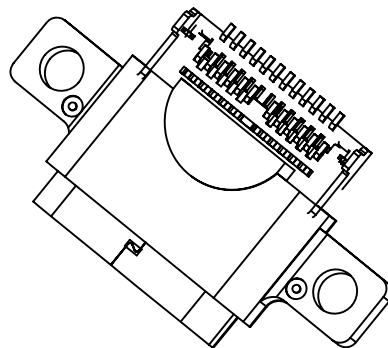
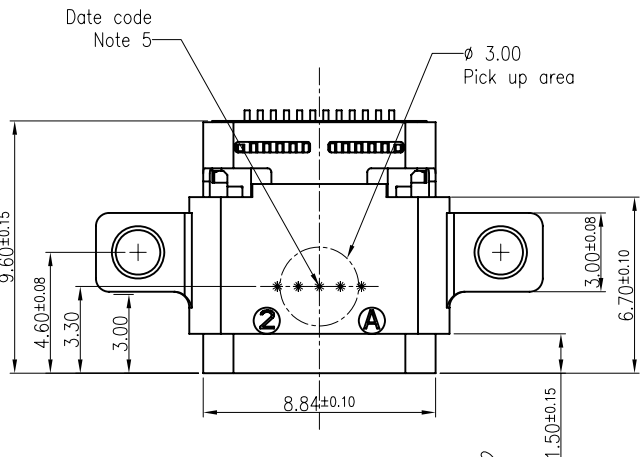
REV.	ECN. NO.	APPD.

Notes:

1. Dimension shall be interpreted per ASME Y14.5M1994.
2. Dimension marked  $\nabla$  &  $\blacktriangledown$  should be checked by Q.C. and process, engineers and  $\nabla$  should also check the CPK data.

Specification:

1. Current Rating: 5.0 AMP
2. Voltage Rating: 30V AC,DC
3. Dielectric Strength: 500V AC RMS for 1 minute.
4. Contact Resistance: 30 m $\Omega$  Max.
5. Insulator Resistance: 500M  $\Omega$  Min. AT 250V DC.
6. Mating/Unmating cycles: 10000cycles
7. Temperature: -20°C to +60°C



A1	GND	B12	GND
A2	SSTXP1	B11	SSRXP1
A3	SSTXN1	B10	SSRXN1
A4	VBUS	B9	VBUS
A5	CC1	B8	SBU2
A6	DP1	B7	DN2
A7	DN1	B6	DP2
A8	SBU1	B5	CC2
A9	VBUS	B4	VBUS
A10	SSRXN2	B3	SSTXN2
A11	SSRXP2	B2	SSTXP2
A12	GND	B1	GND
PIN	SIGNAL NAME	PIN	SIGNAL NAME

5	SHELL	STAINLESS STEEL	Ni/SN Plated	1PCS
4	SPRING	STAINLESS STEEL	—	1PCS
3	SHIELDING PLATE	STAINLESS STEEL	Ni Plated	1PCS
2	CONTACT	COPPER ALLOY	Au/Ni Plated	1SET
1	HOUSING	HIGH TEMPERATURE PLASTIC	BLACK	1PCS
NO.	DESCRIPTION	MATERIAL	REMARKS	QTY

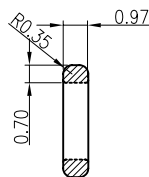
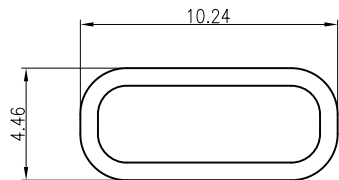
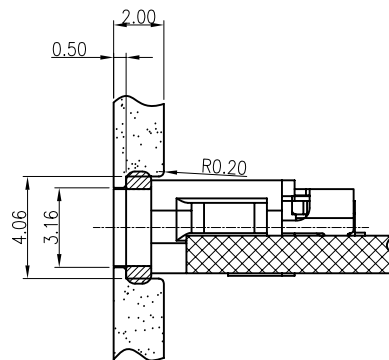
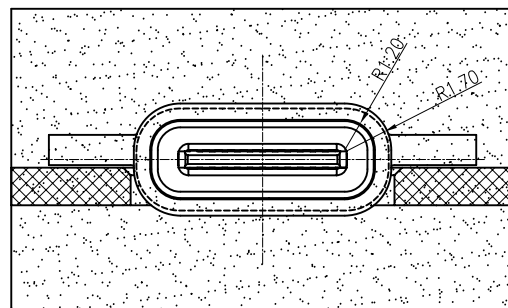
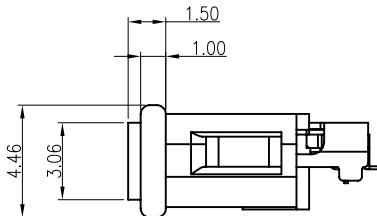
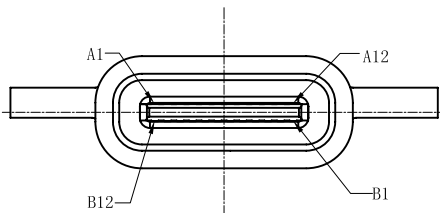
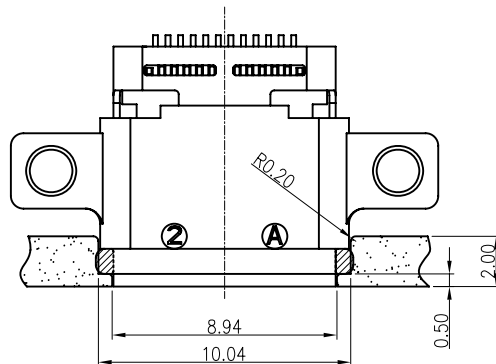
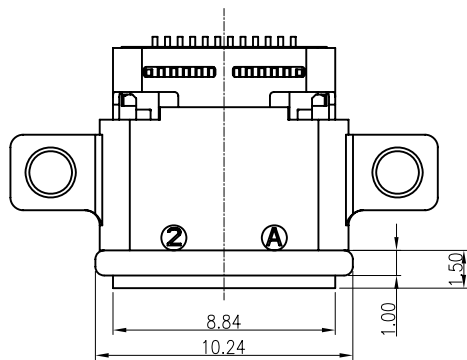
X.	± 0.50	X.*	± 2°	UNITS mm	<p>协展电子科技有限公司 Xie Zhan Electronic Technology Co., Ltd</p>			
.X	± 0.30	.X*	± 1°					
.XX	± 0.10	.XX*	± 0.5°	MAT'L	PART NO. (INTENDED USE)			
.XXX	± 0.05							
THESE DRAWINGS AND SPECIFICATIONS ARE THE PROPERTY OF XIE ZHAN ELECTRONIC TECHNOLOGY CO.,LTD.AND SHALL NOT BE REPRODUCED, COPIED OR USED IN ANY MANNER WITHOUT THE PRIOR WRITTEN CONSENT OF XIE ZHAN ELECTRONIC TECHNOLOGY CO., LTD				FINISH	APPD:	TITLE: TYPE C USB 24Pin SMT (4.6mm Type C USB)		
							Q'TY	CHKD:
				DR: Steven.Xie 2018/09/07		SCALE		
						1/1	1/1	A1


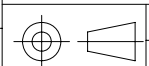
由 Autodesk 教育版产品制作

由 Autodesk 教育版产品制作

CAD GENERATED DRAWING. DON'T CHANGE BY HAND.

REV.	ECN. NO.	APPD.



X. ± 0.50	X° ± 2°	UNITS	 <b>协展电子科技有限公司</b> Xie Zhan Electronic Technology Co., Ltd	PART NO. (INTENDED USE)	TITLE: TYPE C USB 24Pin SMT (2.6mm Type C USB)
.X ± 0.30	.X° ± 1°	mm			
.XX ± 0.10	.XX° ± 0.5°	MAT'L	APPD:	CHKD:	DWG NO:  M15-M
.XXX ± 0.05		FINISH			
THESE DRAWINGS AND SPECIFICATIONS ARE THE PROPERTY OF XIE ZHAN ELECTRONIC TECHNOLOGY CO.,LTD.AND SHALL NOT BE REPRODUCED, COPIED OR USED IN ANY MANNER WITHOUT THE PRIOR WRITTEN CONSENT OF XIE ZHAN ELECTRONIC TECHNOLOGY CO., LTD			Q'TY	DR: Steven.Xie 2018/09/07	 SCALE SHEET REV. 1/1 1/1 A1

由 Autodesk 教育版产品制作

由 Autodesk 教育版产品制作