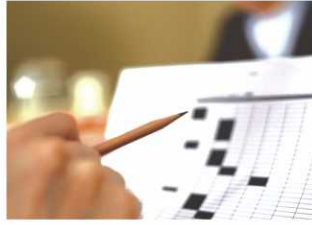


服务客户 提高客户满意度
Serving customers and improving customer satisfaction



恒洁利(南通)设备制造有限公司
HJL (Nangtong) Equipment manufacturing Co., Ltd.



勇敢而来
TO BE BRAVE

Company introduction 公司介绍

恒洁利于2021年5月18日在新兴发展城市海门成立。公司主营业务：研发、生产、销售“高洁净 Hygienic”流体设备和相关部件，包括卫生级泵阀机加工连接件和管件等，主要服务于生物制药、饮料乳品和食品行业。产品执行标准为ISO、3A、ASME BPE等国内、国际食品、药品生产设备的产品标准。The company HJL was established on May 18, 2021, located in the emerging development city Haiman. The main business is: Researching & developing, manufacturing and selling the hygienic fluid equipment and its related parts, including the sanitary pump, valve, the machined connections and tubular fittings with stainless steel materials. The application of products are mainly to the chemical pharmaceutical, bio-pharmaceutical, drinking, dairy and food industries. The standard of products are mainly with ISO, 3-A and ASME BPE.

为确保向客户交付的产品，能够达到高质量水准，公司投资了先进的生产设备、质量检验设备和仪器；在工艺方面，公司着力提升加工精度、焊接技术、表面处理技术等。当前交付的产品质量已经获得很

多国内外客户认可。To ensure that the products delivered to the customer with high quality level, the company invested a lot of advanced machines, testing equipment and instruments; in terms of technology, the company is developing the machining, welding and surface treatment technologies. The quality of products has been recognized by the many customers local in mainland and abroad.

服务客户，提高客户满意度，是公司全体员工的共同信念。It is the common belief of company employees that we provide the good service to customer and improve customer satisfaction, always!

公司秉持发展、培养和支持的人才理念，引进优秀的研发、生产和销售服务方面的人才，为所有员工提供一个开放、成长和发展的广阔空间和平台。Companies adhere to the policy of talent that all the employees will have chance of training and development when people join us. We are welcome all the excellent talents from R&D, manufacturing and sales, to develop the business and personal career, together!

与您共进
TO BE WITH YOU





More products are coming..... 精彩继续

ASME BPE系列

产品尺寸 (Size, mm)

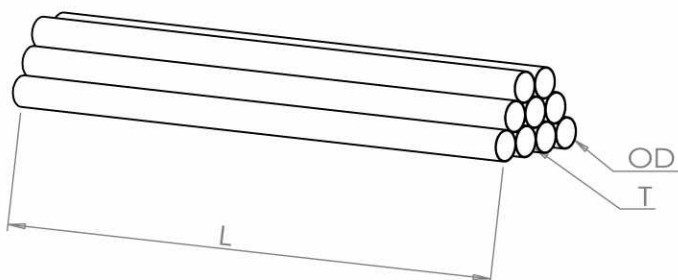
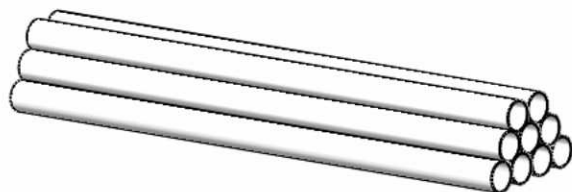
	1/4"	3/8"	1/2"	3/4"	1"	1.5"	2"	2.5"	3"	4"
OD	6.35	9.53	12.70	19.05	25.40	38.10	50.80	63.50	76.20	101.60
Wall	0.89	0.89	1.65	1.65	1.65	1.65	1.65	1.65	1.65	2.11

材质 (Compositions WT, %)

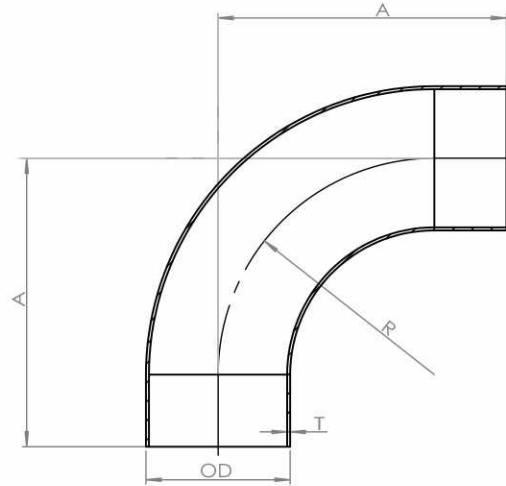
	C	Mn	N	Cr	Ni	Mo	S
S31603/316L	0.030	2.00	0.10	16.0-18.0	10.0-14.0	2.0-3.0	0.005-0.017
EN1.4404	0.030	2.00	0.10	16.5-18.5	10.0-14.5	2.0-2.5	0.005-0.017

抛光等级 (Finish Grade)

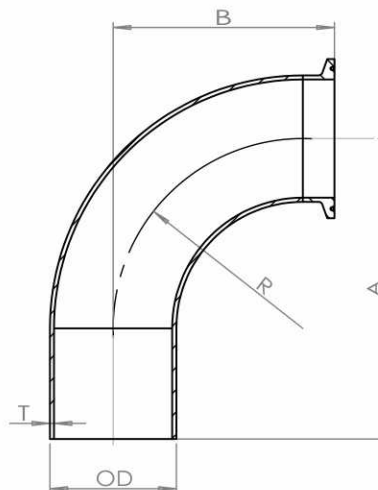
产品内表 Ra max			
		μin	μm
机抛抛光	SF0	未抛光	未抛光
	SF1	20	0.51
	SF2	25	0.64
	SF3	30	0.76
电化学抛光	SF4	15	0.38
	SF5	20	0.51
	SF6	25	0.64


卫生级不锈钢钢管 Tube

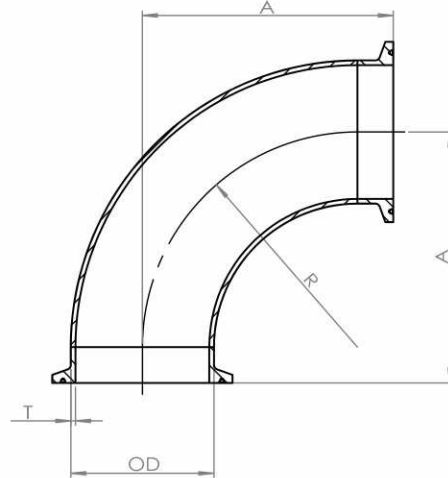
SIZE	SF1 Ra≤0.5	SF4 Ra≤0.375	OD (mm)	T (mm)	L (mm)
1/4"	799906001204	799906002204	6.35	0.89	6000
3/8"	799909001204	799909002204	9.53	0.89	6000
1/2"	799912001204	799912002204	12.7	1.65	6000
3/4"	799919001204	799919002204	19.05	1.65	6000
1"	799925001204	799925002204	25.4	1.65	6000
1 1/2"	799938001204	799938002204	38.1	1.65	6000
2"	799950001204	799950002204	50.8	1.65	6000
2 1/2"	799630001204	799630002204	63.5	1.65	6000
3"	799976001204	799976002204	76.2	1.65	6000
4"	799901001204	799901002204	101.6	2.11	6000


90° 长焊弯头 Automatic Weld: 90° Elbow

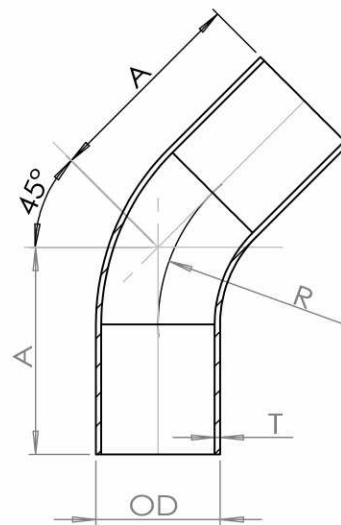
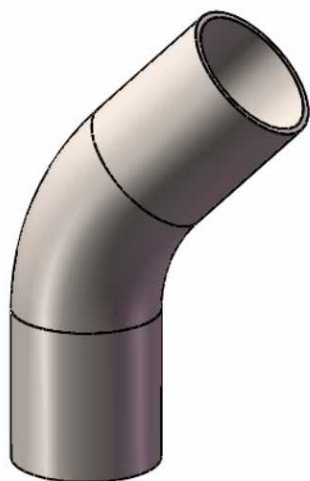
SIZE	SF1 Ra≤0.5	SF4 Ra≤0.375	ODxT (mm)	R (mm)	A (mm)
1/4"	790106001204	790106002204	6.35x0.89	28.58	66.68
3/8"	790109001204	790109002204	9.53x0.89	28.58	66.68
1/2"	790112001204	790112002204	12.7x1.65	28.58	76.20
3/4"	790119001204	790119002204	19.05x1.65	28.58	76.20
1"	790125001204	790125002204	25.4x1.65	38.10	76.20
1 1/2"	790138001204	790138002204	38.1x1.65	57.15	95.25
2"	790150001204	790150002204	50.8x1.65	76.20	120.65
2 1/2"	790163001204	790163002204	63.5x1.65	95.25	139.70
3"	790176001204	790176002204	76.2x1.65	114.30	158.75
4"	790101001204	790101002204	101.6x2.11	152.40	203.20


90° 单卡弯头 Automatic Weld: Clamp Joint, 90° Elbow

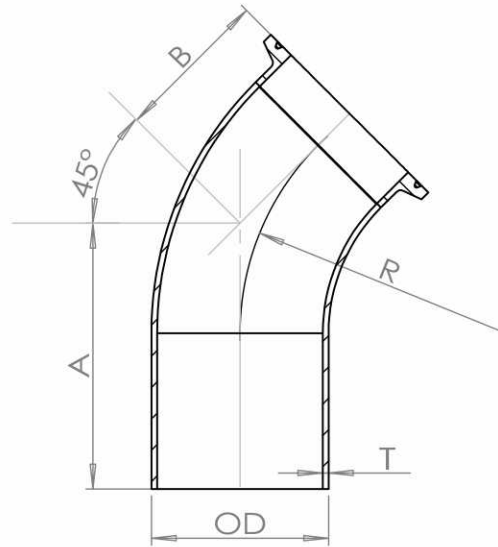
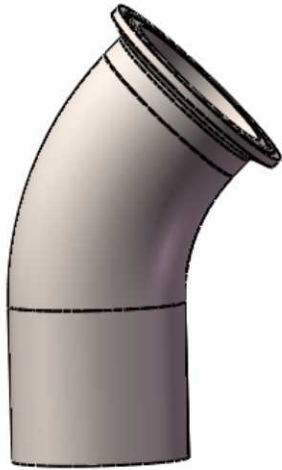
SIZE	SF1 Ra≤0.5	SF4 Ra≤0.375	ODxT (mm)	R (mm)	A (mm)	B (mm)
1/4"	790306001204	790306002204	6.35x0.89	14.30	66.68	41.28
3/8"	790309001204	790309002204	9.53x0.89	28.58	66.68	41.28
1/2"	790312001204	790312002204	12.7x1.65	28.58	76.20	41.28
3/4"	790319001204	790319002204	19.05x1.65	28.58	76.20	41.28
1"	790325001204	790325002204	25.4x1.65	38.10	76.20	50.80
1 1/2"	790338001204	790338002204	38.1x1.65	57.15	95.25	69.85
2"	790350001204	790350002204	50.8x1.65	76.20	120.65	88.90
2 1/2"	790363001204	790363002204	63.5x1.65	95.25	139.70	107.95
3"	790376001204	790376002204	76.2x1.65	114.30	158.75	127.00
4"	790301001204	790301002204	101.6x2.11	152.40	203.20	168.28


90° 卡式弯头 Clamp Joint: 90° Elbow

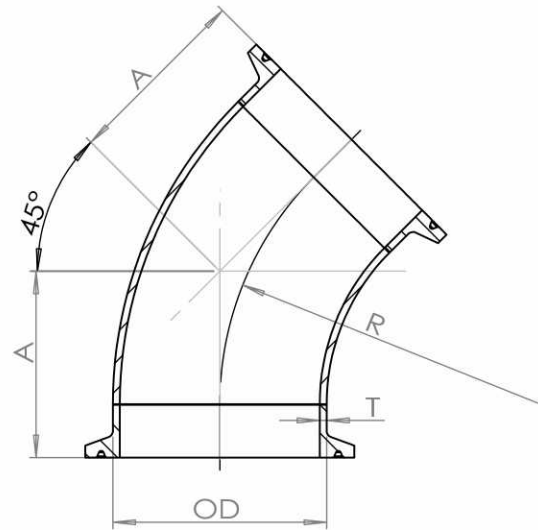
SIZE	SF1 Ra≤0.5	SF4 Ra≤0.375	ODxT (mm)	R (mm)	A (mm)
1/4"	790406001204	790406002204	6.35x0.89	14.30	41.28
3/8"	790409001204	790409002204	9.53x0.89	28.58	41.28
1/2"	790412001204	790412002204	12.7x1.65	28.58	41.28
3/4"	790419001204	790419002204	19.05x1.65	28.58	41.28
1"	790425001204	790425002204	25.4x1.65	38.10	50.80
1 1/2"	790438001204	790438002204	38.1x1.65	57.15	69.85
2"	790450001204	790450002204	50.8x1.65	76.20	88.90
2 1/2"	790463001204	790463002204	63.5x1.65	95.25	107.95
3"	790476001204	790476002204	76.2x1.65	114.30	127.00
4"	790401001204	790401002204	101.6x2.11	152.40	168.28


45° 长焊弯头 Automatic Weld: 45° Elbow

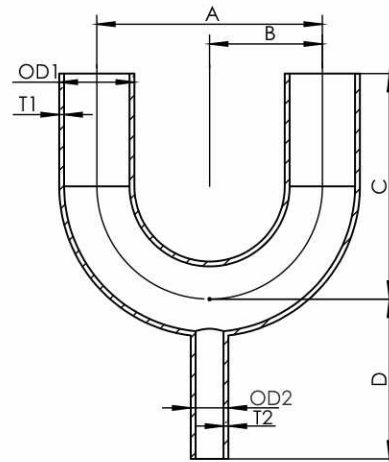
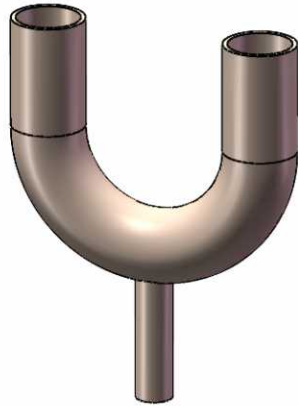
SIZE	SF1 Ra≤0.5	SF4 Ra≤0.375	ODxT (mm)	R (mm)	A (mm)
1/4"	790506001204	790506002204	6.35x0.89	14.30	50.18
3/8"	790509001204	790509002204	9.53x0.89	28.58	50.18
1/2"	790512001204	790512002204	12.7x1.65	28.58	57.15
3/4"	790519001204	790519002204	19.05x1.65	28.58	57.15
1"	790525001204	790525002204	25.4x1.65	38.10	57.15
1 1/2"	790538001204	790538002204	38.1x1.65	57.15	63.50
2"	790550001204	790550002204	50.8x1.65	76.20	76.20
2 1/2"	790563001204	790563002204	63.5x1.65	95.25	85.73
3"	790576001204	790576002204	76.2x1.65	114.30	92.08
4"	790501001204	790501002204	101.6x2.11	152.40	114.30


45° 单卡弯头 Automatic Weld: Clamp Joint, 45° Elbow

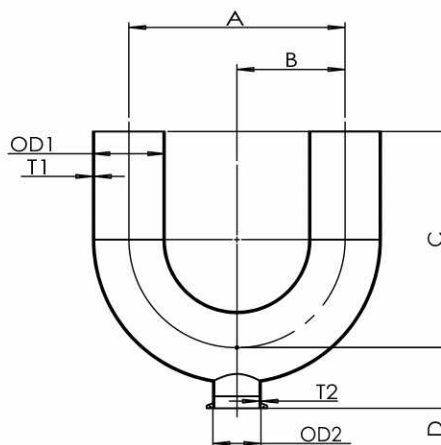
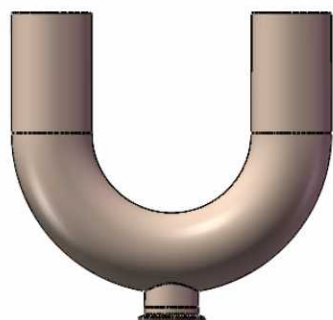
SIZE	SF1 Ra≤0.5	SF4 Ra≤0.375	ODxT (mm)	R (mm)	A (mm)	B (mm)
1/4"	790706001204	790706002204	6.35x0.89	14.30	50.18	25.40
3/8"	790709001204	790709002204	9.53x0.89	28.58	50.18	25.40
1/2"	790712001204	790712002204	12.7x1.65	28.58	57.15	25.40
3/4"	790719001204	790719002204	19.05x1.65	28.58	57.15	25.40
1"	790725001204	790725002204	25.4x1.65	38.10	57.15	28.58
1 1/2"	790738001204	790738002204	38.1x1.65	57.15	63.50	36.53
2"	790750001204	790750002204	50.8x1.65	76.20	76.20	44.45
2 1/2"	790763001204	790763002204	63.5x1.65	95.25	85.73	52.40
3"	790776001204	790776002204	76.2x1.65	114.30	92.08	60.33
4"	790701001204	790701002204	101.6x2.11	152.40	114.30	79.38


45° 卡式弯头 Clamp Joint: 45° Elbow

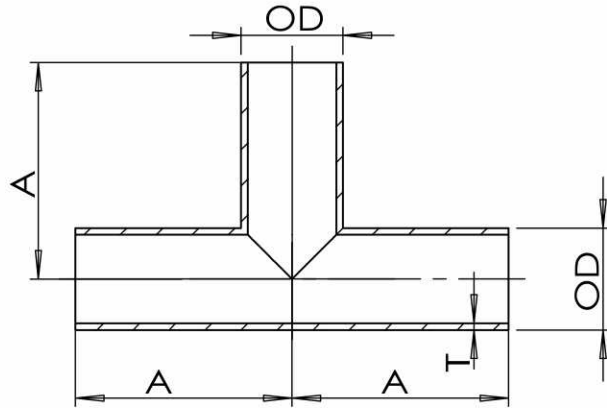
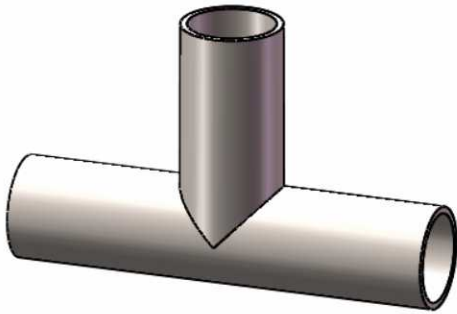
SIZE	SF1 Ra≤0.5	SF4 Ra≤0.375	OD×T (mm)	R (mm)	A (mm)
1/4"	790806001204	790806002204	6.35×0.89	14.30	25.40
3/8"	790809001204	790809002204	9.53×0.89	28.58	25.40
1/2"	790812001204	790812002204	12.7×1.65	28.58	25.40
3/4"	790819001204	790819002204	19.05×1.65	28.58	25.40
1"	790825001204	790825002204	25.4×1.65	38.10	28.58
1 1/2"	790838001204	790838002204	38.1×1.65	57.15	36.53
2"	790850001204	790850002204	50.8×1.65	76.20	44.45
2 1/2"	790863001204	790863002204	63.5×1.65	95.25	52.40
3"	790876001204	790876002204	76.2×1.65	114.30	60.33
4"	790801001204	790801002204	101.6×2.11	152.40	79.38


焊式U型三通 Automatic Weld: 180° Return-Bend Tee

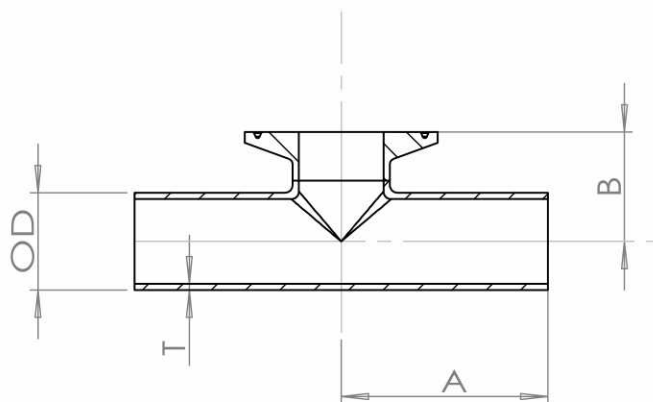
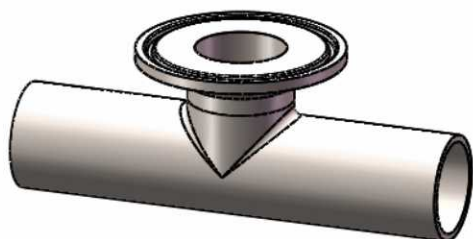
SIZE	SF1 Ra≤0.5	SF4 Ra≤0.375	OD1xT1 (mm)	OD2xT2 (mm)	A (mm)	B (mm)	C (mm)	D (mm)
1"x1/2"	791125121204	791125122204	25.4x1.65	12.7x1.65	76.20	38.10	76.20	53.98
1"x3/4"	791125191204	791125192204	25.4x1.65	19.05x1.65	76.20	38.10	76.20	53.98
1"x1"	791125001204	791125002204	25.4x1.65	25.4x1.65	76.20	38.10	76.20	53.98
1 1/2"x1/2"	791138121204	791138122204	38.1x1.65	12.7x1.65	114.30	57.15	114.30	60.33
1 1/2"x3/4"	791138191204	791138192204	38.1x1.65	19.05x1.65	114.30	57.15	114.30	60.33
1 1/2"x1"	791138251204	791138252204	38.1x1.65	25.4x1.65	114.30	57.15	114.30	60.33
1 1/2"x1 1/2"	791138381204	791138382204	38.1x1.65	38.1x1.65	114.30	57.15	114.30	60.33
2"x1/2"	791150121204	791150122204	50.8x1.65	12.7x1.65	152.40	76.20	127.00	66.68
2"x3/4"	791150191204	791150192204	50.8x1.65	19.05x1.65	152.40	76.20	127.00	66.68
2"x1"	791150251204	791150252204	50.8x1.65	25.4x1.65	152.40	76.20	127.00	66.68
2"x1 1/2"	791150381204	791150382204	50.8x1.65	38.1x1.65	152.40	76.20	127.00	66.68
2"x2"	791150001204	791150002204	50.8x1.65	50.8x1.65	152.40	76.20	127.00	66.68
2 1/2"x1/2"	791163121204	791163122204	63.5x1.65	12.7x1.65	190.50	95.25	146.05	73.03
2 1/2"x3/4"	791163191204	791163192204	63.5x1.65	19.05x1.65	190.50	95.25	146.05	73.03
2 1/2"x1"	791163251204	791163252204	63.5x1.65	25.4x1.65	190.50	95.25	146.05	73.03
2 1/2"x1 1/2"	791163381204	791163382204	63.5x1.65	38.1x1.65	190.50	95.25	146.05	73.03
2 1/2"x2"	791163501204	791163502204	63.5x1.65	50.8x1.65	190.50	95.25	146.05	73.03
2 1/2"x2 1/2"	791163001204	791163002204	63.5x1.65	63.5x1.65	190.50	95.25	146.05	73.03
3"x1/2"	791176121204	791176122204	76.2x1.65	12.7x1.65	228.60	114.30	165.10	79.38
3"x3/4"	791176191204	791176192204	76.2x1.65	19.05x1.65	228.60	114.30	165.10	79.38
3"x1"	791176251204	791176252204	76.2x1.65	25.4x1.65	228.60	114.30	165.10	79.38
3"x1 1/2"	791176381204	791176382204	76.2x1.65	38.1x1.65	228.60	114.30	165.10	79.38
3"x2"	791176501204	791176502204	76.2x1.65	50.8x1.65	228.60	114.30	165.10	79.38
3"x2 1/2"	791176631204	791176632204	76.2x1.65	63.5x1.65	228.60	114.30	165.10	79.38
3"x3"	791176001204	791176002204	76.2x1.65	76.2x1.65	228.60	114.30	165.10	79.38


单卡U型三通 Automatic Weld: Clamp Joint, 180°Return-Bend Tee

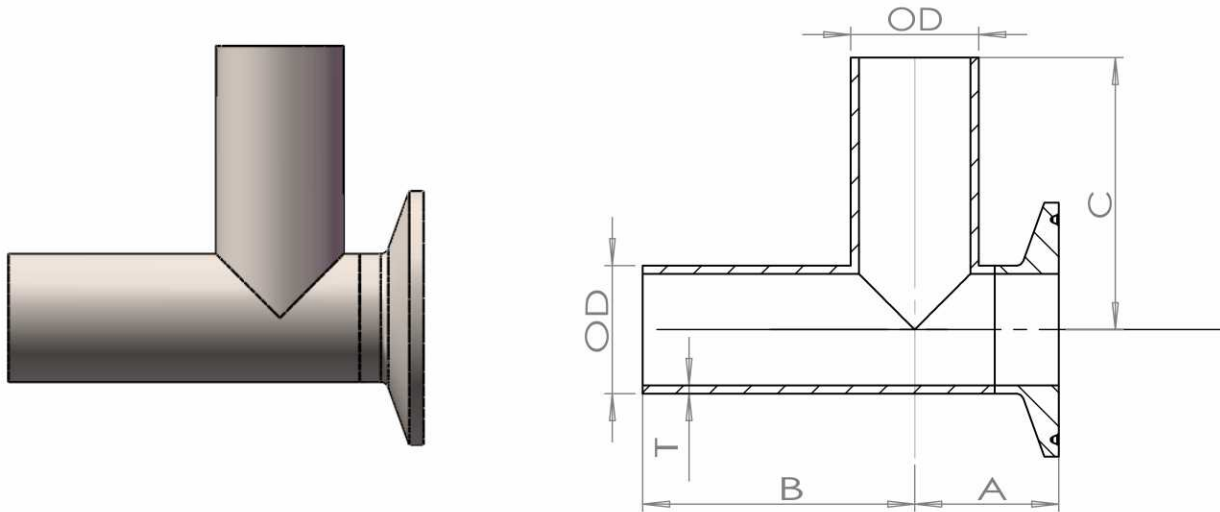
SIZE	SF1 Ra≤0.5	SF4 Ra≤0.375	OD1xT1 (mm)	OD2xT2 (mm)	A (mm)	B (mm)	C (mm)	D (mm)
1"x1/2"	791225121204	791225122204	25.4x1.65	12.7x1.65	76.20	38.10	76.20	28.58
1"x3/4"	791225191204	791225192204	25.4x1.65	19.05x1.65	76.20	38.10	76.20	28.58
1"x1"	791225001204	791225002204	25.4x1.65	25.4x1.65	76.20	38.10	76.20	28.58
1 1/2"x1/2"	791238121204	791238122204	38.1x1.65	12.7x1.65	114.30	57.17	114.30	34.93
1 1/2"x3/4"	791238191204	791238192204	38.1x1.65	19.05x1.65	114.30	57.17	114.30	34.93
1 1/2"x1"	791238251204	791238252204	38.1x1.65	25.4x1.65	114.30	57.17	114.30	34.93
1 1/2"x1 1/2"	791238381204	791238382204	38.1x1.65	38.1x1.65	114.30	57.17	114.30	34.93
2"x1/2"	791250121204	791250122204	50.8x1.65	12.7x1.65	152.40	76.20	127.00	41.28
2"x3/4"	791250191204	791250192204	50.8x1.65	19.05x1.65	152.40	76.20	127.00	41.28
2"x1"	791250251204	791250252204	50.8x1.65	25.4x1.65	152.40	76.20	127.00	41.28
2"x1 1/2"	791250381204	791250382204	50.8x1.65	38.1x1.65	152.40	76.20	127.00	41.28
2"x2"	791250001204	791250002204	50.8x1.65	50.8x1.65	152.40	76.20	127.00	41.28
2 1/2"x1/2"	791263121204	791263122204	63.5x1.65	12.7x1.65	190.50	95.25	146.05	47.63
2 1/2"x3/4"	791263191204	791263192204	63.5x1.65	19.05x1.65	190.50	95.25	146.05	47.63
2 1/2"x1"	791263251204	791263252204	63.5x1.65	25.4x1.65	190.50	95.25	146.05	47.63
2 1/2"x1 1/2"	791263381204	791263382204	63.5x1.65	38.1x1.65	190.50	95.25	146.05	47.63
2 1/2"x2"	791263501204	791263502204	63.5x1.65	50.8x1.65	190.50	95.25	146.05	47.63
2 1/2"x2 1/2"	791263001204	791263002204	63.5x1.65	63.5x1.65	190.50	95.25	146.05	47.63
3"x1/2"	791276121204	791276122204	76.2x1.65	12.7x1.65	228.60	114.30	165.10	53.98
3"x3/4"	791276191204	791276192204	76.2x1.65	19.05x1.65	228.60	114.30	165.10	53.98
3"x1"	791276251204	791276252204	76.2x1.65	25.4x1.65	228.60	114.30	165.10	53.98
3"x1 1/2"	791276381204	791276382204	76.2x1.65	38.1x1.65	228.60	114.30	165.10	53.98
3"x2"	791276501204	791276502204	76.2x1.65	50.8x1.65	228.60	114.30	165.10	53.98
3"x2 1/2"	791276631204	791276632204	76.2x1.65	63.5x1.65	228.60	114.30	165.10	53.98
3"x3"	791276001204	791276002204	76.2x1.65	76.2x1.65	228.60	114.30	165.10	53.98


长焊同径三通 Automatic Weld: Straight Tee

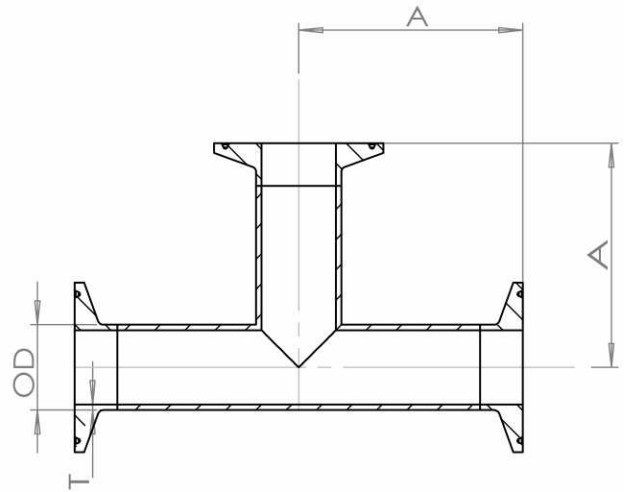
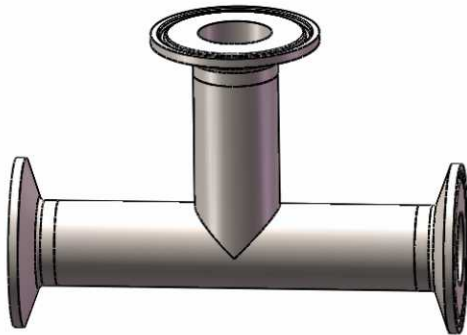
SIZE	SF1 Ra≤0.5	SF4 Ra≤0.375	ODxT (mm)	A (mm)
1/4"	791506001204	791506002204	6.35x0.89	44.45
3/8"	791509001204	791509002204	9.53x0.89	44.45
1/2"	791512001204	791512002204	12.7x1.65	47.63
3/4"	791519001204	791519002204	19.05x1.65	50.80
1"	791525001204	791525002204	25.4x1.65	53.98
1 1/2"	791538001204	791538002204	38.1x1.65	60.33
2"	791550001204	791550002204	50.8x1.65	73.03
2 1/2"	791563001204	791563002204	63.5x1.65	79.38
3"	791576001204	791576002204	76.2x1.65	85.73
4"	791501001204	791501002204	101.6x2.11	104.78


短单卡同径三通 Automatic Weld: Short-Outlet Clamp Joint Tee

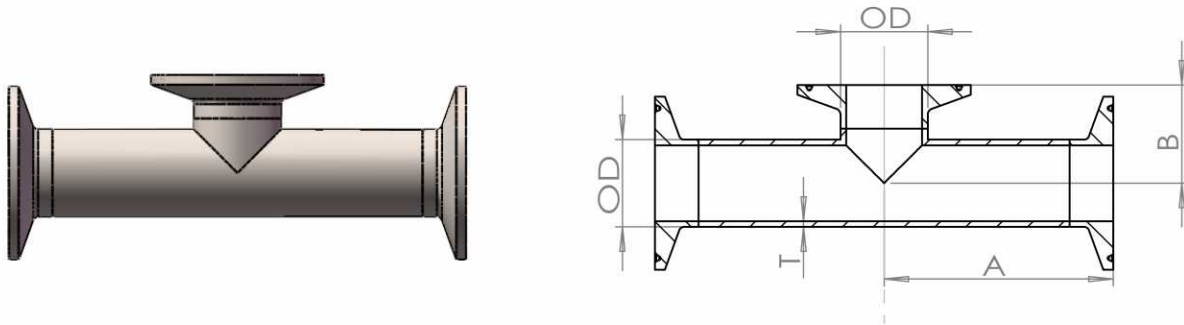
SIZE	SF1 Ra≤0.5	SF4 Ra≤0.375	ODxT (mm)	A (mm)	B (mm)
1/4"	791606001204	791606002204	6.35x0.89	44.45	25.40
3/8"	791609001204	791609002204	9.53x0.89	44.45	25.40
1/2"	791612001204	791612002204	12.7x1.65	47.63	25.40
3/4"	791619001204	791619002204	19.05x1.65	50.80	28.58
1"	791625001204	791625002204	25.4x1.65	53.98	28.58
1 1/2"	791638001204	791638002204	38.1x1.65	60.33	34.93
2"	791650001204	791650002204	50.8x1.65	73.03	41.28
2 1/2"	791663001204	791663002204	63.5x1.65	79.38	47.63
3"	791676001204	791676002204	76.2x1.65	85.73	53.98
4"	791601001204	791601002204	101.6x2.11	104.78	69.85


L 型同径三通 Hygienic Mechanical Joint: Short-Outlet Run Tee

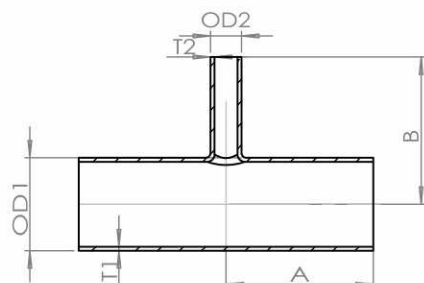
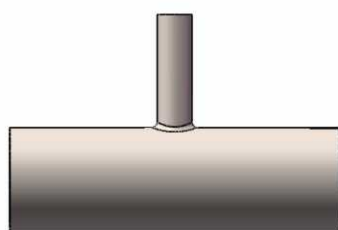
SIZE	SF1 Ra≤0.5	SF4 Ra≤0.375	ODxT (mm)	A (mm)	B (mm)	C (mm)
1/4"	792706001204	792706002204	6.35x0.89	22.23	44.45	44.45
3/8"	792709001204	792709002204	9.53x0.89	22.23	44.45	44.45
1/2"	792712001204	792712002204	12.7x1.65	22.23	47.63	47.63
3/4"	792719001204	792719002204	19.05x1.65	25.40	50.80	50.80
1"	792725001204	792725002204	25.4x1.65	28.58	53.98	53.98
1 1/2"	792738001204	792738002204	38.1x1.65	34.93	60.33	60.33
2"	792750001204	792750002204	50.8x1.65	41.28	73.03	73.03
2 1/2"	792763001204	792763002204	63.5x1.65	47.63	79.38	79.38
3"	792776001204	792776002204	76.2x1.65	53.98	85.73	85.73
4"	792701001204	792701002204	101.6x2.11	69.85	104.78	104.78


卡式同径三通 Clamp Joint: Straight Tee

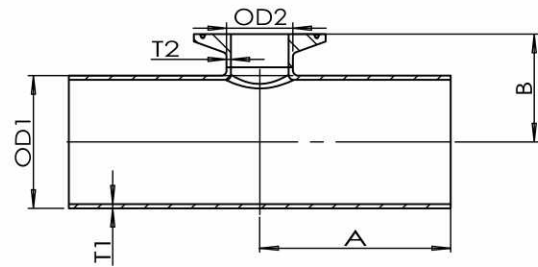
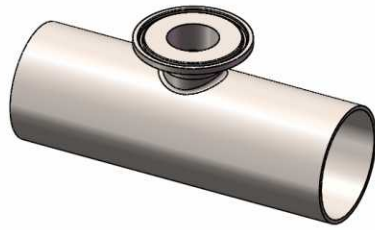
SIZE	SF1 Ra≤0.5	SF4 Ra≤0.375	ODxT (mm)	A (mm)
1/4"	791906001204	791906002204	6.35x0.89	57.15
3/8"	791909001204	791909002204	9.53x0.89	57.15
1/2"	791912001204	791912002204	12.7x1.65	60.33
3/4"	791919001204	791919002204	19.05x1.65	63.50
1"	791925001204	791925002204	25.4x1.65	66.68
1 1/2"	791938001204	791938002204	38.1x1.65	73.03
2"	791950001204	791950002204	50.8x1.65	85.73
2 1/2"	791963001204	791963002204	63.5x1.65	92.08
3"	791976001204	791976002204	76.2x1.65	98.43
4"	791901001204	791901002204	101.6x2.11	120.65


卡式短切三通 Clamp Joint: Short-Outlet Tee

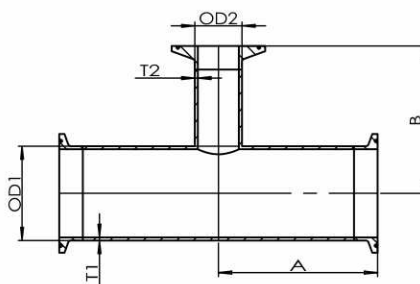
SIZE	SF1 Ra≤0.5	SF4 Ra≤0.375	ODxT (mm)	A (mm)	B (mm)
1/2"	791812001204	791812002204	12.7x1.65	60.33	25.40
3/4"	791819001204	791819002204	19.05x1.65	63.50	28.58
1"	791825001204	791825002204	25.4x1.65	66.68	28.58
1 1/2"	791838001204	791838002204	38.1x1.65	73.03	34.93
2"	791850001204	791850002204	50.8x1.65	85.73	41.28
2 1/2"	791863001204	791863002204	63.5x1.65	92.08	47.63
3"	791876001204	791876002204	76.2x1.65	98.43	53.98
4"	791801001204	791801002204	101.6x2.11	120.65	69.85


焊式异径三通 Automatic Weld: Reducing Tee

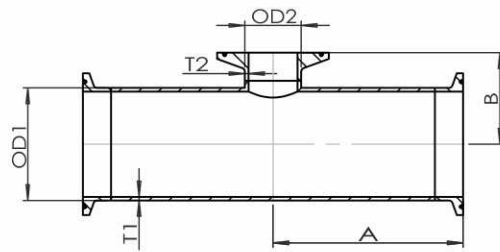
SIZE	SF1 Ra≤0.5	SF4 Ra≤0.375	OD1xT1 (mm)	OD2xT2 (mm)	A (mm)	B (mm)
3/8"x1/4"	792009061204	792009062204	9.53x0.89	6.35x0.89	44.45	44.45
1/2"x1/4"	792012061204	792012062204	12.7x1.65	6.35x0.89	47.63	47.63
1/2"x3/8"	792012091204	792012092204	12.7x1.65	9.53x0.89	47.63	47.63
3/4"x1/4"	792019061204	792019062204	19.05x1.65	6.35x0.89	50.8	50.8
3/4"x3/8"	792019091204	792019092204	19.05x1.65	9.53x0.89	50.8	50.8
3/4"x1/2"	792019121204	792019122204	19.05x1.65	12.7x1.65	50.8	50.8
1"x1/4"	792025061204	792025062204	25.4x1.65	6.35x1.65	53.98	53.98
1"x3/8"	792025091204	792025092204	25.4x1.65	9.53x1.65	53.98	53.98
1"x1/2"	792025121204	792025122204	25.4x1.65	12.7x1.65	53.98	53.98
1"x3/4"	792025191204	792025192204	25.4x1.65	19.05x1.65	53.98	53.98
1 1/2"x1/2"	792038121204	792038122204	38.1x1.65	12.7x1.65	60.33	60.33
1 1/2"x3/4"	792038191204	792038192204	38.1x1.65	19.05x1.65	60.33	60.33
1 1/2"x1"	792038251204	792038252204	38.1x1.65	25.4x1.65	60.33	60.33
2"x1/2"	792050121204	792050122204	50.8x1.65	12.7x1.65	73.03	66.68
2"x3/4"	792050191204	792050192204	50.8x1.65	19.05x1.65	73.03	66.68
2"x1"	792050251204	792050252204	50.8x1.65	25.4x1.65	73.03	66.68
2"x1 1/2"	792050381204	792050382204	50.8x1.65	38.1x1.65	73.03	66.68
2 1/2"x1/2"	792063121204	792063122204	63.5x1.65	12.7x1.65	79.38	73.03
2 1/2"x3/4"	792063191204	792063192204	63.5x1.65	19.05x1.65	79.38	73.03
2 1/2"x1"	792063251204	792063252204	63.5x1.65	25.4x1.65	79.38	73.03
2 1/2"x1 1/2"	792063381204	792063382204	63.5x1.65	38.1x1.65	79.38	73.03
2 1/2"x2"	792063501204	792063502204	63.5x1.65	50.8x1.65	79.38	73.03
3"x1/2"	792076121204	792076122204	76.2x1.65	12.7x1.65	85.73	79.38
3"x3/4"	792076191204	792076192204	76.2x1.65	19.05x1.65	85.73	79.38
3"x1"	792076251204	792076252204	76.2x1.65	25.4x1.65	85.73	79.38
3"x1 1/2"	792076381204	792076382204	76.2x1.65	38.1x1.65	85.73	79.38
3"x2"	792076501204	792076502204	76.2x1.65	50.8x1.65	85.73	79.38
3"x2 1/2"	792076631204	792076632204	76.2x1.65	63.5x1.65	85.73	79.38
4"x1/2"	792001121204	792001122204	101.6x2.11	12.7x1.65	104.78	92.08
4"x3/4"	792001191204	792001192204	101.6x2.11	19.05x1.65	104.78	92.08
4"x1"	792001251204	792001252204	101.6x2.11	25.4x1.65	104.78	92.08
4"x1 1/2"	792001381204	792001382204	101.6x2.11	38.1x1.65	104.78	92.08
4"x2"	792001501204	792001502204	101.6x2.11	50.8x1.65	104.78	98.43
4"x2 1/2"	792001631204	792001632204	101.6x2.11	63.5x1.65	104.78	98.43
4"x3"	792001761204	792001762204	101.6x2.11	76.2x1.65	104.78	98.43


单卡短切异径三通 Automatic Weld: Short-Outlet Clamp, Joint Reducing Tee

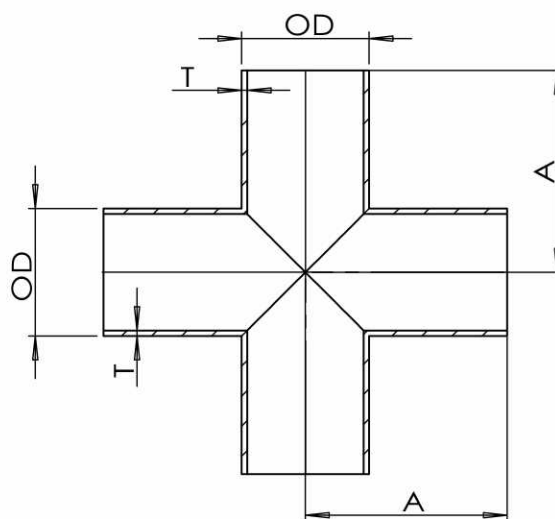
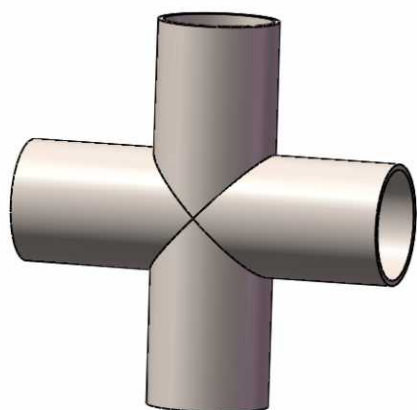
SIZE	SF1 Ra≤0.5	SF4 Ra≤0.375	OD1xT1 (mm)	OD2xT2 (mm)	A (mm)	B (mm)
3/8"x1/4"	792109061204	792109062204	9.53x0.89	6.35x0.89	44.45	25.4
1/2"x1/4"	792112061204	792112062204	12.7x1.65	6.35x0.89	47.63	25.4
1/2"x3/8"	792112091204	792112092204	12.7x1.65	9.53x0.89	47.63	25.4
3/4"x1/4"	792119061204	792119062204	19.05x1.65	6.35x0.89	50.8	25.4
3/4"x3/8"	792119091204	792119092204	19.05x1.65	9.53x0.89	50.8	25.4
3/4"x1/2"	792119121204	792119122204	19.05x1.65	12.7x1.65	50.8	25.4
1"x1/4"	792125061204	792125062204	25.4x1.65	6.35x1.65	53.98	28.58
1"x3/8"	792125091204	792125092204	25.4x1.65	9.53x1.65	53.98	28.58
1"x1/2"	792125121204	792125122204	25.4x1.65	12.7x1.65	53.98	28.58
1"x3/4"	792125191204	792125192204	25.4x1.65	19.05x1.65	53.98	28.58
1 1/2"x1/2"	792138121204	792138122204	38.1x1.65	12.7x1.65	60.33	34.93
1 1/2"x3/4"	792138191204	792138192204	38.1x1.65	19.05x1.65	60.33	34.93
1 1/2"x1"	792138251204	792138252204	38.1x1.65	25.4x1.65	60.33	34.93
2"x1/2"	792150121204	792150122204	50.8x1.65	12.7x1.65	73.03	41.28
2"x3/4"	792150191204	792150192204	50.8x1.65	19.05x1.65	73.03	41.28
2"x1"	792150251204	792150252204	50.8x1.65	25.4x1.65	73.03	41.28
2"x1 1/2"	792150381204	792150382204	50.8x1.65	38.1x1.65	73.03	41.28
2 1/2"x1/2"	792163121204	792163122204	63.5x1.65	12.7x1.65	79.38	47.63
2 1/2"x3/4"	792163191204	792163192204	63.5x1.65	19.05x1.65	79.38	47.63
2 1/2"x1"	792163251204	792163252204	63.5x1.65	25.4x1.65	79.38	47.63
2 1/2"x1 1/2"	792163381204	792163382204	63.5x1.65	38.1x1.65	79.38	47.63
2 1/2"x2"	792163501204	792163502204	63.5x1.65	50.8x1.65	79.38	47.63
3"x1/2"	792176121204	792176122204	76.2x1.65	12.7x1.65	85.73	53.98
3"x3/4"	792176191204	792176192204	76.2x1.65	19.05x1.65	85.73	53.98
3"x1"	792176251204	792176252204	76.2x1.65	25.4x1.65	85.73	53.98
3"x1 1/2"	792176381204	792176382204	76.2x1.65	38.1x1.65	85.73	53.98
3"x2"	792176501204	792176502204	76.2x1.65	50.8x1.65	85.73	53.98
3"x2 1/2"	792176631204	792176632204	76.2x1.65	63.5x1.65	85.73	53.98
4"x1/2"	792101121204	792101122204	101.6x2.11	12.7x1.65	104.78	66.68
4"x3/4"	792101191204	792101192204	101.6x2.11	19.05x1.65	104.78	66.68
4"x1"	792101251204	792101252204	101.6x2.11	25.4x1.65	104.78	66.68
4"x1 1/2"	792101381204	792101382204	101.6x2.11	38.1x1.65	104.78	66.68
4"x2"	792101501204	792101502204	101.6x2.11	50.8x1.65	104.78	66.68
4"x2 1/2"	792101631204	792101632204	101.6x2.11	63.5x1.65	104.78	66.68
4"x3"	792101761204	792101762204	101.6x2.11	76.2x1.65	104.78	66.68


卡式异径三通 Clamp Joint: Reducing Tee //

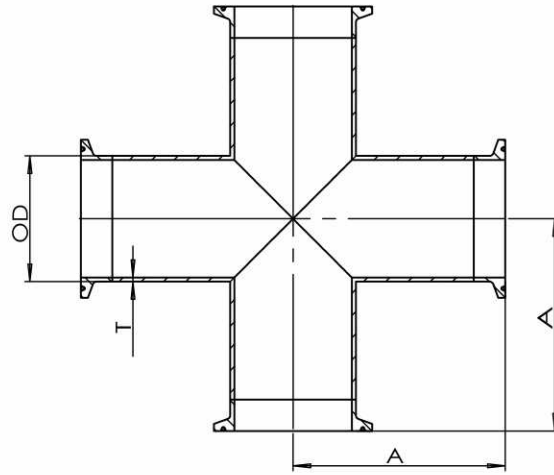
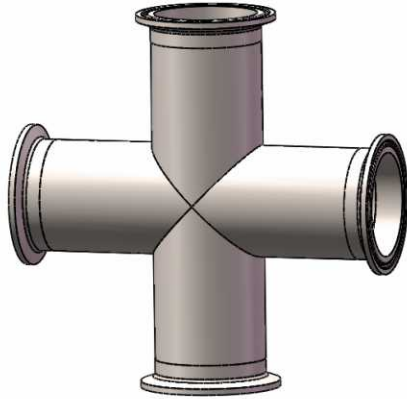
SIZE	SF1 Ra≤0.5	SF4 Ra≤0.375	OD1xT1 (mm)	OD2xT2 (mm)	A (mm)	B (mm)
1/2"x1/4"	792412061204	792412062204	12.7x1.65	6.35x0.89	60.33	60.33
1/2"x3/8"	792412091204	792412092204	12.7x1.65	9.525x0.89	60.33	60.33
3/4"x1/4"	792419061204	792419062204	19.05x1.65	6.35x0.89	63.50	63.50
3/4"x3/8"	792419091204	792419092204	19.05x1.65	9.53x0.89	63.50	63.50
3/4"x1/2"	792419121204	792419122204	19.05x1.65	12.7x1.65	63.50	63.50
1"x1/4"	792425061204	792425062204	25.4x1.65	6.35x0.89	66.68	66.68
1"x3/8"	792425091204	792425092204	25.4x1.65	9.53x0.89	66.68	66.68
1"x1/2"	792425121204	792425122204	25.4x1.65	12.7x1.65	66.68	66.68
1"x3/4"	792425191204	792425192204	25.4x1.65	19.05x1.65	66.68	66.68
1 1/2"x1/2"	792438121204	792438122204	38.1x1.65	12.7x1.65	73.03	73.03
1 1/2"x3/4"	792438191204	792438192204	38.1x1.65	19.05x1.65	73.03	73.03
1 1/2"x1"	792438251204	792438252204	38.1x1.65	25.4x1.65	73.03	73.03
2"x1/2"	792450121204	792450122204	50.8x1.65	12.7x1.65	85.73	79.38
2"x3/4"	792450191204	792450192204	50.8x1.65	19.05x1.65	85.73	79.38
2"x1"	792450251204	792450252204	50.8x1.65	25.4x1.65	85.73	79.38
2"x1 1/2"	792450381204	792450382204	50.8x1.65	38.1x1.65	85.73	79.38
2 1/2"x1/2"	792463121204	792463122204	63.5x1.65	12.7x1.65	92.08	85.73
2 1/2"x3/4"	792463191204	792463192204	63.5x1.65	19.05x1.65	92.08	85.73
2 1/2"x1"	792463251204	792463252204	63.5x1.65	25.4x1.65	92.08	85.73
2 1/2"x1 1/2"	792463381204	792463382204	63.5x1.65	38.1x1.65	92.08	85.73
2 1/2"x2"	792463501204	792463502204	63.5x1.65	50.8x1.65	92.08	85.73
3"x1/2"	792476121204	792476122204	76.2x1.65	12.7x1.65	98.43	92.08
3"x3/4"	792476191204	792476192204	76.2x1.65	19.05x1.65	98.43	92.08
3"x1"	792476251204	792476252204	76.2x1.65	25.4x1.65	98.43	92.08
3"x1 1/2"	792476381204	792476382204	76.2x1.65	38.1x1.65	98.43	92.08
3"x2"	792476501204	792476502204	76.2x1.65	50.8x1.65	98.43	92.08
3"x2 1/2"	792476631204	792476632204	76.2x1.65	63.5x1.65	98.43	92.08
4"x1/2"	792401121204	792401122204	101.6x2.11	12.7x1.65	120.65	104.78
4"x3/4"	792401191204	792401192204	101.6x2.11	19.05x1.65	120.65	104.78
4"x1"	792401251204	792401252204	101.6x2.11	25.4x1.65	120.65	104.78
4"x1 1/2"	792401381204	792401382204	101.6x2.11	38.1x1.65	120.65	104.78
4"x2"	792401501204	792401502204	101.6x2.11	50.8x1.65	120.65	111.13
4"x2 1/2"	792401631204	792401632204	101.6x2.11	63.5x1.65	120.65	111.13
4"x3"	792401761204	792401762204	101.6x2.11	76.2x1.65	120.65	111.13


卡式短切异径三通 Clamp Joint: Short-Outlet Reducing Tee

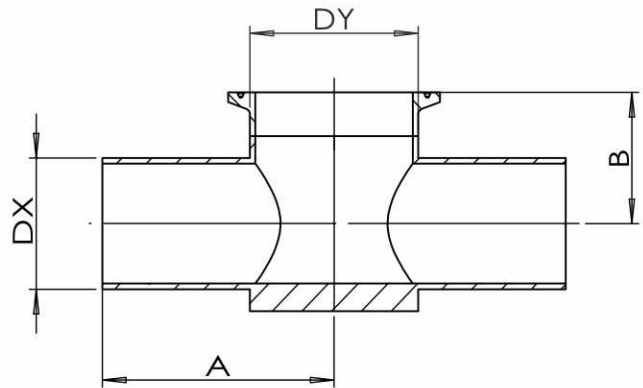
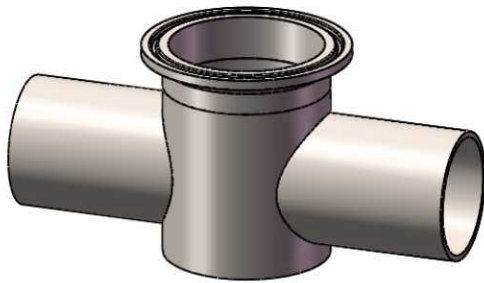
SIZE	SF1 Ra≤0.5	SF4 Ra≤0.375	OD1xT1 (mm)	OD2xT2 (mm)	A (mm)	B (mm)
3/8"x1/4"	792309061204	792309062204	9.53x0.89	6.35x0.89	57.15	25.40
1/2"x1/4"	792312061204	792312062204	12.7x1.65	6.35x0.89	60.33	25.40
1/2"x3/8"	792312091204	792312092204	12.7x1.65	9.525x0.89	60.33	25.40
3/4"x1/4"	792319061204	792319062204	19.05x1.65	6.35x0.89	63.50	25.40
3/4"x3/8"	792319091204	792319092204	19.05x1.65	9.53x0.89	63.50	25.40
3/4"x1/2"	792319121204	792319122204	19.05x1.65	12.7x1.65	63.50	25.40
1"x1/4"	792325061204	792325062204	25.4x1.65	6.35x0.89	66.68	28.58
1"x3/8"	792325091204	792325092204	25.4x1.65	9.53x0.89	66.68	28.58
1"x1/2"	792325121204	792325122204	25.4x1.65	12.7x1.65	66.68	28.58
1"x3/4"	792325191204	792325192204	25.4x1.65	19.05x1.65	66.68	28.58
1 1/2"x1/2"	792338121204	792338122204	38.1x1.65	12.7x1.65	73.03	34.93
1 1/2"x3/4"	792338191204	792338192204	38.1x1.65	19.05x1.65	73.03	34.93
1 1/2"x1"	792338251204	792338252204	38.1x1.65	25.4x1.65	73.03	34.93
2"x1/2"	792350121204	792350122204	50.8x1.65	12.7x1.65	85.73	41.28
2"x3/4"	792350191204	792350192204	50.8x1.65	19.05x1.65	85.73	41.28
2"x1"	792350251204	792350252204	50.8x1.65	25.4x1.65	85.73	41.28
2"x1 1/2"	792350381204	792350382204	50.8x1.65	38.1x1.65	85.73	41.28
2 1/2"x1/2"	792363121204	792363122204	63.5x1.65	12.7x1.65	92.08	47.63
2 1/2"x3/4"	792363191204	792363192204	63.5x1.65	19.05x1.65	92.08	47.63
2 1/2"x1"	792363251204	792363252204	63.5x1.65	25.4x1.65	92.08	47.63
2 1/2"x1 1/2"	792363381204	792363382204	63.5x1.65	38.1x1.65	92.08	47.63
2 1/2"x2"	792363501204	792363502204	63.5x1.65	50.8x1.65	92.08	47.63
3"x1/2"	792376121204	792376122204	76.2x1.65	12.7x1.65	98.43	53.98
3"x3/4"	792376191204	792376192204	76.2x1.65	19.05x1.65	98.43	53.98
3"x1"	792376251204	792376252204	76.2x1.65	25.4x1.65	98.43	53.98
3"x1 1/2"	792376381204	792376382204	76.2x1.65	38.1x1.65	98.43	53.98
3"x2"	792376501204	792376502204	76.2x1.65	50.8x1.65	98.43	53.98
3"x2 1/2"	792376631204	792376632204	76.2x1.65	63.5x1.65	98.43	53.98
4"x1/2"	792301121204	792301122204	101.6x2.11	12.7x1.65	120.65	66.68
4"x3/4"	792301191204	792301192204	101.6x2.11	19.05x1.65	120.65	66.68
4"x1"	792301251204	792301252204	101.6x2.11	25.4x1.65	120.65	66.68
4"x1 1/2"	792301381204	792301382204	101.6x2.11	38.1x1.65	120.65	66.68
4"x2"	792301501204	792301502204	101.6x2.11	50.8x1.65	120.65	66.68
4"x2 1/2"	792301631204	792301632204	101.6x2.11	63.5x1.65	120.65	66.68
4"x3"	792301761204	792301762204	101.6x2.11	76.2x1.65	120.65	66.68


焊式同径四通 Automatic Weld: Straight Cross

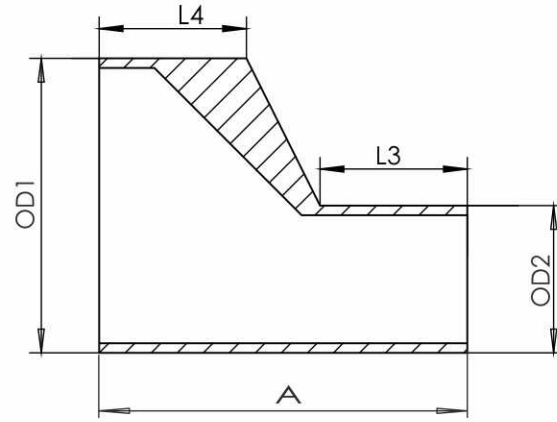
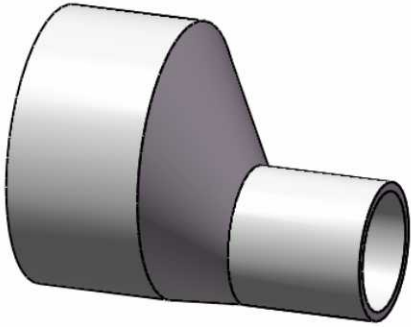
SIZE	SF1 Ra≤0.5	SF4 Ra≤0.375	ODxT (mm)	A (mm)
1/4"	792906001204	792906002204	6.35x0.89	44.45
3/8"	792909001204	792909002204	9.53x0.89	44.45
1/2"	792912001204	792912002204	12.7x1.65	47.63
3/4"	792919001204	792919002204	19.05x1.65	50.80
1"	792925001204	792925002204	25.4x1.65	53.98
1 1/2"	792938001204	792938002204	38.1x1.65	60.33
2"	792950001204	792950002204	50.8x1.65	73.03
2 1/2"	792963001204	792963002204	63.5x1.65	79.38
3"	792976001204	792976002204	76.2x1.65	85.73
4"	792901001204	792901002204	101.6x2.11	104.78


卡式同径四通 Clamp Joint: Straight Cross

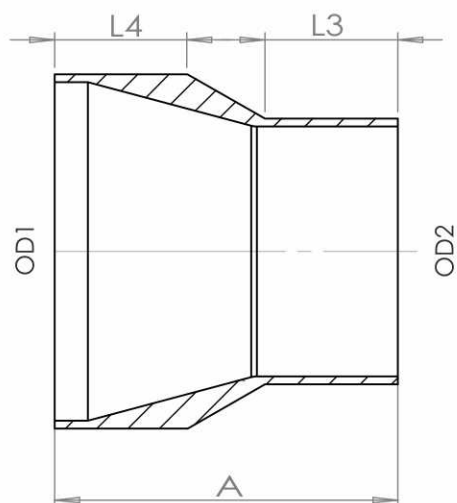
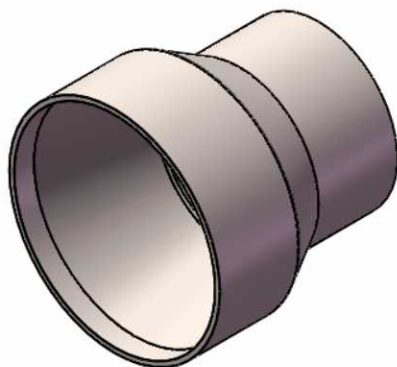
SIZE	SF1 Ra≤0.5	SF4 Ra≤0.375	ODxT (mm)	A (mm)
1/4"	792806001204	792806002204	6.35x0.89	57.15
3/8"	792809001204	792809002204	9.53x0.89	57.15
1/2"	792812001204	792812002204	12.7x1.65	60.33
3/4"	792819001204	792819002204	19.05x1.65	63.50
1"	792825001204	792825002204	25.4x1.65	66.68
1 1/2"	792838001204	792838002204	38.1x1.65	73.03
2"	792850001204	792850002204	50.8x1.65	85.73
2 1/2"	792863001204	792863002204	63.5x1.65	92.08
3"	792876001204	792876002204	76.2x1.65	98.43
4"	792801001204	792801002204	101.6x2.11	120.65


焊式仪表三通 Automatic Weld: Instrument Tee

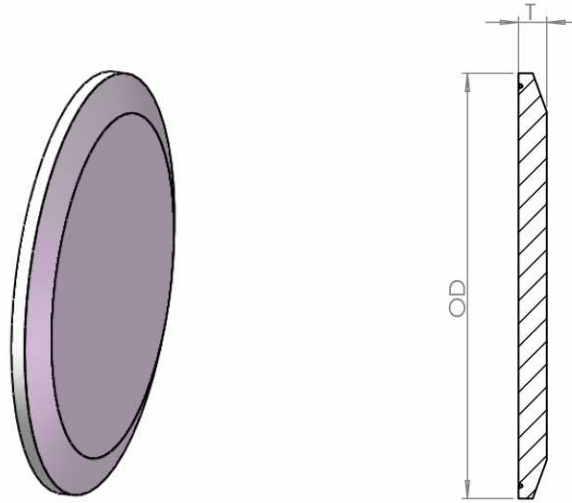
SIZE (DX X DY)	SF1 Ra≤0.5	SF4 Ra≤0.375	A (mm)	B (mm)
1/2"x1 1/2"	792512381204	792512382204	63.50	22.23
3/4"x1 1/2"	792519381204	792519382204	63.50	25.40
1"x1 1/2"	792525381204	792525382204	63.50	28.58
1/2"x2"	792512501204	792512502204	69.85	25.40
3/4"x2"	792519501204	792519502204	69.85	28.58
1"x2"	792525501204	792525502204	69.85	31.75
1 1/2"x2"	792538501204	792538502204	69.85	38.10


焊式偏心大小头 Automatic Weld: Eccentric Reducer

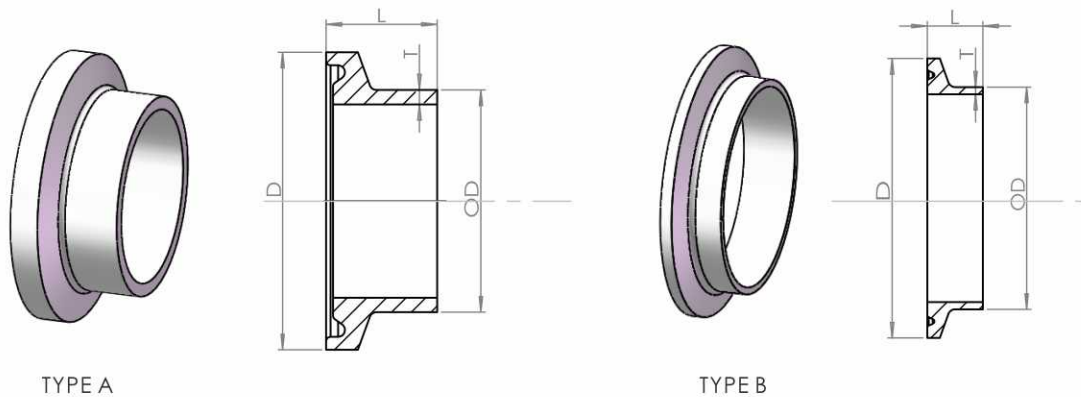
SIZE	SF1 Ra≤0.5	SF4 Ra≤0.375	OD1 (mm)	OD2 (mm)	A (mm)	L3 (mm)	L4 (mm)
3/8"x1/4"	793609061204	793609062204	9.53	6.35	41.28	19.05	19.05
1/2"x1/4"	793612061204	793612062204	12.7	6.35	47.63	19.05	25.40
1/2"x3/8"	793612091204	793612092204	12.7	9.53	47.63	19.05	25.40
3/4"x3/8"	793619091204	793619092204	19.05	9.53	50.8	19.05	25.40
3/4"x1/2"	793619121204	793619122204	19.05	12.7	53.98	25.40	25.40
1"x1/2"	793625121204	793625122204	25.4	12.7	63.5	25.40	25.40
1"x3/4"	793625191204	793625192204	25.4	19.05	53.98	25.40	25.40
1 1/2"x3/4"	793638191204	793638192204	38.1	19.05	76.2	25.40	25.40
1 1/2"x1"	793638251204	793638252204	38.1	25.4	63.5	25.40	25.40
2"x1"	793650251204	793650252204	50.8	25.4	85.73	25.40	25.40
2"x1 1/2"	793650381204	793650382204	50.8	38.1	63.5	25.40	25.40
2 1/2"x1 1/2"	793663381204	793663382204	63.5	38.1	85.73	25.40	25.40
2 1/2"x2"	793663501204	793663502204	63.5	50.8	63.5	25.40	25.40
3"x1 1/2"	793676381204	793676382204	76.2	38.1	107.95	25.40	38.10
3"x2"	793676501204	793676502204	76.2	50.8	85.73	25.40	38.10
3"x2 1/2"	793676631204	793676632204	76.2	63.5	66.68	25.40	38.10
4"x2"	793601501204	793601502204	101.6	50.8	130.18	25.40	38.10
4"x2 1/2"	793601631204	793601632204	101.6	63.5	107.95	25.40	38.10
4"x3"	793601761204	793601762204	101.6	76.2	98.43	38.10	38.10


焊式同心大小头 Automatic Weld: Concentric Reducer

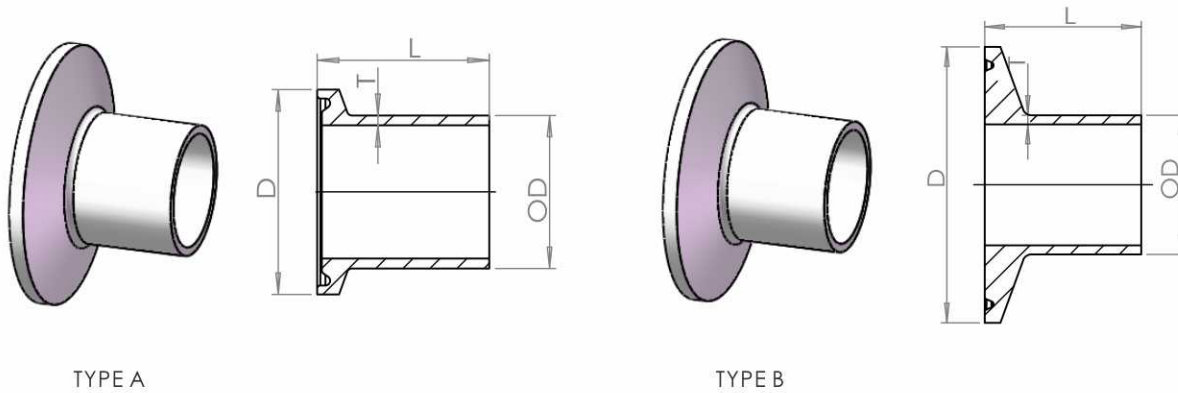
SIZE	SF1 Ra≤0.5	SF4 Ra≤0.375	OD1 (mm)	OD2 (mm)	A	L3	L4
3/8"x1/4"	793309061204	793309062204	9.53	6.35	41.28	19.05	19.05
1/2" x1/4"	793312061204	793312062204	12.7	6.35	47.63	19.05	25.40
1/2" x3/8"	793312091204	793312092204	12.7	9.53	47.63	19.05	25.40
3/4" x3/8"	793319091204	793319092204	19.05	9.53	50.80	19.05	25.40
3/4" x1/2"	793319121204	793319122204	19.05	12.7	53.98	25.40	25.40
1"x1/2"	793325121204	793325122204	25.4	12.7	63.50	25.40	25.40
1"x3/4"	793325191204	793325192204	25.4	19.05	53.98	25.40	25.40
1 1/2" x3/4"	793338191204	793338192204	38.1	19.05	76.20	25.40	25.40
1 1/2" x1"	793338251204	793338252204	38.1	25.4	63.50	25.40	25.40
2"x1"	793350251204	793350252204	50.8	25.4	85.73	25.40	25.40
2"x1 1/2"	793350381204	793350382204	50.8	38.1	63.50	25.40	25.40
2 1/2" x1 1/2"	793363381204	793363382204	63.5	38.1	85.73	25.40	25.40
2 1/2" x2"	793363501204	793363502204	63.5	50.8	63.50	25.40	25.40
3"x1 1/2"	793376381204	793376382204	76.2	38.1	107.95	25.40	38.10
3"x2"	793376501204	793376502204	76.2	50.8	85.73	25.40	38.10
3" x2 1/2"	793376631204	793376632204	76.2	63.5	66.68	25.40	38.10
4"x2"	793301501204	793301502204	101.6	50.8	130.18	25.40	38.10
4"x2 1/2"	793301631204	793301632204	101.6	63.5	107.95	25.40	38.10
4"x3"	793301761204	793301762204	101.6	76.2	98.43	38.10	38.10


闷板 Clamp Joint: Solid End Cap

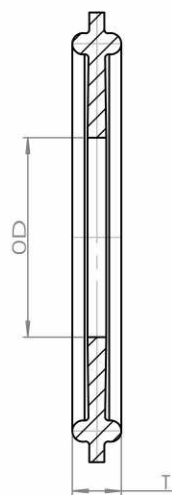
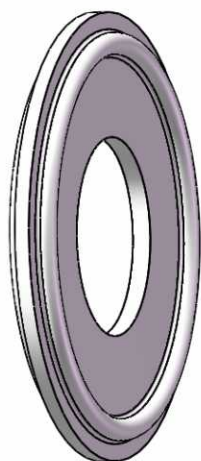
SIZE	SF1 Ra≤0.5	SF4 Ra≤0.375	T (mm)	OD (mm)
1/2"	784712001204	784712002204	6.35	25.00
3/4"	784719001204	784719002204	6.35	25.00
1"	784725001204	784725002204	6.35	50.40
1 1/2"	784738001204	784738002204	6.35	50.40
2"	784750001204	784750002204	6.35	63.91
2 1/2"	784763001204	784763002204	6.35	77.50
3"	784776001204	784776002204	6.35	90.90
4"	784701001204	784701002204	7.90	118.92


接头 Ferrule

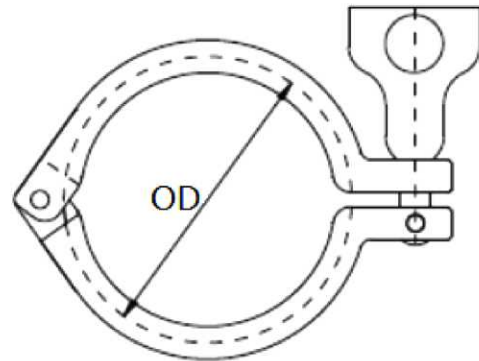
SIZE	SF1 Ra≤0.5	SF4 Ra≤0.375	ODxT (mm)	L (mm)	D (mm)	类型
1/4"	784106001204	784106002204	6.35x0.89	12.7	25.00	TYPE A
3/8"	784109001204	784109002204	9.53x0.89	12.7	25.00	TYPE A
1/2"	784112001204	784112002204	12.7x1.65	12.7	25.00	TYPE A
3/4"	784119001204	784119002204	19.05x1.65	12.7	25.00	TYPE A
1"	784125341204	784125342204	25.4x1.65	12.7	34.00	TYPE A
1"	784125001204	784125002204	25.4x1.65	12.7	50.39	TYPE B
1 1/2"	784138001204	784138002204	38.1x1.65	12.7	50.39	TYPE B
2"	784150001204	784150002204	50.8x1.65	12.7	63.91	TYPE B
2 1/2"	784163001204	784163002204	63.5x1.65	12.7	77.39	TYPE B
3"	784176001204	784176002204	76.1x1.65	12.7	90.91	TYPE B
4"	784101001204	784101002204	101.6x2.11	15.88	118.92	TYPE B


长焊接头 Automatic Weld: Ferrule

SIZE	SF1 Ra≤0.5	SF4 Ra≤0.375	OD×T (mm)	L (mm)	D (mm)	类型
1/4"	784306001204	784306002204	6.35×0.89	28.58	25.00	TYPE A
3/8"	784309001204	784309002204	9.53×0.89	28.58	25.00	TYPE A
1/2"	784312001204	784312002204	12.7×1.65	28.58	25.00	TYPE A
3/4"	784319001204	784319002204	19.05×1.65	28.58	25.00	TYPE A
1"	784325341204	784325342204	25.4×1.65	28.58	34.00	TYPE A
1"	784325001204	784325002204	25.4×1.65	28.58	50.39	TYPE B
1 1/2"	784338001204	784338002204	38.1×1.65	28.58	50.39	TYPE B
2"	784350001204	784350002204	50.8×1.65	28.58	63.91	TYPE B
2 1/2"	784363001204	784363002204	63.5×1.65	28.58	77.39	TYPE B
3"	784376001204	784376002204	76.2×1.65	28.58	90.91	TYPE B
4"	784301001204	784301002204	101.6×2.11	28.58	118.92	TYPE B


垫片 Gasket

SIZE	产品编号 (EPDM)	产品编号 (PTFE)	OD (mm)	T (mm)
1/2"	728412000015	728412000018	9.40	4.5
3/4"	728419000015	728419000018	15.75	4.5
1"	728425000015	728425000018	22.10	5.5
1 1/2"	728438000015	728438000018	34.80	5.5
2"	728450000015	728450000018	47.50	5.5
2 1/2"	728463000015	728463000018	60.50	5.5
3"	728476000015	728476000018	73.10	5.5
4"	728401000015	728401000018	97.80	5.5


卡箍 Clamp Ring

SIZE	产品编码	OD (mm)
1/2"	798512000001	28.6
3/4"	798519000001	28.6
1"	798525000001	54.0
1 1/2"	798538000001	54.0
2"	798550000001	67.4
2 1/2"	798563000001	80.9
3"	798576000001	94.4
4"	798501000001	122.4

ISO2037系列

产品尺寸 (Size, mm)

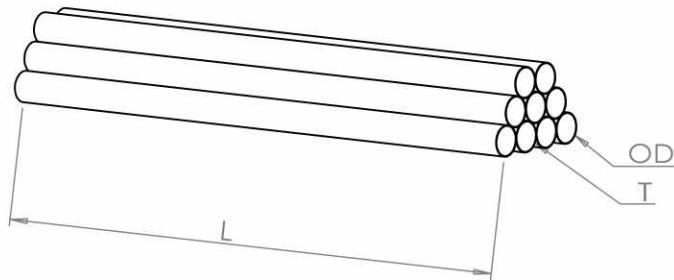
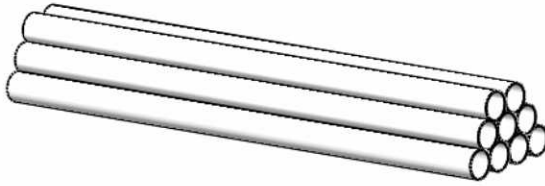
	1/2"	3/4"	Ø25	Ø38	Ø51	Ø63	Ø76	Ø100
OD	12.70	19.05	25.00	38.00	51.00	63.50	76.10	101.60
Wall	1.65	1.65	1.20	1.20	1.20	1.60	1.60	2.00

材质 (Compositions WT, %)

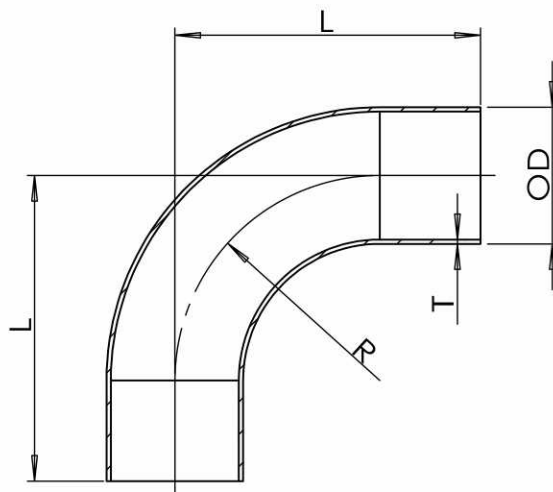
	C	Mn	P	Cr	Ni	Mo	S
S31603/316L	0.035	2.00	0.045	16.0-18.0	10.0-14.0	2.0-3.0	0.030

抛光等级 (Finish Grade)

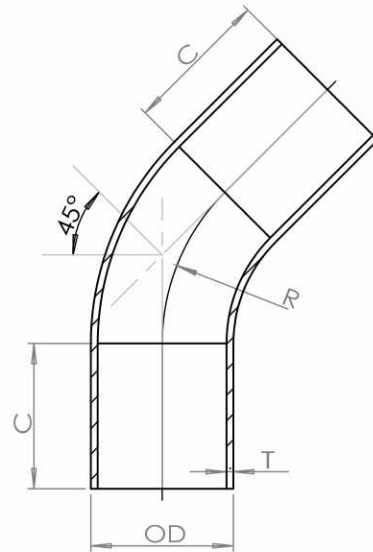
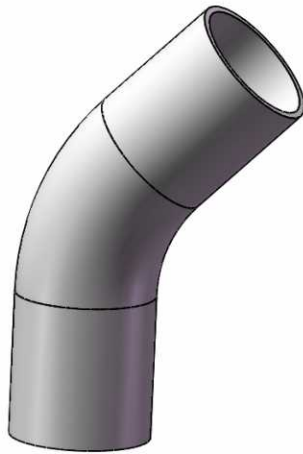
产品表面粗糙度 Ra (µm)	
机抛 (MP)	Ra (外) ≤0.8 Ra (内) ≤0.5
电抛 (EP)	Ra (外) ≤0.8 Ra (内) ≤0.4
光亮退火 (BA)	Ra (外) ≤0.8 Ra (内) ≤0.8


卫生级不锈钢钢管 Tube

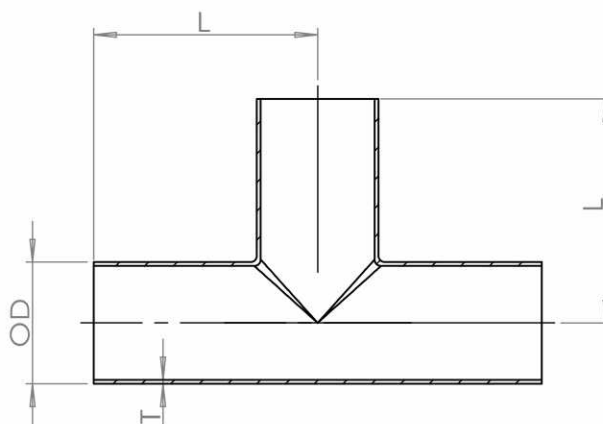
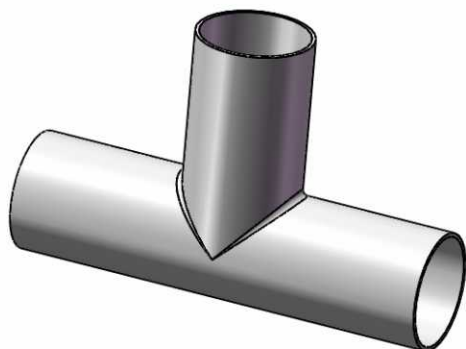
SIZE	MP Ra≤0.5	EP Ra≤0.4	OD (mm)	T (mm)	L (mm)
1/2"	699912001204	699912002204	12.70	1.65	6000
3/4"	699919001204	699919002204	19.05	1.65	6000
φ25	999925001204	999925002204	25	1.20	6000
φ38	999938001204	999938002204	38	1.20	6000
φ51	999950001204	999950002204	51	1.20	6000
φ63.5	999630001204	999630002204	63.5	1.60	6000
φ76.1	999976001204	999976002204	76.1	1.60	6000
φ101.6	999901001204	999901002204	101.6	2.00	6000


90° 长焊弯头 Automatic Weld: 90° Elbow

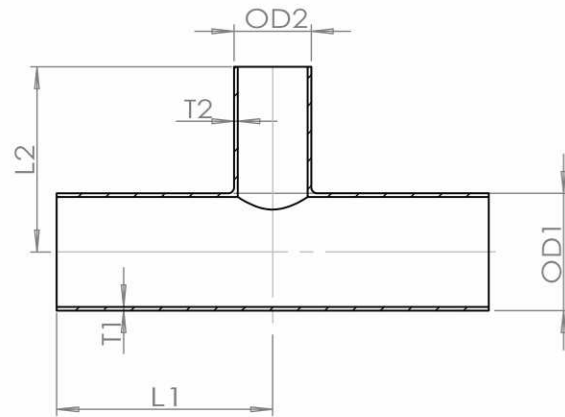
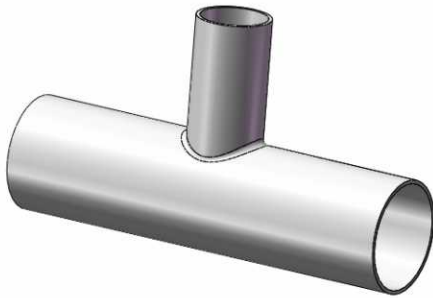
SIZE	MP Ra≤0.5	EP Ra≤0.4	ODxT (mm)	R (mm)	L (mm)
1/2"	690112001204	690112002204	12.7x1.65	37.50	65
3/4"	690119001204	690119002204	19.05x1.65	37.50	65
φ25	990125001204	990125002204	25x1.20	37.50	65
φ38	990138001204	990138002204	38x1.20	57.00	85
φ51	990150001204	990150002204	51x1.20	76.50	110
φ63.5	990163001204	990163002204	63.5x1.60	95.30	135
φ76.1	990176001204	990176002204	76.1x1.60	114.20	155
φ101.6	990101001204	990101002204	101.6x2.00	152.20	195


45° 长焊弯头 Automatic Weld: 45° Elbow

SIZE	MP Ra≤0.5	EP Ra≤0.4	ODxT (mm)	R (mm)	C (mm)
1/2"	690512001204	690512002204	12.7x1.65	37.50	25.50
3/4"	690519001204	690519002204	19.05x1.65	37.50	25.50
φ 25	990525001204	990525002204	25x1.20	37.50	25.50
φ 38	990538001204	990538002204	38x1.20	57.00	27.50
φ 51	990550001204	990550002204	51x1.20	76.50	38.00
φ 63.5	990563001204	990563002204	63.5x1.60	95.30	40.00
φ 76.1	990576001204	990576002204	76.1x1.60	114.20	44.50
φ 101.6	990501001204	990501002204	101.6x2.00	152.20	50.00

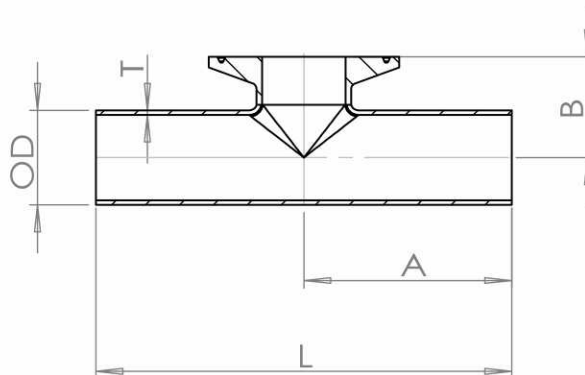
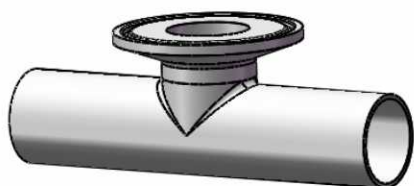

长焊同径三通 Automatic Weld: Straight Tee

SIZE	MP Ra≤0.5	EP Ra≤0.4	ODxT (mm)	L (mm)
1/2"	691512001204	691512002204	12.7x1.65	47.63
3/4"	691519001204	691519002204	19.05x1.65	50.80
φ 25	991525001204	991525002204	25x1.20	55.00
φ 38	991538001204	991538002204	38x1.20	70.00
φ 51	991550001204	991550002204	51x1.20	82.00
φ 63.5	991563001204	991563002204	63.5x1.60	105.00
φ 76.1	991576001204	991576002204	76.1x1.60	110.00
φ 101.6	991501001204	991501002204	101.6x2.00	150.00

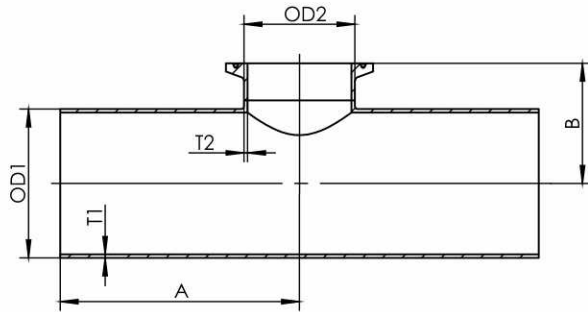


焊式异径三通 Automatic Weld: Reducing Tee

SIZE	MP Ra≤0.5	EP Ra≤0.4	OD1xT1 (mm)	OD2xT2 (mm)	L1 (mm)	L2 (mm)	L (mm)
19x12	692019121204	692019122204	19.05x1.65	12.7x1.65	50.80	50.80	101.60
25x12	992025121204	992025122204	25x1.20	12.7x1.65	55.00	53.98	110.00
25x19	992025191204	992025192204	25x1.20	19.05x1.65	55.00	53.98	110.00
38x19	992038191204	992038192204	38x1.20	19.05x1.65	70.00	60.33	140.00
38x12	992038121204	992038122204	38x1.20	12.7x1.65	70.00	60.33	140.00
38x25	992038251204	992038252204	38x1.20	25x1.20	70.00	60.33	140.00
50x12	992050121204	992050122204	51x1.20	12.7x1.65	82.00	66.68	164.00
50x19	992050191204	992050192204	51x1.20	19.05x1.65	82.00	66.68	164.00
50x25	992050251204	992050252204	51x1.20	25x1.20	82.00	66.68	164.00
50x38	992050381204	992050382204	51x1.20	38x1.20	82.00	66.68	164.00
63x12	992063121204	992063122204	63.5x1.60	12.7x1.65	105.00	73.03	210.00
63x19	992063191204	992063192204	63.5x1.60	19.05x1.65	105.00	73.03	210.00
63x25	992063251204	992063252204	63.5x1.60	25x1.20	105.00	73.03	210.00
63x38	992063381204	992063382204	63.5x1.60	38x1.20	105.00	73.03	210.00
63x50	992063501204	992063502204	63.5x1.60	51x1.20	105.00	73.03	210.00
76x12	992076121204	992076122204	76.1x1.60	12.7x1.65	110.00	79.38	220.00
76x19	992076191204	992076192204	76.1x1.60	19.05x1.65	110.00	79.38	220.00
76x25	992076251204	992076252204	76.1x1.60	25x1.20	110.00	79.38	220.00
76x38	992076381204	992076382204	76.1x1.60	38x1.20	110.00	79.38	220.00
76x50	992076501204	992076502204	76.1x1.60	51x1.20	110.00	79.38	220.00
76x63	992076631204	992076632204	76.1x1.60	63.5x1.60	110.00	79.38	220.00
101x12	992001121204	992001122204	101.6x2.00	12.7x1.65	150.00	92.08	300.00
101x19	992001191204	992001192204	101.6x2.00	19.05x1.65	150.00	92.08	300.00
101x25	992001251204	992001252204	101.6x2.00	25x1.20	150.00	92.08	300.00
101x38	992001381204	992001382204	101.6x2.00	38x1.20	150.00	92.08	300.00
101x50	992001501204	992001502204	101.6x2.00	51x1.20	150.00	98.43	300.00
101x63	992001631204	992001632204	101.6x2.00	63.5x1.60	150.00	98.43	300.00
101x76	992001761204	992001762204	101.6x2.00	76.1x1.60	150.00	98.43	300.00

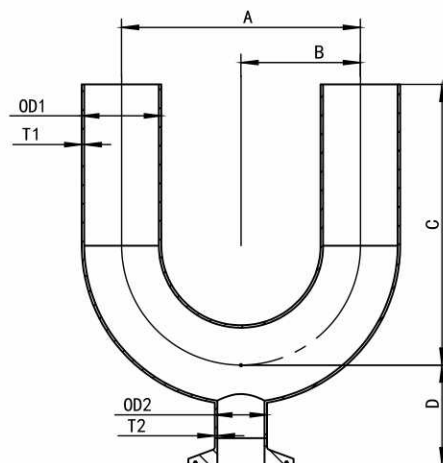
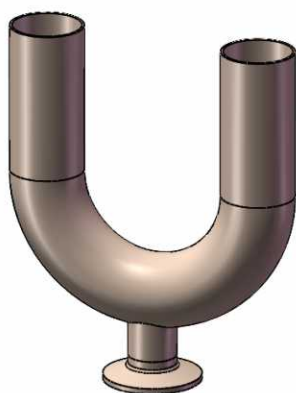

短单卡同径三通 Automatic Weld: Short-Outlet Clamp Joint Tee

SIZE	MP Ra≤0.5	EP Ra≤0.4	ODxT (mm)	A (mm)	L (mm)	B (mm)
1/2"	691612001204	691612002204	12.7x1.65	47.63	95.26	25.40
3/4"	691619001204	691619002204	19.05x1.65	50.80	101.60	28.58
φ 25	991625001204	991625002204	25.0x1.20	55.00	110.00	26.70
φ 38	991638001204	991638002204	38.0x1.20	70.00	140.00	33.70
φ 51	991650001204	991650002204	51.0x1.20	82.00	164.00	41.20
φ 63.5	991663001204	991663002204	63.5x1.60	105.00	210.00	48.00
φ 76.1	991676001204	991676002204	76.1x1.60	110.00	220.00	54.20
φ 101.6	991601001204	991601002204	101.6x2.00	150.00	300.00	70.50

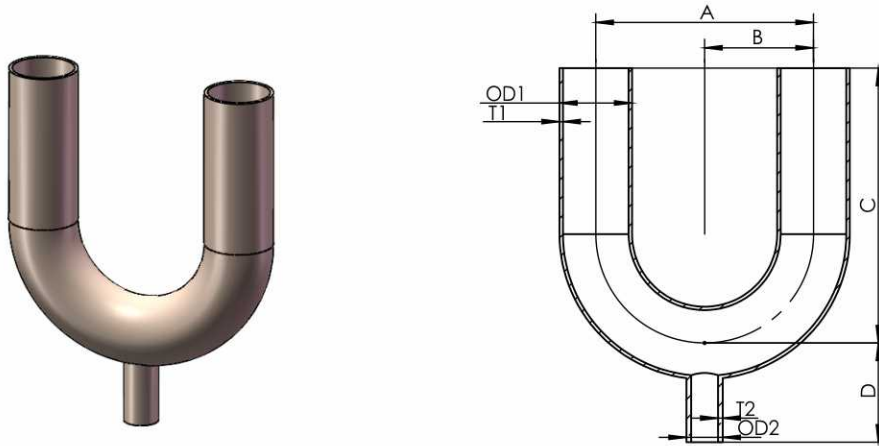


单卡短切异径三通 Automatic Weld: Short-Outlet Clamp, Joint Reducing Tee

SIZE	MP Ra≤0.5	EP Ra≤0.4	OD1xT1 (mm)	OD2xT2 (mm)	A (mm)	B (mm)
19x12	692119121204	692119122204	19.05x1.65	12.7x1.65	50.80	25.40
25x12	992125121204	992125122204	25x1.20	12.7x1.65	55.00	28.80
25x19	992125191204	992125192204	25x1.20	19.05x1.65	55.00	28.80
38x19	992138191204	992138192204	38x1.20	19.05x1.65	70.00	35.00
38x12	992138121204	992138122204	38x1.20	12.7x1.65	70.00	35.00
38x25	992138251204	992138252204	38x1.20	25x1.20	70.00	35.00
50x12	992150121204	992150122204	51x1.20	12.7x1.65	82.00	41.20
50x19	992150191204	992150192204	51x1.20	19.05x1.65	82.00	41.20
50x25	992150251204	992150252204	51x1.20	25x1.20	82.00	41.20
50x38	992150381204	992150382204	51x1.20	38x1.20	82.00	41.20
63x12	992163121204	992163122204	63.5x1.60	12.7x1.65	105.00	47.60
63x19	992163191204	992163192204	63.5x1.60	19.05x1.65	105.00	47.60
63x25	992163251204	992163252204	63.5x1.60	25x1.20	105.00	47.60
63x38	992163381204	992163382204	63.5x1.60	38x1.20	105.00	47.60
63x50	992163501204	992163502204	63.5x1.60	51x1.20	105.00	47.60
76x12	992176121204	992176122204	76.1x1.60	12.7x1.65	110.00	54.00
76x19	992176191204	992176192204	76.1x1.60	19.05x1.65	110.00	54.00
76x25	992176251204	992176252204	76.1x1.60	25x1.20	110.00	54.00
76x38	992176381204	992176382204	76.1x1.60	38x1.20	110.00	54.00
76x50	992176501204	992176502204	76.1x1.60	51x1.20	110.00	54.00
76x63	992176631204	992176632204	76.1x1.60	63.5x1.60	110.00	54.00
101x12	992101121204	992101122204	101.60x2.00	12.7x1.65	150.00	66.70
101x19	992101191204	992101192204	101.60x2.00	19.05x1.65	150.00	66.70
101x25	992101251204	992101252204	101.60x2.00	25x1.20	150.00	66.70
101x38	992101381204	992101382204	101.60x2.00	38x1.20	150.00	66.70
101x50	992101501204	992101502204	101.60x2.00	51x1.20	150.00	66.70
101x63	992101631204	992101632204	101.60x2.00	63.5x1.60	150.00	66.70
101x76	992101761204	992101762204	101.60x2.00	76.1x1.60	150.00	66.70

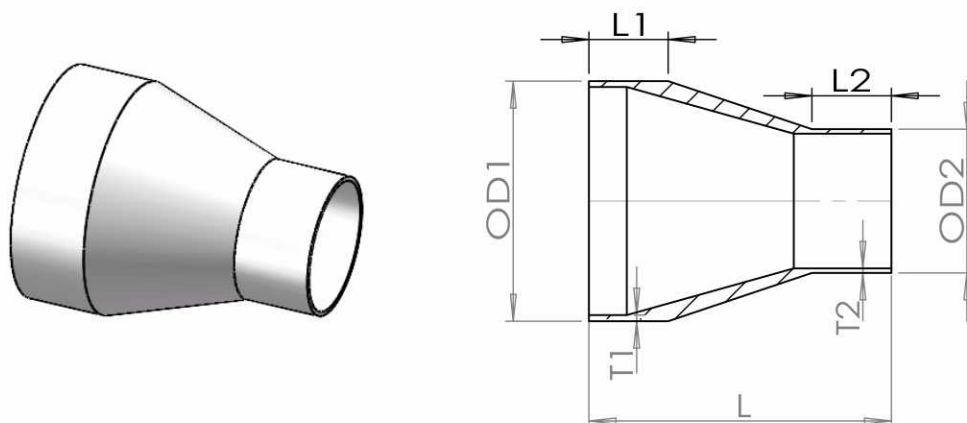

单卡U型三通 Automatic Weld: Clamp Joint, 180°Return-Bend Tee

SIZE	SF1 Ra≤0.5	SF4 Ra≤0.4	OD1xT1 (mm)	OD2xT2 (mm)	A (mm)	B (mm)	C (mm)	D (mm)
25x12	991225121204	991225122204	25x1.20	12.7x1.65	76.20	38.10	96.20	28.58
25x19	991225191204	991225192204	25x1.20	19.05x1.65	76.20	38.10	96.20	28.58
25x25	991225001204	991225002204	25x1.20	25x1.20	76.20	38.10	96.20	28.58
38x12	991238121204	991238122204	38x1.20	12.7x1.65	114.30	57.15	134.30	34.93
38x19	991238191204	991238192204	38x1.20	19.05x1.65	114.30	57.15	134.30	34.93
38x25	991238251204	991238252204	38x1.20	25x1.20	114.30	57.15	134.30	34.93
38x38	991238001204	991238002204	38x1.20	38x1.20	114.30	57.15	134.30	34.93
50x12	991250121204	991250122204	51x1.20	12.7x1.65	152.40	76.20	154.00	41.28
50x19	991250191204	991250192204	51x1.20	19.05x1.65	152.40	76.20	154.00	41.28
50x25	991250251204	991250252204	51x1.20	25x1.20	152.40	76.20	154.00	41.28
50x38	991250381204	991250382204	51x1.20	38x1.20	152.40	76.20	154.00	41.28
50x50	991250001204	991250002204	51x1.20	51x1.20	152.40	76.20	154.00	41.28
63x12	991263121204	991263122204	63.5x1.60	12.7x1.65	190.50	95.25	166.05	47.63
63x19	991263191204	991263192204	63.5x1.60	19.05x1.65	190.50	95.25	166.05	47.63
63x25	991263251204	991263252204	63.5x1.60	25x1.20	190.50	95.25	166.05	47.63
63x38	991263381204	991263382204	63.5x1.60	38x1.20	190.50	95.25	166.05	47.63
63x50	991263501204	991263502204	63.5x1.60	51x1.20	190.50	95.25	166.05	47.63
63x63	991263001204	991263002204	63.5x1.60	63.5x1.60	190.50	95.25	166.05	47.63
76x12	991276121204	991276122204	76.1x1.60	12.7x1.65	228.60	114.30	185.10	53.98
76x19	991276191204	991276192204	76.1x1.60	19.05x1.65	228.60	114.30	185.10	53.98
76x25	991276251204	991276252204	76.1x1.60	25x1.20	228.60	114.30	185.10	53.98
76x38	991276381204	991276382204	76.1x1.60	38x1.20	228.60	114.30	185.10	53.98
76x50	991276501204	991276502204	76.1x1.60	51x1.20	228.60	114.30	185.10	53.98
76x63	991276631204	991276632204	76.1x1.60	63.5x1.60	228.60	114.30	185.10	53.98
76x76	991276001204	991276002204	76.1x1.60	76.2x1.60	228.60	114.30	185.10	53.98

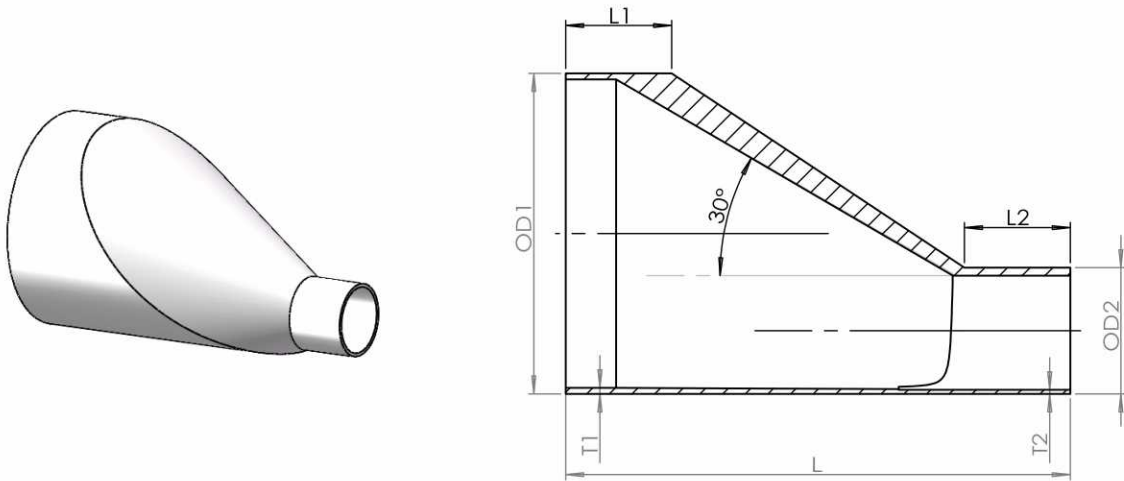


焊式U型三通 Automatic Weld: 180° Return-Bend Tee

SIZE	SF1 Ra≤0.5	SF4 Ra≤0.4	OD1xT1 (mm)	OD2xT2 (mm)	A (mm)	B (mm)	C (mm)	D (mm)
25x12	991125121204	991125122204	25x1.20	12.7x1.65	76.20	38.10	96.20	34.70
25x19	991125191204	991125192204	25x1.20	19.05x1.65	76.20	38.10	96.20	34.70
25x25	991125001204	991125002204	25x1.20	25x1.20	76.20	38.10	96.20	34.70
38x12	991138121204	991138122204	38x1.20	12.7x1.65	114.30	57.15	134.30	41.05
38x19	991138191204	991138192204	38x1.20	19.05x1.65	114.30	57.15	134.30	41.05
38x25	991138251204	991138252204	38x1.20	25x1.20	114.30	57.15	134.30	41.05
38x38	991138381204	991138382204	38x1.20	38x1.20	114.30	57.15	134.30	41.05
50x12	991150121204	991150122204	51x1.20	12.7x1.65	152.40	76.20	154.00	52.40
50x19	991150191204	991150192204	51x1.20	19.05x1.65	152.40	76.20	154.00	52.40
50x25	991150251204	991150252204	51x1.20	25x1.20	152.40	76.20	154.00	52.40
50x38	991150381204	991150382204	51x1.20	38x1.20	152.40	76.20	154.00	52.40
50x50	991150001204	991150002204	51x1.20	51x1.20	152.40	76.20	154.00	52.40
63x12	991163121204	991163122204	63.5x1.60	12.7x1.65	190.50	95.25	166.05	58.75
63x19	991163191204	991163192204	63.5x1.60	19.05x1.65	190.50	95.25	166.05	58.75
63x25	991163251204	991163252204	63.5x1.60	25x1.20	190.50	95.25	166.05	58.75
63x38	991163381204	991163382204	63.5x1.60	38x1.20	190.50	95.25	166.05	58.75
63x50	991163501204	991163502204	63.5x1.60	51x1.20	190.50	95.25	166.05	58.75
63x63	991163001204	991163002204	63.5x1.60	63.5x1.60	190.50	95.25	166.05	58.75
76x12	991176121204	991176122204	76.1x1.60	12.7x1.65	228.60	114.30	185.10	65.10
76x19	991176191204	991176192204	76.1x1.60	19.05x1.65	228.60	114.30	185.10	65.10
76x25	991176251204	991176252204	76.1x1.60	25x1.20	228.60	114.30	185.10	65.10
76x38	991176381204	991176382204	76.1x1.60	38x1.20	228.60	114.30	185.10	65.10
76x50	991176501204	991176502204	76.1x1.60	51x1.20	228.60	114.30	185.10	65.10
76x63	991176631204	991176632204	76.1x1.60	63.5x1.60	228.60	114.30	185.10	65.10
76x76	991176001204	991176002204	76.1x1.60	76.1x1.60	228.60	114.30	185.10	65.10

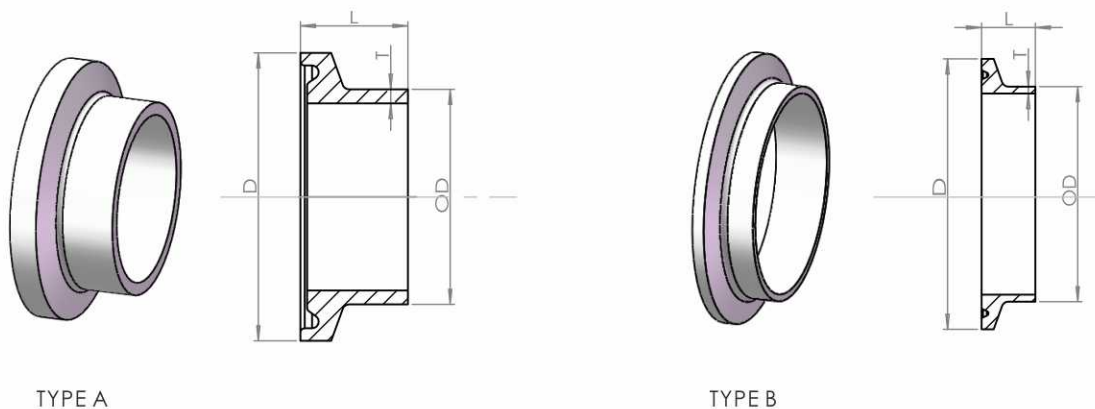

焊式同心大小头 Automatic Weld: Concentric Reducer

SIZE	MP Ra≤0.5	EP Ra≤0.4	OD1xT1 (mm)	OD2xT2 (mm)	L (mm)	L1 (mm)	L2 (mm)
19x12	693319121204	693319122204	19.05x1.65	12.7x1.65	53.98	25.40	25.40
25x12	993325121204	993325122204	25x1.20	12.7x1.65	63.50	25.40	25.40
25x19	993325191204	993325192204	25x1.20	19.05x1.65	53.98	25.40	25.40
38x19	993338191204	993338192204	38x1.20	19.05x1.65	76.20	25.40	25.40
38x25	993338251204	993338252204	38x1.20	25x1.20	63.50	25.40	25.40
50x25	993350251204	993350252204	51x1.20	25x1.20	85.73	25.40	25.40
50x38	993350381204	993350382204	51x1.20	38x1.20	63.50	25.40	25.40
63x38	993363381204	993363382204	63.5x1.60	38x1.20	85.73	25.40	25.40
63x50	993363501204	993363502204	63.5x1.60	51x1.20	63.50	25.40	25.40
76x38	993376381204	993376382204	76.1x1.60	38x1.20	107.95	38.10	25.40
76x50	993376501204	993376502204	76.1x1.60	51x1.20	85.73	38.10	25.40
76x63	993376631204	993376632204	76.1x1.60	63.5x1.60	66.68	38.10	25.40
101x50	993301501204	993301502204	101.6x2.00	51x1.20	130.18	38.10	25.40
101x63	993301631204	993301632204	101.6x2.00	63.5x1.60	107.95	38.10	25.40
101x76	993301761204	993301762204	101.6x2.00	76.1x1.60	98.43	38.10	38.10

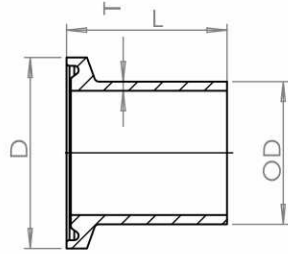
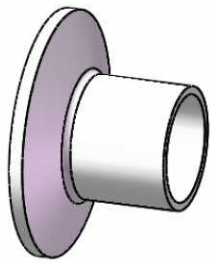


焊式偏心大小头 Automatic Weld: Eccentric Reducer

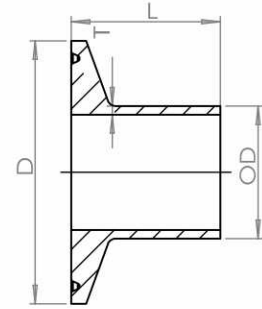
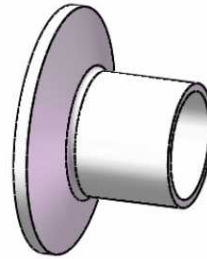
SIZE	MP Ra≤0.5	EP Ra≤0.4	OD1xT1 (mm)	OD2xT2 (mm)	L (mm)	L1 (mm)	L2 (mm)
19x12	693619121204	693619122204	19.05x1.65	12.7x1.65	53.98	25.40	25.40
25x12	993625121204	993625122204	25x1.20	12.7x1.65	63.50	25.40	25.40
25x19	993625191204	993625192204	25x1.20	19.05x1.65	53.98	25.40	25.40
38x19	993638191204	993638192204	38x1.20	19.05x1.65	76.20	25.40	25.40
38x25	993638251204	993638252204	38x1.20	25x1.20	63.50	25.40	25.40
50x25	993650251204	993650252204	51x1.20	25x1.20	85.73	25.40	25.40
50x38	993650381204	993650382204	51x1.20	38x1.20	63.50	25.40	25.40
63x38	993663381204	993663382204	63.5x1.60	38x1.20	85.73	25.40	25.40
63x50	993663501204	993663502204	63.5x1.60	51x1.20	63.50	25.40	25.40
76x38	993676381204	993676382204	76.1x1.60	38x1.20	107.95	38.10	25.40
76x50	993676501204	993676502204	76.1x1.60	51x1.20	85.73	38.10	25.40
76x63	993676631204	993676632204	76.1x1.60	63.5x1.60	66.68	38.10	25.40
101x50	993601501204	993601502204	101.6x2.00	51x1.20	130.18	38.10	25.40
101x63	993601631204	993601632204	101.6x2.00	63.5x1.60	107.95	38.10	25.40
101x76	993601761204	993601762204	101.6x2.00	76.1x1.60	98.43	38.10	38.10


接头 Ferrule

SIZE	MP Ra≤0.5	EP Ra≤0.4	ODxT (mm)	L (mm)	D (mm)	类型
1/2"	684112001204	684112002204	12.7x1.65	12.70	25.00	TYPE A
3/4"	684119001204	684119002204	19.05x1.65	12.70	25.00	TYPE A
φ 25	984125001204	984125002204	25x1.20	12.70	50.39	TYPE B
φ 38	984138001204	984138002204	38x1.20	12.70	50.39	TYPE B
φ 51	984150001204	984150002204	51x1.20	12.70	63.91	TYPE B
φ 63.5	984163001204	984163002204	63.5x1.60	12.70	77.39	TYPE B
φ 76.1	984176001204	984176002204	76.1x1.60	12.70	90.91	TYPE B
φ 101.6	984101001204	984101002204	101.6x2.00	15.88	118.92	TYPE B



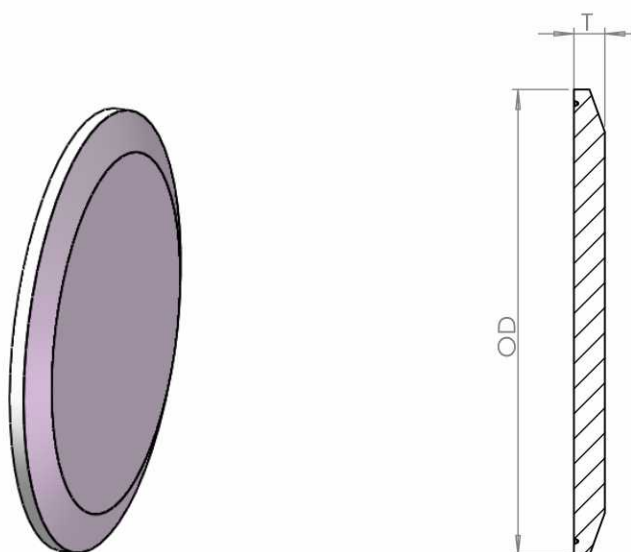
TYPE A



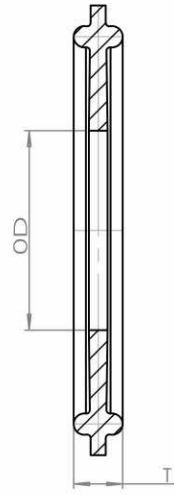
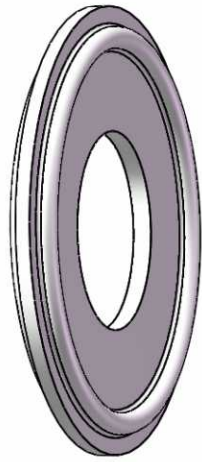
TYPE B

长焊接头 Automatic Weld: Ferrule

SIZE	MP Ra≤0.5	EP Ra≤0.4	OD×T (mm)	L (mm)	D (mm)	类型
1/2"	684312001204	684312002204	12.70×1.65	28.58	25.00	TYPE A
3/4"	684319001204	684319002204	19.05×1.65	28.58	25.00	TYPE A
φ25	984325001204	984325002204	25×1.20	28.58	50.39	TYPE B
φ38	984338001204	984338002204	38×1.20	28.58	50.39	TYPE B
φ51	984350001204	984350002204	51×1.20	28.58	63.91	TYPE B
φ63.5	984363001204	984363002204	63.5×1.60	28.58	77.39	TYPE B
φ76.1	984376001204	984376002204	76.1×1.60	28.58	90.91	TYPE B
φ101.6	984301001204	984301002204	101.6×2.00	28.58	118.92	TYPE B

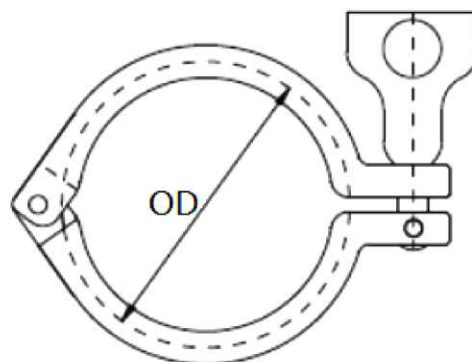
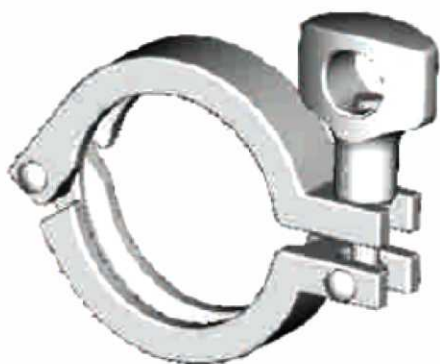

阀板 Clamp Joint: Solid End Cap

SIZE	MP Ra≤0.5	EP Ra≤0.4	T (mm)	OD (mm)
1/2"	684712001204	684712002204	6.35	25.00
3/4"	684719001204	684719002204	6.35	25.00
φ 25	984725001204	984725002204	6.35	50.40
φ 38	984738001204	984738002204	6.35	50.40
φ 51	984750001204	984750002204	6.35	63.91
φ 63.5	984763001204	984763002204	6.35	77.50
φ 76.1	984776001204	984776002204	6.35	90.90
φ 101.6	984701001204	984701002204	7.90	118.92



垫片 Gasket

SIZE	产品编号 (EPDM)	产品编号 (PTFE)	OD (mm)	T (mm)
1/2"	628412000015	628412000018	9.40	4.50
3/4"	628419000015	628419000018	15.75	4.50
φ 25	928425000015	928425000018	22.60	5.50
φ 38	928438000015	928438000018	35.60	5.50
φ 51	928450000015	928450000018	48.60	5.50
φ 63.5	928463000015	928463000018	59.80	5.50
φ 76.1	928476000015	928476000018	72.90	5.50
φ 101.6	928401000015	928401000018	97.60	5.50


卡箍 Clamp Ring

SIZE	产品编码	OD (mm)
1/2"	698512000001	28.60
3/4"	698519000001	28.60
φ 25	998525000001	54.00
φ 38	998538000001	54.00
φ 51	998550000001	67.40
φ 63.0	998563000001	80.90
φ 76.1	998576000001	94.40
φ 101.6	998501000001	122.40



高洁净Hygienic

勇敢而来

TO BE BRAVE

与您共进

TO BE WITH YOU

Contact

联系我们



张先生 18261407712



wade.zhang@hjl.group



南通市海门区富江北路1599号

No.1599, Fujiang North Road, Haimeng District, Nangtong